



# RAM<sup>®</sup> MOUNTS

Powersports



# About RAM® Mounts

RAM® Mounts manufactures rugged and versatile mounting systems for cameras, tablets and other mobile devices that can be attached nearly anywhere. Unlike other mounts on the market, RAM® allows you to mount items where you need them most. The unique design of the RAM® Mounts system provides quick installation, adjustability, strength, vibration dampening and durability—all at a low cost. RAM® uses powder-coated marine-grade aluminum with lightweight and high-strength composites, stainless steel hardware and rubber balls. RAM® Mounts are made in the USA and backed by a lifetime warranty.

## The RAM® Difference



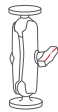
### Made in the USA

Designed and manufactured in Seattle, Washington



### Lifetime Warranty

RAM® products are backed by a lifetime warranty against manufacturer's defects for decades of worry-free use



### Modular Design

The rubber ball and socket design offers a secure hold with vibration dampening and component interchangeability



### Designed & Developed In-House

Each RAM® Mount is designed in-house using the most advanced industry techniques



# Our Partners

Here at RAM® Mounts, we believe that unfathomable things are possible with ingenuity. With a portfolio of over 5,000 SKUs paired with innovative engineers and in-house product experts, we have the tools and expertise needed to create solutions that you didn't know were possible. We have the ability to solve your mounting challenges quickly, efficiently and cost effectively.

No matter your company's size, you can trust RAM® Mounts to deliver ingenious solutions that do exactly what you need them to do.





# Table of Contents

5 How It Works

6 Build a Mount

7 Popular Mounting Locations

11 Bases

27 Arms

29 Arm Accessories

31 Device Holders & Adapters

43 Power Accessories

45 Scooters

46 ATV/Side-by-Sides

47 Dirt Bikes

48 Snowmobiles



# How It Works

1

## Choose a Device Adapter

RAM® offers a wide selection of adapters and cradles for your specific device.

2

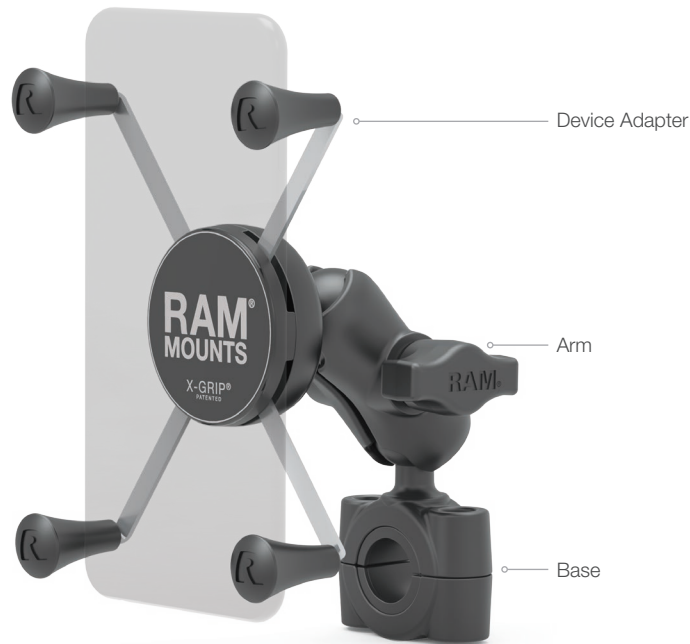
## Choose an Arm

Select an arm based on your desired length and placement.

3

## Choose a Base

Select from a variety of bases to help secure your device where you need it.



## Modular Solutions for Every Use

### Slip Resistant

The marine-grade aluminum and composite arm provides a strong hold that reduces slip on the rubber ball

### Guaranteed

RAM® Mounts offers a lifetime warranty on all mounting hardware

### Made in the USA

Designed and manufactured in the USA using the highest quality materials

### Vibration Dampening

The rubber ball absorbs the impact of the road, providing shock and vibration dampening

### Adjustable

With nearly 360 degrees of articulation, each product may be adjusted to any angle with the turn of a single knob

# Build a Mount

## 1 | Choose a Device Adapter



**RAM-HOL-UN7B**  
RAM® X-Grip® Holder for  
Phones up to 3.25" Wide



**RAM-HOL-UN10B**  
RAM® X-Grip® Holder for  
Phones up to 4.5" Wide



**RAP-B-202-GOP1**  
Action Camera Ball Adapter



**RAP-B-417B**  
RAM® Level Cup™ XL

## 2 | Choose an Arm



**RAM-B-201-A**  
2.42" Short Socket Arm



**RAM-B-201**  
3.73" Medium Socket Arm



**RAM-B-201U-C**  
6" Long Socket Arm



**RAM-B-200-12U**  
4.25" Socket Swivel Arm

## 3 | Choose a Base



**RAM-B-408-75-1**  
.75" - 1" Handlebar  
RAM® Torque™ Base



**RAM-B-309-7**  
Brake/Clutch Reservoir Base

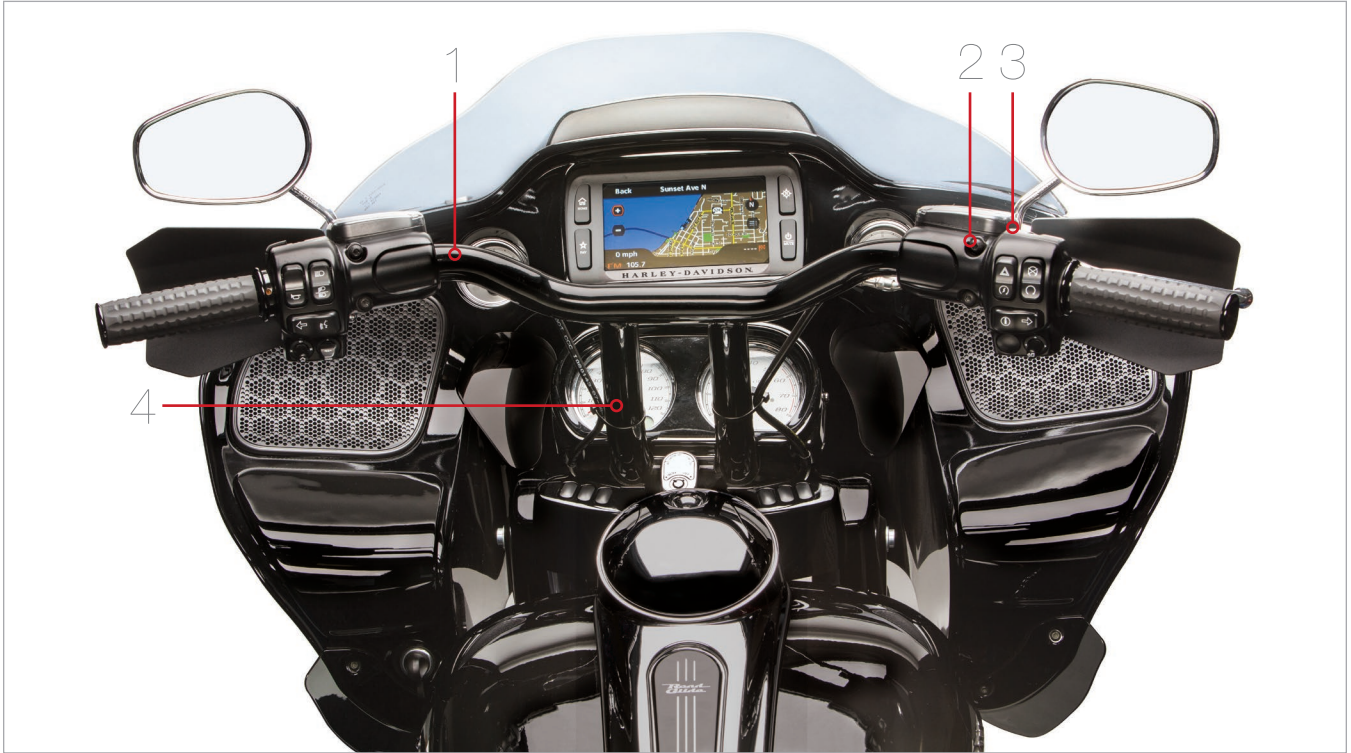


**RAM-B-342**  
Center Fork Stem Base



**RAM-B-231Z**  
.5" - 1.25" Handlebar U-Bolt Base

# Popular Mounting Locations



1

2

3

4



RAM® Torque™ Base  
pg. 12



Brake/Clutch Reservoir Base  
pg. 16



RAM® Tough-Ball™ Base  
pg. 26



U-Bolt Handlebar Base  
pg. 14



# Popular Mounting Locations



1



Threaded Ball Adapter  
pg. 25

2



Small RAM® Tough-Claw™ Base  
pg. 20

3



Handlebar Clamp Base  
pg. 21

# Popular Mounting Locations



1

2

3



RAM® Torque™ Base  
pg. 12

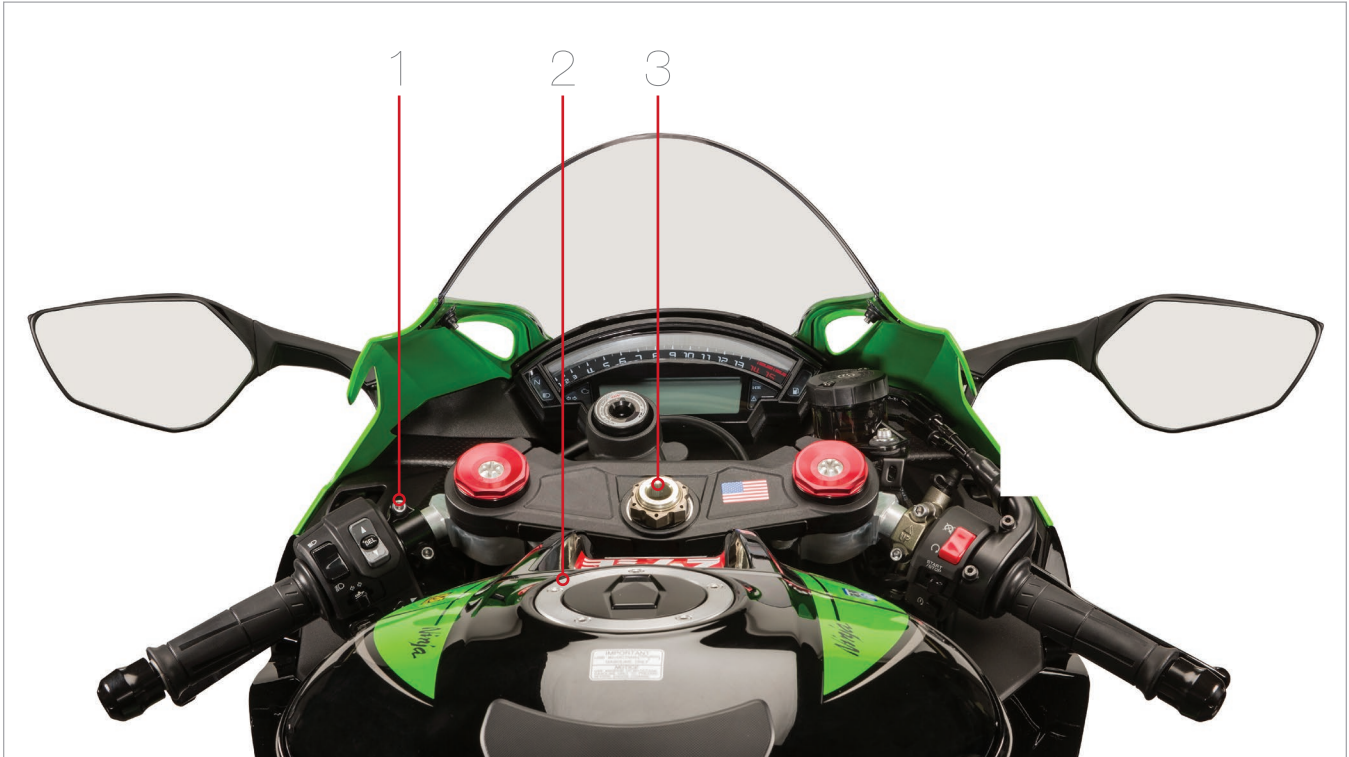


Bolt Head Flat Base  
pg. 22



Reservoir Cover Base  
pg. 24

# Popular Mounting Locations



1

2

3



Brake/Clutch Reservoir Base  
pg. 16



Gas Tank Base  
pg. 23



Fork Stem Base  
pg. 18

---

# Bases



Seen in this photo:  
RAM-B-408-75-1-UN7, RAM® Torque™ Handlebar/Rail Mount with RAM® X-Grip® Phone Holder (shown with Samsung Galaxy S5)

# Bases

## RAM® Torque™ Handlebar Base

RAM® Mounts Torque™ bases fit a variety of rail and bar sizes for secure placement of your device. Sizing inserts create a tight hold while protecting the bar, and the cast aluminum mount is available with a 1" or 1.5" rubber ball that attaches to a RAM® arm. Mount your GPS unit, camera, phone or tablet to handlebars, roll cages or even mirror posts.

| Part Number      | Diameter Range | Ball Size |
|------------------|----------------|-----------|
| RAM-B-408-37-62  | .375" - .625"  | 1" (B)    |
| RAM-B-408-75-1   | .75" - 1"      | 1" (B)    |
| RAM-B-408-112-15 | 1.125" - 1.5"  | 1" (B)    |
| RAM-408-75-1     | .75" - 1"      | 1.5" (C)  |
| RAM-408-112-15   | 1.125" - 1.5"  | 1.5" (C)  |



RAM-B-408-75-1



RAM-408-112-15

## Popular Kits

Utilize the RAM® Torque™ handlebar base to mount a number of devices with the RAM® X-Grip® and action camera adapter, or even a drink with the RAM® Level Cup™ and RAM® Level Cup™ XL.

| Part Number              | Device                   | Diameter Range | Socket Arm Length |
|--------------------------|--------------------------|----------------|-------------------|
| RAM-B-408-37-62-A-UN7    | Phones up to 3.25" Wide  | .375" - .625"  | Short (2.42")     |
| RAM-B-408-37-62-UN7      | Phones up to 3.25" Wide  | .375" - .625"  | Medium (3.73")    |
| RAM-B-408-37-62-A-UN10   | Phones up to 4.5" Wide   | .375" - .625"  | Short (2.42")     |
| RAM-B-408-37-62-UN10     | Phones up to 4.5" Wide   | .375" - .625"  | Medium (3.73")    |
| RAM-B-408-75-1-A-UN7     | Phones up to 3.25" Wide  | .75" - 1"      | Short (2.42")     |
| RAM-B-408-75-1-UN7       | Phones up to 3.25" Wide  | .75" - 1"      | Medium (3.73")    |
| RAM-B-408-75-1-A-UN10    | Phones up to 4.5" Wide   | .75" - 1"      | Short (2.42")     |
| RAM-B-408-75-1-UN10      | Phones up to 4.5" Wide   | .75" - 1"      | Medium (3.73")    |
| RAM-B-408-75-1-A-GOP1U   | Action Cameras (2-Prong) | .75" - 1"      | Short (2.42")     |
| RAM-B-408-75-1-A-132U    | 16oz Drinks              | .75" - 1"      | Short (2.42")     |
| RAM-B-408-75-1-A-417     | 32oz Drinks              | .75" - 1"      | Short (2.42")     |
| RAM-B-408-112-15-UN7     | Phones up to 3.25" Wide  | 1.125" - 1.5"  | Medium (3.73")    |
| RAM-B-408-112-15-A-UN10  | Phones up to 4.5" Wide   | 1.125" - 1.5"  | Short (2.42")     |
| RAM-B-408-112-15-UN10    | Phones up to 4.5" Wide   | 1.125" - 1.5"  | Medium (3.73")    |
| RAM-B-408-112-15-A-GOP1U | Action Cameras (2-Prong) | 1.125" - 1.5"  | Short (2.42")     |
| RAM-B-408-112-15-A-132U  | 16oz Drinks              | 1.125" - 1.5"  | Short (2.42")     |
| RAM-B-408-112-15-A-UN7   | Phones up to 3.25" Wide  | 1.125" - 1.5"  | Short (2.42")     |



RAM-B-408-75-1-A-UN7



RAM-B-408-112-15-A-UN10



RAM-B-408-75-1-A-417



RAM-B-408-112-15-A-GOP1U

## Bases



Seen in this photo:  
RAM-B-149Z-GOP1, U-Bolt Handlebar Mount with Universal Action Camera Adapter (shown with GoPro® HERO 5)

# Bases

## U-Bolt Handlebar Base

This base has a 1" diameter rubber ball designed to sit at right angles on the mounting rail. The zinc-coated and stainless steel U-bolts accommodate rails from .5" to 1.25" in diameter. Black caps are included to cover the exposed ends of the U-bolt and a composite adapter can narrow the minimum diameter of the rail to .5".

| Part Number    | Diameter Range | Color  | Hardware        |
|----------------|----------------|--------|-----------------|
| RAM-B-231Z     | .5" - 1.25"    | Black  | Zinc            |
| RAM-B-231      | .5" - 1"       | Black  | Stainless Steel |
| RAM-B-231-1U   | 1" - 1.25"     | Black  | Stainless Steel |
| RAM-B-231CH    | .5" - 1"       | Chrome | Stainless Steel |
| RAM-B-231-1CHU | 1" - 1.25"     | Chrome | Stainless Steel |



RAM-B-231Z



RAM-B-231CH

## Popular Kits

The U-Bolt handlebar base is an ideal solution to support the RAM® X-Grip® for phones, universal and Garmin VIRB action camera adapters, the Magnetic RAM® Power Plate™ III for radar detectors, and much more.

| Part Number        | Device                   | Socket Arm Length |
|--------------------|--------------------------|-------------------|
| RAM-B-149Z-A-UN7U  | Phones up to 3.25" Wide  | Short (2.42")     |
| RAM-B-149Z-UN7     | Phones up to 3.25" Wide  | Medium (3.73")    |
| RAM-B-149Z-A-UN10U | Phones up to 4.5" Wide   | Short (2.42")     |
| RAM-B-149Z-UN10    | Phones up to 4.5" Wide   | Medium (3.73")    |
| RAM-B-231Z-A-366U  | Action Cameras (1/4"-20) | Short (2.42")     |
| RAM-B-231Z-366     | Action Cameras (1/4"-20) | Medium (3.73")    |
| RAM-B-149Z-A-GOP1  | Action Cameras (2-Prong) | Short (2.42")     |

| Part Number       | Device                    | Socket Arm Length |
|-------------------|---------------------------|-------------------|
| RAM-B-149Z-GOP1   | Action Cameras (2-Prong)  | Medium (3.73")    |
| RAM-B-149Z-GA63U  | Garmin VIRB Camera        | Medium (3.73")    |
| RAM-B-132R        | 16oz Drinks               | Medium (3.73")    |
| RAM-B-149Z-PD3    | Phones (RAM® Quick-Grip™) | Medium (3.73")    |
| RAM-B-149Z-UN4    | Radios                    | Medium (3.73")    |
| RAM-B-149Z-300-1U | Radar Detectors           | Medium (3.73")    |
| RAM-B-149Z-GUN1   | Gun Holsters              | Medium (3.73")    |



RAM-B-149Z-A-UN7U



RAM-B-149Z-UN10



RAM-B-149Z-A-GOP1



RAM-B-149Z-300-1U

## Bases



Seen in this photo:  
RAM-B-174-UN7, Brake/Clutch Reservoir Mount with RAM® X-Grip® Phone Holder (shown with Apple iPhone 7)



# Bases

## Brake/Clutch Reservoir Base

The combination handlebar and brake/clutch reservoir base provides the ultimate flexibility for mounting your device to your motorcycle. The kit contains standard and metric threaded stainless bolts as well as zinc-coated metal U-bolts accommodating rails from .5" to 1.25" in diameter.

| Part Number   | Color  | Notes                                 |
|---------------|--------|---------------------------------------|
| RAM-B-309-1   | Black  | Single Ball                           |
| RAM-B-309-1CH | Chrome | Single Ball                           |
| RAM-B-309-2CH | Chrome | Double Ball                           |
| RAM-B-309-6U  | Black  | Double Ball                           |
| RAM-B-309-7   | Black  | Single Ball, optional U-Bolt hardware |



## Popular Kits

With the Brake/Clutch Reservoir Base, keep your phone, action camera or even LED spotlight at your fingertips with the following compatible kits.

| Part Number       | Device                   | Socket Arm Length |
|-------------------|--------------------------|-------------------|
| RAM-B-174-A-UN7   | Phones up to 3.25" Wide  | Short (2.42")     |
| RAM-B-174-UN7     | Phones up to 3.25" Wide  | Medium (3.73")    |
| RAM-B-174-A-UN10U | Phones up to 4.5" Wide   | Short (2.42")     |
| RAM-B-174-UN10    | Phones up to 4.5" Wide   | Medium (3.73")    |
| RAM-B-174-366     | Action Cameras (1/4"-20) | Medium (3.73")    |
| RAM-B-174-A-GOP1U | Action Cameras (2-Prong) | Short (2.42")     |
| RAM-B-174-GOP1    | Action Cameras (2-Prong) | Medium (3.73")    |

| Part Number      | Device             | Socket Arm Length |
|------------------|--------------------|-------------------|
| RAM-B-174-GA63U  | Garmin VIRB Camera | Medium (3.73")    |
| RAM-B-174-A-132  | 16oz Drinks        | Short (2.42")     |
| RAM-B-132-309    | 16oz Drinks        | Medium (3.73")    |
| RAM-B-174-A-417  | 32oz Drinks        | Short (2.42")     |
| RAM-B-174-UN4    | Radios             | Medium (3.73")    |
| RAM-B-174-300-1U | Radar Detectors    | Medium (3.73")    |
| RAM-B-174-152    | LED Spotlight      | Medium (3.73")    |



## Bases



Seen in this photo:  
RAM-B-342, Fork Stem Base  
RAM-B-201-A, Short Double Socket Arm  
RAP-B-202-GOP1, Universal Action Camera Adapter (shown with GoPro® HERO 5)

# Bases

## Fork Stem Base

The fork stem base is designed to fit and expand into the cylindrical bore wall of fork stems and will work with stems that measure 12 to 33mm (.5" to 1.29") in diameter. The base is made of powder-coated, marine grade aluminum and includes a 1" diameter rubber ball.



RAM-B-342

## Popular Kits

Whether you need to mount your phone, action camera or radio, you'll find a compatible kit to get the job done. Secure your device with the RAM® X-Grip®, action camera adapter or RAM® Finger-Grip™.

| Part Number       | Device                   | Socket Arm Length |
|-------------------|--------------------------|-------------------|
| RAM-B-176-A-UN7   | Phones up to 3.25" Wide  | Short (2.42")     |
| RAM-B-176-A-UN10U | Phones up to 4.5" Wide   | Short (2.42")     |
| RAM-B-342-366     | Action Cameras (1/4"-20) | Medium (3.73")    |
| RAM-B-176-GOP1    | Action Cameras (2-Prong) | Medium (3.73")    |
| RAM-B-176-UN4     | Radios                   | Medium (3.73")    |



RAM-B-176-A-UN7



RAM-B-176-A-UN10U



RAM-B-176-GOP1



RAM-B-176-UN4

## Bases



Seen in this photo:  
RAM-B-400-A-HOL-UN10BU, RAM® Tough-Claw™ Mount With Short Arm and RAM® X-Grip® Phone Holder (shown with Apple iPhone 7 Plus)

# Bases

## RAM® Tough-Claw™

The RAM® Mounts Tough-Claw™ is the perfect mounting base for quick installation and removal on round, square and odd-shaped rails and bars – such as handlebars or roll cages. The RAM® Tough-Claw™ can be clamped on rails from .625" to 2.25" in diameter, making this an ideal solution for mounting tablets, action cameras, phones and much more.



## Popular Kits

There are a wide variety of kits available for the versatile and durable RAM® Tough-Claw™, allowing users to take advantage of the RAM® X-Grip® phone cradle, RAM® Level Cup™ and RAM® Level Cup™ XL drink holders, and the RAM® EZ-Roll'r™ cradle for OtterBox uniVERSE cases.

| Part Number            | Device                                   | Socket Arm Length |
|------------------------|--|-------------------|
| RAM-HOL-UN7-400        | Phones up to 3.25" Wide                  | n/a (Low Profile) |
| RAM-B-400-A-HOL-UN7BU  | Phones up to 3.25" Wide                  | Short (2.42")     |
| RAM-B-400-UN7          | Phones up to 3.25" Wide                  | Medium (3.73")    |
| RAM-B-400-C-UN7U       | Phones up to 3.25" Wide                  | Long (6")         |
| RAM-HOL-UN10-400       | Phones up to 4.5" Wide                   | n/a (Low Profile) |
| RAM-B-400-A-HOL-UN10BU | Phones up to 4.5" Wide                   | Short (2.42")     |
| RAM-B-400-C-UN10U      | Phones up to 4.5" Wide                   | Long (6")         |
| RAM-B-400-OT2U         | Apple iPhone with OtterBox uniVERSE Case | Medium (3.73")    |
| RAM-B-400-A-366U       | Action Cameras (1/4"-20)                 | Short (2.42")     |

| Part Number       | Device                   | Socket Arm Length |
|-------------------|--------------------------|-------------------|
| RAM-B-404-A-366U  | Action Cameras (1/4"-20) | Short (2.42")     |
| RAM-B-404-366U    | Action Cameras (1/4"-20) | Medium (3.73")    |
| RAM-B-400-A-GOP1U | Action Cameras (2-Prong) | Short (2.42")     |
| RAP-B-400-GOP1    | Action Cameras (2-Prong) | Medium (3.73")    |
| RAP-B-404-GOP1U   | Action Cameras (2-Prong) | Medium (3.73")    |
| RAP-B-400-GA63U   | Garmin VIRB Camera       | Medium (3.73")    |
| RAM-B-132-400     | 16oz Drinks              | n/a (Low Profile) |
| RAP-B-417-400     | 32oz Drinks              | n/a (Low Profile) |
| RAM-B-152-404     | LED Spotlight            | Medium (3.73")    |



# Bases

## Handlebar Clamp Base

This 1" rubber ball base will replace an M8 by 25mm, 30mm or 35mm handlebar bolt. To determine compatibility, measure the bolt length and add 30mm to the length. Screw the ball base onto the handlebar top clamp using one of three included 1.25mm thread pitch bolts: M8 x 55mm, M8 x 60mm and M8 x 65mm.



## Popular Kits

The Handlebar Clamp Base provides an excellent attachment point for the RAM® X-Grip® cradle, allowing you to easily secure your phone while on the road. Available in both standard and large sizes.



Seen in these photos:  
RAM-B-367, Handlebar Clamp Base  
RAM-B-201-A, Short Double Socket Arm  
RAM-HOL-UN7B, RAM® X-Grip® Phone Holder (shown with Samsung Galaxy S5)

# Bases

## Bolt Head Adapter Bases

The versatile flat base – with a bolt-down area of 2.25" x .875" x .2" – includes a 1" diameter rubber ball and an 11mm hole. The angled base version also includes a 1" diameter rubber ball and a 9mm hole, and a bolt-down area of 1.18" x .75" x .2". Both bolt head adapter bases are often attached to the mirror frame and fit well on exposed bolts.

Flat Base



**RAM-B-252**  
2.25" x .875" Plate 11mm Hole

Angled Base



**RAM-B-272**  
1.125" x .75" Plate 9mm Hole



Seen in this photo:  
RAM-B-252, Bolt Head Flat Base  
RAM-B-201-A, Short Double Socket Arm  
RAP-B-202-GOP1, Universal Action Camera Adapter (shown with GoPro® HERO 5)

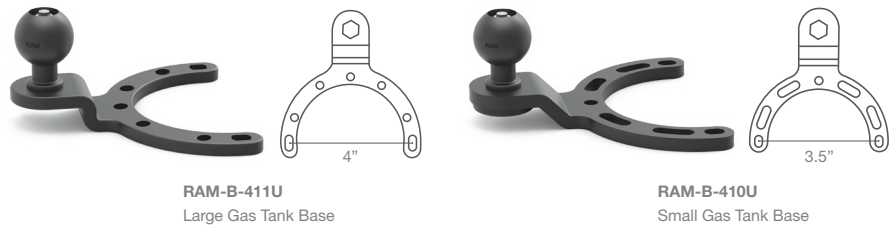


Seen in this photo:  
RAM-B-272, Bolt Head Flat Base  
RAM-B-201-A, Short Double Socket Arm  
RAP-B-202-GOP1, Universal Action Camera Adapter (shown with GoPro® HERO 5)

# Bases

## Gas Tank Base

This base is a low-profile way to get a unique perspective from your action camera or to attach your device where it can be easily accessed. Hardware is included for mounting to the fill port for stock tanks on most popular makes, such as BMW, Honda, Kawasaki, Suzuki and Yamaha.



## Popular Kits

Securing your phone or action camera using the gas tank base is made easy with these kits. Both the RAM® X-Grip® and action camera adapter are available for the small and large versions of the gas tank base.

| Part Number        | Device                   | Gas Tank Size |
|--------------------|--------------------------|---------------|
| RAM-B-410-A-UN7B   | Phones up to 3.25" Wide  | Small         |
| RAM-B-411-A-UN7B   | Phones up to 3.25" Wide  | Large         |
| RAM-B-410-A-UN10BU | Phones up to 4.5" Wide   | Small         |
| RAM-B-411-A-UN10BU | Phones up to 4.5" Wide   | Large         |
| RAM-B-410-A-GOP1U  | Action Cameras (2-Prong) | Small         |
| RAM-B-411-A-GOP1U  | Action Cameras (2-Prong) | Large         |



RAM-B-410-A-UN7B



RAM-B-411-A-UN10BU



RAM-B-410-A-GOP1U



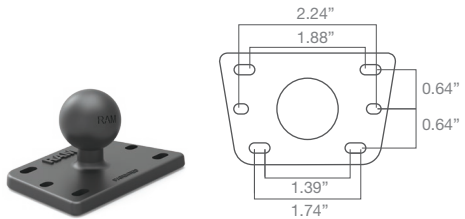
Seen in this photo:  
RAM-B-410-A-UN10BU, Small Gas Tank Mount with RAM® X-Grip® Phone Holder (shown with Apple iPhone 6+)



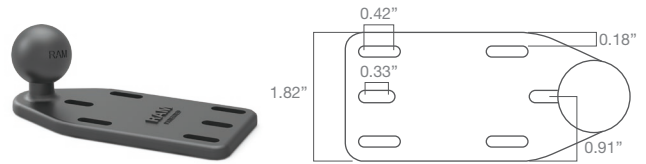
# Bases

## Reservoir Cover Base

These bases fit over your existing brake/clutch reservoir cover with either a 1" offset ball or a 1" center ball. The plate dimensions for the center ball base measure 2.87" x 1.82", compared to 4" x 1.82" for the offset ball base.



**RAM-B-345**  
Center Ball Base



**RAM-B-346**  
Offset Ball Base



Seen in this photo:  
RAM-B-346, Offset Reservoir Cover Base  
RAM-B-201, Medium Double Socket Arm  
RAM-B-202, AMPS Round Device Adapter  
RAP-300-1, RAM® Power Plate™ III Radar Detector Holder (shown with Valentine One)

# Bases

## Threaded Ball Adapters

Take advantage of your unused mirror sockets with these threaded bases, available with a M10 x 1.25 pitch male thread or a M10 x 1.5 pitch male thread. Both bases feature a RAM® B size (1") ball so you can connect a wide range of mounting solutions.



RAM-B-349  
M10 x 1.25



RAM-B-349-1U  
M10 x 1.5



Seen in this photo:  
RAM-B-349, Threaded Ball Adapter  
RAM-B-201-A, Short Double Socket Arm  
RAM-HOL-UN7B, RAM® X-Grip® Phone Holder (shown with Apple iPhone 7)

## Bases

### RAM® Twist and Tilt™

The RAM® Twist and Tilt™ threads into the stock mirror location, giving users the ability to twist the mount 360 degrees, while the 1" ball can be tilted 180 degrees. Designed to be discrete and made of die cast marine grade aluminum, this versatile pivot base provides numerous mounting possibilities.



RAM-B-360

### RAM® Tough-Ball™ for Harley Davidson

This low-profile mounting base is designed to mount directly through the mirror holes on a standard Harley-Davidson. The included barrel nut enables you to mount the ball on top or below the hand grips where the mirror holes are located, helping to ensure a clear line of sight.



RAP-B-379-HA1U



Seen in this photo:  
RAP-B-379-HA1U, RAM® Tough-Ball™ for Harley Davidson  
RAM-B-201, Medium Double Socket Arm  
RAM-B-202-GOP1, Universal Action Camera Adapter (shown with GoPro® HERO 5)

---

# Arms



Seen in this photo:  
RAM-B-309-7, Brake/Clutch Reservoir Base  
RAM-B-201, Medium Double Socket Arm  
RAM-HOL-UN7B, RAM® X-Grip® Phone Holder (shown with Apple iPhone 7)

# Arms

---

## Black Arms

Available in short, standard and long sizes, RAM® Mounts B size double socket arms accommodate 1" ball bases. RAM®'s ball and socket technology allows for near infinite adjustability.



**RAM-B-201-A**  
Overall length: 2.38"  
Socket-to-socket: 1.75"



**RAM-B-201**  
Overall length: 3.69"  
Socket-to-socket: 3"



**RAM-B-201-C**  
Overall length: 6"  
Socket-to-socket: 5.25"

---

## Chrome Arms

Almost all RAM® Mounts you've seen have likely been all black. But our chrome double socket arms – available only in B size (1") - are the perfect match for motorcycle handlebars.



**RAM-B-201-ACH**  
Overall length: 2.38"  
Socket-to-socket: 1.75"



**RAM-B-201CH**  
Overall length: 3.69"  
Socket-to-socket: 3"

---

## Swivel/Ratchet Arms

The double socket swivel arm consists of two 1" open ball sockets with a 360 degree rotation point at the center of the arm. With the multi pivot arm, a connected swivel joint rotates 180 degrees.



**RAP-B-200-12U**  
Overall length: 4.25"  
Socket-to-socket: 3.625"



**RAP-B-200-2**  
Overall length: 6.25"  
Socket-to-socket: 5.625"

---

# Arm Accessories

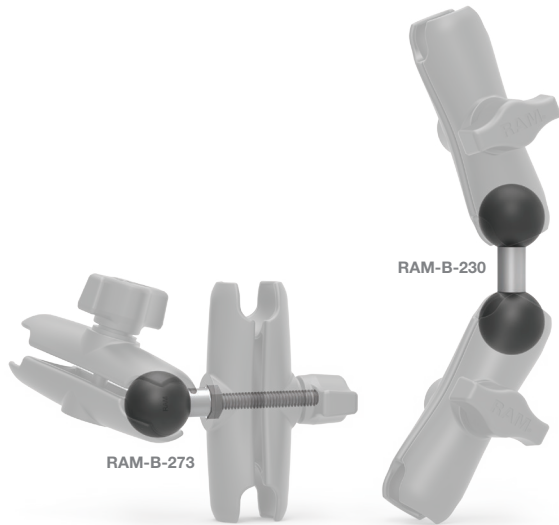


Seen in this photo:  
RAM-B-408-112-15-238U, RAM® Torque™ Handlebar Mount  
RAM-HOL-PD3, RAM® Quick-Grip™ Phone Holder  
RAM-B-273, RAM® Add-A-Ball™ Accessory  
RAM-B-201-A, Short Double Socket Arm  
RAP-B-202-GOP1, Universal Action Camera Adapter (shown with WASPcam 9905 Wi-Fi)

# Arm Accessories

## Adapters

With the RAM® Mounts Add-A-Ball™, connect another device to your existing mount by utilizing another 1" ball. To connect two arms, use the RAM® Double Ball Adapter.



## RAM® Pin-Lock™ Security Knobs

Using a female threaded security knob and key knob, the mixed combination RAM® Pin-Lock™ Security Knob can replace all knobs on B (1") and C (1.5") size arms and mounts to prevent theft and tampering of your electronics.

| Part Number | Ball Size |
|-------------|-----------|
| RAP-S-KNOB3 | 1" (B)    |
| RAP-S-KNOB5 | 1.5" (C)  |



Seen in this photo:  
 RAM-B-149Z-UN7, U-Bolt Handlebar Mount With RAM® X-Grip® Phone Holder (shown with Apple iPhone SE)  
 RAM-B-273, RAM® Add-A-Ball™ Accessory  
 RAM-B-201-A, Short Double Socket Arm  
 RAM-B-202-GA63, Garmin VIRB™ Camera Adapter

---

# Device Holders & Adapters



Seen in this photo:  
RAM-B-149Z-UN10, U-Bolt Handlebar Mount With RAM® X-Grip® Phone Holder (shown with Apple iPhone 6)



# Device Holders & Adapters

## RAM® X-Grip®

The RAM® Mounts X-Grip® keeps your device secure and accessible, whether suctioned to your windshield or drilled to your console. The unique design of the RAM® X-Grip® means it can support almost any sized phone with or without a case or sleeve.

## Tether (Included)

Ensure added peace of mind with the RAM® X-Grip® Tether, keeping your mounted device safe from excessive wind and G-force. In addition, it adds stability and vibration control when recording video.



**RAM-HOL-UN7B**  
Fits phones up to 3.25" wide



**RAM-HOL-UN10B**  
Fits phones up to 4.5" wide



**RAM-HOL-UN7TU**



Seen in this photo:  
RAM-B-149Z-UN7, U-Bolt Handlebar Mount with RAM® X-Grip® Phone Holder (shown with Samsung Galaxy S5)

# Device Holders & Adapters

## IntelliSkin® with GDS®

Keep your device charged wherever the road takes you. From IntelliSkin® sleeves to GDS® Docks, these solutions for devices from HP and Samsung can make a complete mounting and charging solution.

| Part Number         | Device                   |
|---------------------|--------------------------|
| RAM-GDS-SKIN-HP1    | HP Elite X3              |
| RAM-GDS-SKIN-SAM7U  | Samsung Galaxy S5        |
| RAM-GDS-SKIN-SAM14U | Samsung Galaxy S6        |
| RAM-GDS-SKIN-SAM22  | Samsung Galaxy S7        |
| RAM-GDS-SKIN-SAM25  | Samsung Galaxy J3 (2016) |
| RAM-GDS-SKIN-SAM28  | Samsung Galaxy S8        |
| RAM-GDS-SKIN-SAM30  | Samsung Galaxy S8+       |
| RAM-GDS-SKIN-SAM31  | Samsung Galaxy J3 (2017) |
| RAM-GDS-SKIN-SAM32  | Samsung Galaxy J7 (2017) |
| RAM-GDS-SKIN-SAM37  | Samsung Galaxy Xcover 4  |
| RAM-GDS-SKIN-SAM39  | Samsung Galaxy S9        |

| Part Number       | USB Type      |
|-------------------|---------------|
| RAM-GDS-DOCK-V1U  | Micro USB 2.0 |
| RAM-GDS-DOCK-V1CU | USB Type C    |



RAM-GDS-SKIN-SAM28



RAM-B-238  
Ball Adapter  
(sold separately)

RAM-GDS-DOCK-V1U



At Home



At Work



On the Road

# Device Holders & Adapters

## RAM® Quick-Grip™

Capable of holding a broad range of electronics, the spring-loaded grips provide a secure fit for anything from phones to GPS devices.

| Height Range  | Width Range   | Compatible Ball |
|---------------|---------------|-----------------|
| 4.75" - 5.75" | 1.25" - 3.25" | RAM-B-238       |



## Form-Fit Holders

Form-Fit cradles are a reliable holder for all of your on-the-go needs, providing smooth placement and removal of your device.

| Part Number  | Device                       | Compatible Ball |
|--------------|------------------------------|-----------------|
| RAM-HOL-AP18 | Apple iPhone 6 & 7           | RAM-B-238       |
| RAM-HOL-AP19 | Apple iPhone 6 Plus & 7 Plus | RAM-B-238       |



Seen in this photo:  
 RAM-B-408-112-15-A-238U, RAM® Torque™ Handlebar Mount  
 RAM-HOL-PD3, RAM® Quick-Grip™ Phone Holder (shown with Apple iPhone 7)

## Device Holders & Adapters



Seen in this photo:  
RAM-B-408-112-15-A-GOP1U, RAM® Torque™ Handlebar Mount With Short Double Socket Arm and Universal Action Camera Adapter (shown with GoPro® HERO 5)

# Device Holders & Adapters

## Action Camera Adapters

Capture the best photos and video possible with the help of RAM® Mounts camera ball adapters, allowing for the perfect angle and a secure hold. Constructed with the highest quality materials, the RAM® ball design dampens shock and vibration so you always get the shot.



RAP-B-202-GOP1



RAP-B-379-252025



RAP-B-202U-GOP2



RAP-B-GOP2-A-GOP1

## GoPro® Base Adapter

Specifically designed for GoPro® action cameras, this base adapter replaces the factory mount. Combine it with a RAM® Mounts arm and a two-pronged universal action camera adapter to allow for easily adjustable 360 degree rotation of your camera.



Seen in this photo:  
RAP-B-GOP2-A-GOP1, GoPro® Base Adapter With Short Double Socket Arm and Universal Action Camera Adapter (shown with Garmin VIRB® XE)

# Device Holders & Adapters

---

## RAM® Level Cup™

This self-leveling cup holder is the perfect accessory for motorcycles, ATVs and more. With two independent self-leveling hinge points that freely swivel, keep your beverage from spilling while taking any rough turns. Ideal for cans and small drinks up to 16oz.



RAM-B-132B

---

## Popular Kits

Choose the kit that works best for your desired mounting location – from dependable rail bases to the brake/clutch reservoir base.



RAM-B-132-400  
RAM® Tough-Claw™ Mount



RAM-B-406-75-1-A-132U  
RAM® Torque™ Mount



RAM-B-132R  
U-Bolt Mount



RAM-B-174-A-132  
Brake/Clutch Reservoir Mount



Seen in this photo:  
RAM-B-132-400, RAM® Tough-Claw™ Mount with RAM® Level Cup™ Drink Holder

# Device Holders & Adapters

## RAM® Level Cup™ XL

Utilizing similar features to the original RAM® Level Cup™, the RAM® Level Cup™ XL integrates an adjustable height option for accommodating much larger drink sizes, such as tumblers and water bottles. Whether you have a Nalgene, Pelican, Contigo or Hydro Flask, the RAM® Level Cup™ XL will secure most 32oz containers.



RAP-B-417B  
Ball Adapter



RAP-B-417-200-1U  
Socket Arm

## Popular Kits

Take advantage of popular rail base kits for the RAM® Level Cup™ XL, or use your existing base with the ball adapter and socket arm kits.



RAP-B-417-400  
RAM® Tough-Claw™ Mount



RAM-B-408-75-1-A-417  
RAM® Torque™ Mount



RAM-B-174-A-417  
U-Bolt Mount



Seen in this photo:  
RAM-B-408-112-15, RAM® Torque™ Rail Base  
RAM-B-201-A, Short Double Socket Arm  
RAP-B-417B, RAM® Level Cup™ XL Drink Holder

## Device Holders & Adapters



Seen in this photo:  
RAM-B-149Z, U-Bolt Handlebar Mount  
RAP-S-KNOB3, RAM® Pin-Lock™ Security Knob  
RAM-HOL-GA61LU, Locking Cradle for the Garmin dezl™ 760 (shown with device)  
RAM-B-349, Threaded Ball Adapter  
RAM-B-201, Medium Double Socket Arm (shown with Doubletake Adventure Mirror Ball)



# Device Holders & Adapters

When you're on the road less traveled, having the right gear with you is integral to a safe journey. RAM® Mounts GPS cradles offer durability, versatility and vibration dampening to help get you wherever you're going.

| Part Number   | Fits                                  | Compatible Ball |
|---------------|---------------------------------------|-----------------|
| RAM-HOL-GA31  | Garmin Approach G5 & Oregon Series    | RAM-B-238       |
| RAM-HOL-GA34  | Garmin nüvi 13xx Series & 24xx Series | RAM-B-238       |
| RAM-HOL-GA40  | Garmin GPSMAP 73, 78, 78S & 78SC      | RAM-B-238       |
| RAM-HOL-GA41  | Garmin GPSMAP 62 & 64 Series          | RAM-B-238       |
| RAM-HOL-GA46U | Garmin Montana 600, 650 & 680         | RAM-B-238       |
| RAM-HOL-GA50  | Garmin nüvi 50 & 50LM                 | RAM-B-238       |
| RAM-HOL-GA55U | Garmin nüvi 52 - 58 Series            | RAM-B-238       |

| Part Number    | Fits  | Compatible Ball |
|----------------|---|-----------------|
| RAM-HOL-GA57U  | Garmin nüvi 2557LMT & LT, 2597LMT & 2598LMTHD | RAM-B-238       |
| RAM-HOL-GA66LU | Garmin fleet 660 & 670                        | RAM-B-238       |
| RAM-HOL-GA67   | Garmin nüvi 65, 66, 67 & 68                   | RAM-B-238       |
| RAM-HOL-GA70LU | Garmin dezl 770LMTHD                          | RAM-B-238       |
| RAM-HOL-GA71LU | Garmin dezl 570LMT                            | RAM-B-238       |
| RAM-HOL-GA72U  | Garmin nüvi 2689LMT                           | RAM-B-238       |
| RAM-HOL-GA73U  | Garmin nüvi 2589LMT                           | RAM-B-238       |



RAM-HOL-GA31



RAM-HOL-GA71LU



RAM-HOL-GA67

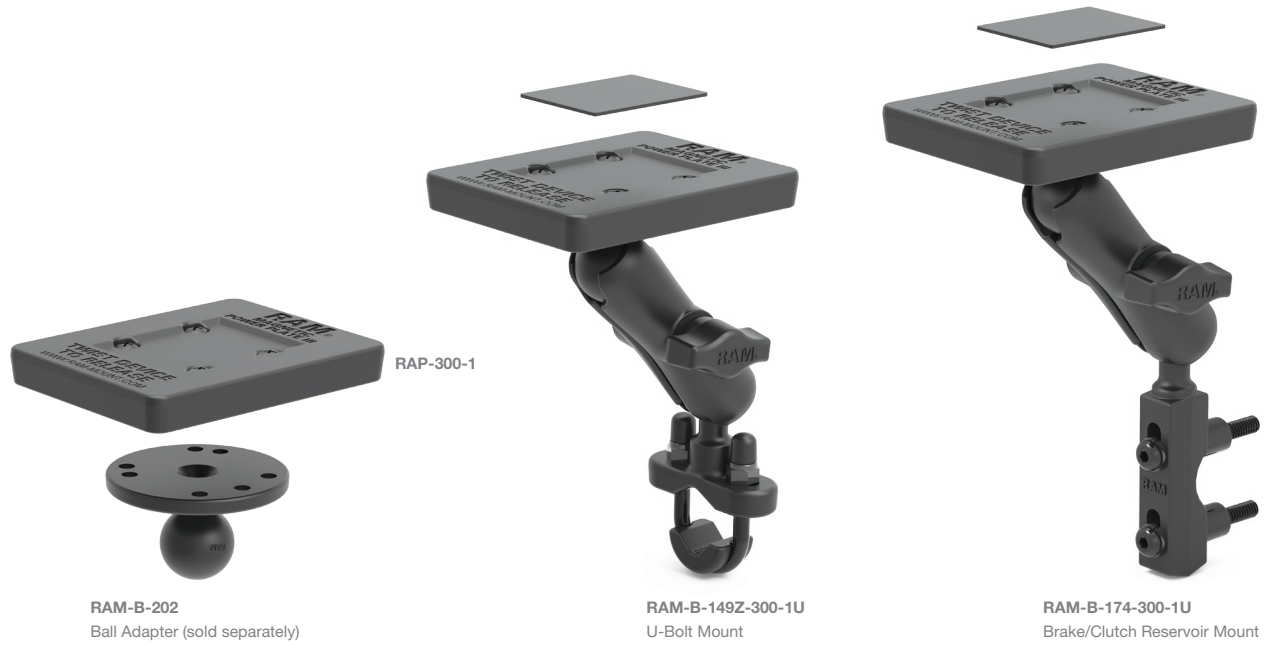


Seen in this photo:  
 RAM-HOL-GA39, RAM® EZ-Rollr™ Cradle for the Garmin nüvi® 3490LMT (shown with device)  
 RAM-B-103-238U, Medium Double Socket Arm with AMPS Diamond Adapter  
 RAM-B-349, Threaded Ball Adapter

# Device Holders & Adapters

## RAM® Power Plate™ III Radar Detector Holder

Designed to hold radar detectors and other devices, the RAM® Power Plate™ III features magnets and a metal plate that attaches to the bottom of your radar detector.



Seen in this photo:  
RAM-B-345, Centered Reservoir Cover Base  
RAM-B-201, Medium Double Socket Arm  
RAM-B-202, AMPS Round Device Adapter  
RAP-300-1, RAM® Power Plate™ III Radar Detector Holder (shown with Valentine One)

# Device Holders & Adapters

## RAM® Finger-Grip™ Universal Holder

This versatile mount features three sets of sturdy flexible fingers that wrap around the device to secure it in the cradle—keeping hold of your device even in the roughest terrain. This cradle is designed to keep radios, GPS devices, phones and more at your fingertips.



RAM-HOL-UN4



RAM-B-238  
Ball Adapter (sold separately)



Seen in this photo:  
RAM-B-149Z-UN4, U-Bolt Handlebar Mount With RAM® Finger-Grip™ Device Holder (shown with radio)

---

# Power Accessories



Seen in this photo:  
RAM-B-400-201-AU, RAM® Tough-Claw™ With Short Double Socket Arm  
RAM-HOL-PD3-238AU, RAM® Quick-Grip™ Phone Holder With 1" Ball (shown with Samsung Galaxy S7)  
RAM-GDS-CAB-MUSB2-1, GDS® Genuine USB 2.0 Cable  
RAM-GDS-CHARGE-USB2HCIG, GDS® 2-Port Cig Charger

# Power Accessories

Choose from a variety of power options for your GDS® enabled devices and docks, including Step Down Converter Chargers, Cig Chargers, Wall Chargers and more.

| Part Number              | Charger Type                                 | Input Range         | Output  | Output Connector Type            | Compatible Devices  |
|--------------------------|--|---------------------|---|----------------------------------|---|
| RAM-GDS-CHARGE-USB2W     | 2 port wall charger                          | 100-240V<br>50/60Hz | 5V/2.4A Per Port<br>24W Max   | 2 Qty USB-A Female               | Any 5V device with a current requirement of 2.4A or less  |
| RAM-GDS-CHARGE-USB2QCCIG | 2 port cig charger with Quick Charge support | 12-24VDC            | Port 1:<br>Quick Charge 3.0(18W)<br>Port 2:<br>5V/2.4A (12W) 30W Max            | 2 Qty USB-A Female               | Any 5V device with a current requirement of 2.4A or less  |
| RAM-GDS-CHARGE-V7BU      | USB Type-A hardwire                          | 8-40VDC             | 5VDC & 9VDC (QC only)<br>2.5A Max   | 1.2M cable with USB-A Female     | Any 5V device with a current requirement of 2.5A or less. Includes support of Apple iOS 2.1/2.4A devices and support for Qualcomm Quick Charge 2.0/3.0 devices                    |
| RAM-GDS-CHARGE-V7-M55U   | DC cable hardwire                            | 8-40VDC             | 5VDC 2.5A Max   | 1.2M cable with DC cable         | Any 5V device with a current requirement of 2.5A or less  |
| RAM-GDS-CHARGE-V7-MUSBU  | mUSB hardwire                                | 8-40VDC             | 5VDC & 9VDC (QC only)<br>2.5A Max   | 1.2M cable with Micro-B USB Male | Any 5V device with a current requirement of 2.5A or less. Includes support of Apple iOS 2.1/2.4A devices and support for Qualcomm Quick Charge 2.0/3.0 devices                    |
| RAM-GDS-CHARGE-V7-USBCU  | USB Type-C hardwire                          | 8-40VDC             | 5VDC & 9VDC (QC only)<br>2.5A Max   | 1.2M cable with USB-C Male       | Any 5V device with a current requirement of 2.5A or less. Includes support for Qualcomm Quick Charge 2.0/3.0 devices  |
| RAM-GDS-CHARGE-USB6      | 6 port charger                               | 100-240V<br>50/60Hz | 5V/2.4A Per Port<br>60W Max   | 6 Qty USB-A Female               | Any 5V device with a current requirement of 2.4A or less  |
| RAM-GDS-CHARGE-V3CU      | USB Type-C hardwire                          | 12-24VDC            | 5V/3A; 9V/3A; 12V/3A<br>36W Max   | 1.2 M cable with USB-C Male      | Any device supporting Power Delivery 2.0 up to 36W  |
| RAM-GDS-CHARGE-USBCW     | USB Type-C wall charger                      | 100-240V<br>50/60Hz | 5V/3A; 9V/3A; 12V/3A;<br>15V/3A; 20V/2.25A<br>45W Max                           | USB-C Female                     | Any device supporting Power Delivery 2.0 up to 45W  |
| RAM-GDS-CHARGE-CIGC      | USB Type-A and Type-C cig charger            | 12-24VDC            | USB-A: 5V/2.4A; 9V/2A;<br>12V/1.5A<br>USB-C: 5V/3A; 9V/2A;<br>12V/2.4A; 47W Max | USB-A Female<br>USB-C Female     | USB-A: Any 5V device with a current requirement of 2.4A or less. Includes support for Qualcomm Quick Charge 2.0 devices<br>USB-C: Devices supporting Power Delivery 2.0 up to 28W |



RAM-GDS-CHARGE-USB2QCCIG



RAM-GDS-CHARGE-V7BU

---

# Scooters

RAM® Mounts offers several mirror base mounting solutions, including the RAM® Torque™ mini rail base. Paired with popular cradles like the RAM® X-Grip®, easily secure your phone and other devices.



---

# ATV/Side-by-Sides

In addition to the large version of the RAM® Torque™ base for handlebars and rails, the RAM® Tough-Track™ is an ideal track solution for ATVs and side-by-sides. Compatible with a wide variety of RAM® track bases for devices.



---

# Dirt Bikes

Capture all the action from your dirt bike with the RAM® universal action camera adapter. Compatible with a range of RAM® rail bases, simply attach any action camera – including GoPro® – that features a standard two-pronged attachment.





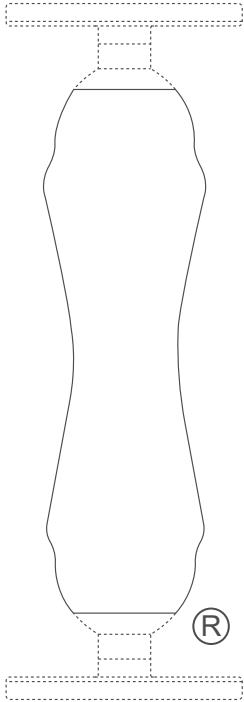
---

# Snowmobiles

For large rails and bars, trust the versatile RAM® Tough-Claw™ mount and universal action camera adapter to dampen shock and vibration. No tools are needed for installation and removal, so you can use the RAM® Tough-Claw™ wherever and whenever you need it.

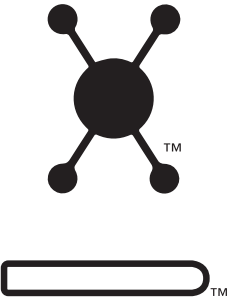


# The Shape That Started It All



RAM® Mounts double socket arms—featuring a distinctive Hourglass Shape—are recognized globally as a symbol of durability, reliability and quality. The Hourglass Shape is a registered trademark of National Products Inc.

The unique RAM® Mounts system offers a full line of interchangeable mounting bases, extensions, device adapters and accessories to secure your gear where you want it. See all of the innovative products and solutions RAM® manufactures at [rammount.com](http://rammount.com).



The distinctive RAM® "X-Grip®" product shape is a trademark of National Products Inc.

The distinctive "D" product shape of the GDS® connector is a trademark of National Products Inc.



---

RAM® Mounts is a division of National Products Inc.

8410 Dallas Avenue South

Seattle, WA 98108

Phone: 800.497.7479

sales@rammount.com

rammount.com

Lifetime Warranty

Patents and Trademarks

rammount.com/ip



Contact Us  
sales@rammount.com  
1-800-497-7479

Join Our Community



NPI-CAT-POWERSPORTS18  
June 2018