



**RAM<sup>®</sup>**  
**MOUNTS**

Marine



# About RAM<sup>®</sup> Mounts

---

RAM Mounts manufactures rugged and versatile mounting systems for cameras, tablets and other mobile devices that can be attached nearly anywhere. Unlike other mounts on the market, RAM allows you to mount items where you need them most. The unique design of the RAM Mounts system provides quick installation, adjustability, strength, vibration dampening and durability — all at a low cost. RAM uses powder-coated marine-grade aluminum with lightweight and high-strength composites, stainless steel hardware and rubber balls. RAM Mounts are made in the USA and backed by a lifetime warranty.

## The RAM Difference



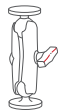
### Made in the USA

Designed and manufactured in Seattle, Washington



### Lifetime Warranty

RAM products are backed by a lifetime warranty against manufacturer's defects for decades of worry-free use



### Modular Design

The rubber ball and socket design offers a secure hold with vibration dampening and component interchangeability



### Designed & Developed In-House

Each RAM Mount is designed in-house using the most advanced industry techniques



# Partner with RAM<sup>®</sup> Mounts

---

Here at RAM Mounts, we believe that unfathomable things are possible with ingenuity. With a portfolio of over 5,000 SKUs paired with innovative engineers and in-house product experts, we have the tools and expertise needed to create solutions that you didn't know were possible. We have the ability to solve your mounting solution challenges quickly, efficiently and cost effectively.

No matter your company's size, you can trust RAM Mounts to deliver ingenious solutions that do exactly what you need them to do on the water.

**Raymarine<sup>®</sup>**  
BY  **FLIR<sup>®</sup>**

**LOWRANCE<sup>®</sup>**

 **HUMMINBIRD<sup>®</sup>**

  
**GARMIN<sup>®</sup>**

**MotorGuide<sup>®</sup>**



# Made in the USA

---

When you choose RAM® Mounts, you're not only getting a durable and innovative solution, you're investing in the livelihood of someone like you, their families, and the American economy. Behind every RAM product is the work of more than 300 dedicated Americans who design, engineer, and hand-assemble in Seattle, WA. Manufacturing in the USA allows us to deliver the highest uncompromising standards of quality and distribution.



# Lifetime Warranty

---

Our philosophy is simple, build the best products available. We stand behind the legendary craftsmanship of our products because we manufacture them to last. You can count on RAM® to partner with you long-term, delivering product support when you need it most. We create the best mounting solutions in the world, built by hand, and backed for life.



# How It Works

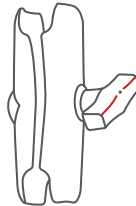
1



Choose a **base**

Choose from a variety of bases to help secure your device where you need it.

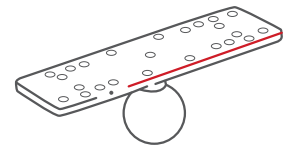
2



Choose an **arm**

Choose an arm based on your desired length and placement.

3



Choose a **device adapter**

RAM® offers a wide selection of adapters and cradles for your specific device.



## Modular Solutions for Every Use

### Slip Resistant

The marine-grade aluminum and composite arm provides a strong hold that reduces slip on the rubber ball

### Guaranteed

RAM Mounts offers a lifetime warranty on all mounting hardware

### Made in the USA

Designed and manufactured in the USA using the highest quality materials

### Vibration Dampening

The rubber ball absorbs the impact of rough waves, providing shock and vibration dampening

### Adjustable

With nearly 360 degrees of articulation, each product can be adjusted to any angle with the turn of a single knob



# How It Works

---

## Ball size selection guide

Each ball size in the RAM® Mounts rubber ball and socket system supports a different amount of weight and withstands increasingly intense vibration. Use the guide below to determine the ideal size for your system based on your device weight and application. RAM recommends moving up a ball size in environments with extreme shock and vibration.



### B Size

- 1" Diameter Ball
- Holds up to 4lbs
- Ideal for cup holders, cameras and other lightweight devices



### C Size

- 1.5" Diameter Ball
- Holds up to 7lbs
- Ideal for tablets, fishing rods, medium fishfinders and chartplotters



### D Size

- 2.25" Diameter Ball
- Holds up to 10lbs
- Ideal for large fishfinders and chartplotters in extreme vibration and shock environments

# What You Need to Know

---

1

## Why should I choose RAM® Mounts?

For more than two decades, RAM products have been engineered to be rugged and durable. With thousands of interchangeable components to choose from, you can customize your mounting system however you need to. Additionally, all products are backed by our lifetime warranty.

2

## How do I ensure my mount will hold up my large fishfinder without it dropping over time or in rough water?

RAM products are thoroughly tested with the latest electronics to ensure fit and ruggedness. We have engineered our mounts to withstand the toughest conditions, and backed them with our lifetime warranty.

3

## Are RAM Mounts compatible with major electronic brands?

We ensure fit with our top partners across multiple product lines such as Lowrance, Humminbird, Raymarine, Garmin, GoPro and others. RAM Mounts is a modular system designed to be interchangeable.

4

## What size do I need?

See the ball selection guide on page eight to determine the ideal size based on your device's size, weight and environment.

5

## Does RAM Mounts protect my electronics?

All RAM Mounts products are engineered to reduce shake and vibration in the most extreme environments, which can extend the lifespan of your vital electronics.

6

## Will RAM Mounts help me catch more fish?

RAM Mounts provides the tools to help you achieve the results you desire. Our products can secure your fishfinder, keep your rod in place, give you a table to cut your bait on and position your camera to capture all the action.

# Table of Contents

---

- 11 Bases
- 17 Arms
- 19 Fishing Rod Holders
- 23 Lowrance Mounts
- 25 Humminbird Mounts
- 27 Raymarine Mounts
- 29 Garmin Mounts
- 31 Universal Fishfinder Mounts
- 37 Trolling Motor Stabilizer
- 39 Phone Mounts
- 41 Tablet Mounts
- 43 IntelliSkin®/GDS®
- 45 Action Camera Mounts
- 49 Cup Holder Mounts
- 51 LED Spotlight
- 53 Accessories
- 59 Partners
- 61 Compatibility Chart
- 63 New Products Coming Soon
- 65 Drawings Section



# Bases

---



Seen in this photo:  
RAM-B-138-UN7U, Drill-Down Mount for phone

# Bases

---

## Drill-Down Bases

The RAM® Mounts rubber ball is unique to the RAM Mounts system. This innovative rubber ball delivers vibration dampening, anti-slip capabilities, nearly 360-degrees of adjustability and the ruggedness that the marine environment demands. The RAM Mounts round bases are made out of marine-grade aluminum and are powder coated to offer corrosion resistance for storage in salt and fresh water.



Part Number	Ball Size	Diameter	Hole Pattern
RAM-B-202	1" (B)	2.5"	4-Hole AMPS
RAP-B-304U-TRA1	1" (B)	n/a	2-Hole AMPS
RAM-202	1.5" (C)	2.5"	4-Hole AMPS
RAM-D-202	2.25" (D)	3.68"	3-Hole 120-Degree

# Bases

---

## Spline Post Bases

The RAM® Mounts post and spline bases deliver the ultimate hold for your rod holders, bait tables and other accessories. Secure the bases in place and the components can be positioned anywhere you need your gear.



Part Number	Description
RAM-114BM	Bulkhead vertical base
RAM-114FM	Flush base
RAM-114BMP	Bulkhead/flat surface base
RAM-114FMT	Round flush base

# Bases

## Tough-Claw™

The RAM® Tough-Claw provides a flexible mount for round rails or flat edges. The T-shaped knob means that you do not need any tools to install, remove or transfer your mount. Simply loosen the knob, reposition and secure.



## Torque™

For round rails, the RAM Torque Base provides a low-profile attachment with plastic inserts that protect your finish and deliver the ultimate hold. Simply attach the Torque Base around the railing of your boat to easily mount almost any device.



Part Number	Ball Size	Fits Rails	Product Line
RAP-B-400	1" (B)	.625" - 1.5" diameter	Tough-Claw
RAP-B-404	1" (B)	1" - 1.875" diameter	Tough-Claw
RAP-B-401	1" (B)	1" - 2.25" diameter	Tough-Claw
*RAP-B-401LU	1" (B)	1" - 2.25" diameter	Tough-Claw
RAM-B-408-75-1	1" (B)	.75" - 1" diameter	Torque
RAM-B-408-112-15	1" (B)	1.125" - 1.5" diameter	Torque
RAP-400	1.5" (C)	.625" - 1.5" diameter	Tough-Claw
RAP-404U	1.5" (C)	1" - 1.875" diameter	Tough-Claw
RAP-401U	1.5" (C)	1" - 2.25" diameter	Tough-Claw
*RAP-401LU	1.5" (C)	1" - 2.25" diameter	Tough-Claw
RAM-408-75-1	1.5" (C)	.75" - 1" diameter	Torque
RAM-408-112-15	1.5" (C)	1.125" - 1.5" diameter	Torque
RAM-B-415-15-2	1" (B)	1" - 2.25" diameter	Torque
RAM-415-15-2	1.5" (C)	1.125" - 1.5" diameter	Torque

\*Locking feature

# Bases

---

Seen in this photo:  
RAP-383, Track Ball™,  
RAM-114-RBNBU,  
RAM-ROD™ 2000 Fishing Rod Holder





# Bases

---

## Quick Release Track Ball™

Customize the cockpit or fishing deck of your bass boat or cruiser with the Quick Release Track Ball. These track bases insert directly into your track without having to route the base through the end slot. Simply position the base on your track, press on the two side buttons and twist clockwise to tighten the ball in place for a strong hold. Ideal for supporting your fishing rod holder or any electronic device.



Part Number	Ball Size
RAP-B-383	1" (B)
RAP-383	1.5" (C)

# Arms

---

Seen in this photo:  
RAM-107, Drill-Down Mount for  
the Lowrance HOOK 5



# Arms

---

## Arm Sizes

RAM® Mounts feature a double ball and socket system, providing modularity and adjustability. A RAM arm is the connection between the mounting base and your device, and are available in multiple sizes.



<b>B Size 1"</b>		
<b>Part Number</b>	<b>Overall Length</b>	<b>Socket to Socket</b>
RAM-B-201-A	2.42"	1.75"
RAM-B-201	3.73"	3.00"
RAM-B-201-C	6.00"	5.31"

<b>C Size 1.5"</b>		
<b>Part Number</b>	<b>Overall Length</b>	<b>Socket to Socket</b>
RAM-201-B	3.56"	2.50"
RAM-201	5.69"	4.66"
RAM-201-D	9.13"	8.00"

<b>D Size 2.25"</b>		
<b>Part Number</b>	<b>Overall Length</b>	<b>Socket to Socket</b>
RAM-D-201U-C	5.10"	3.60"
RAM-D-201U	8.44"	6.88"
RAM-D-201U-E	12.98"	11.41"

# Fishing Rod Holders

---

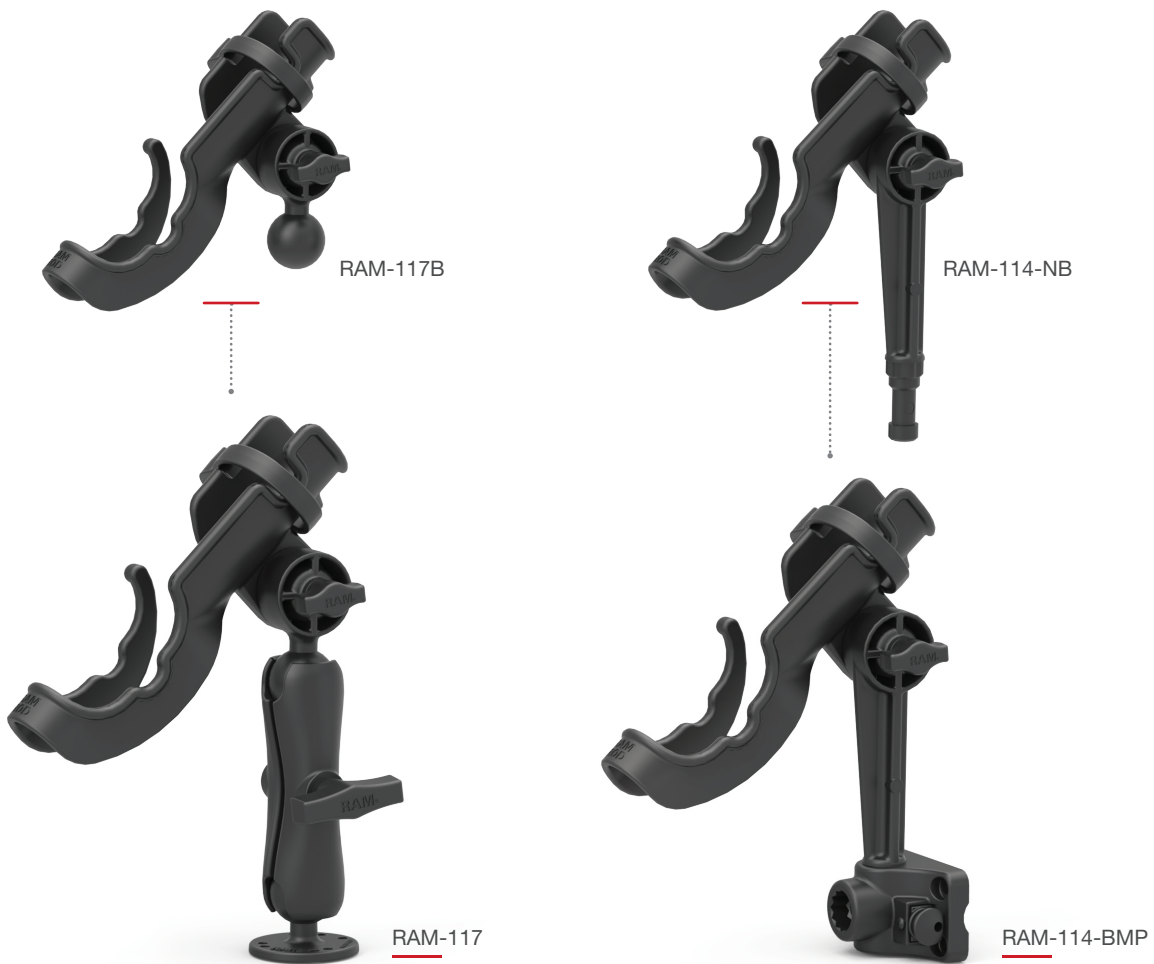


Seen in this photo:  
RAM-117, Drill-Down Mount for the RAM-ROD® 2000 Fishing Rod Holder

# Fishing Rod Holders

## RAM-ROD® Fishing Rod Holders

A must-have for the fishing enthusiast, the RAM-ROD can support almost any spinning reel or baitcaster with an optional locking latch. The RAM-ROD offers a secure hold for rough waters while also offering quick removal of your rod. Compatible with any RAM® post and spline or ball and socket mounting systems.



### Kits

Part Number	Description
RAM-114-B	Post with bulkhead base
RAM-114-F	Post with flush base
RAM-114-BMP	Post with plunger bulkhead/flat base
RAM-114-RB	Revolution post with 1.5" ball base
RAP-114-PA-421	Ratchet arm with dual track base
RAM-117	Double ball mount

### Holders

Part Number	Description
RAM-114-NB	Post
RAM-114-RBNB	Revolution post
RAM-117B-201U	Double socket arm
RAM-117B	1.5" (C) ball

# Fishing Rod Holders

## RAM-TUBE™ Holders

The RAM-TUBE series consists of a large universal tube holder for securing most fishing rods for any environment. Available in kits with side ratchets, ball and socket components and spline post bases.



### Kits

Part Number	Description
RAM-301-B	Post with bulkhead base
RAM-301-F	Post with flush base
RAM-301-RB	Revolution post with 1.5" ball base
RAM-301-BMP	Post with plunger bulkhead/flat base
RAP-394-SSF	Tough-Tube with flush base
RAP-394-SSFMT	Tough-Tube with round flush base
RAP-394-SSBMP	Tough-Tube with plunger bulkhead/flat base
RAP-394-418	Tough-Tube with ratchet track base
RAM-119	1.5" ball and socket mount

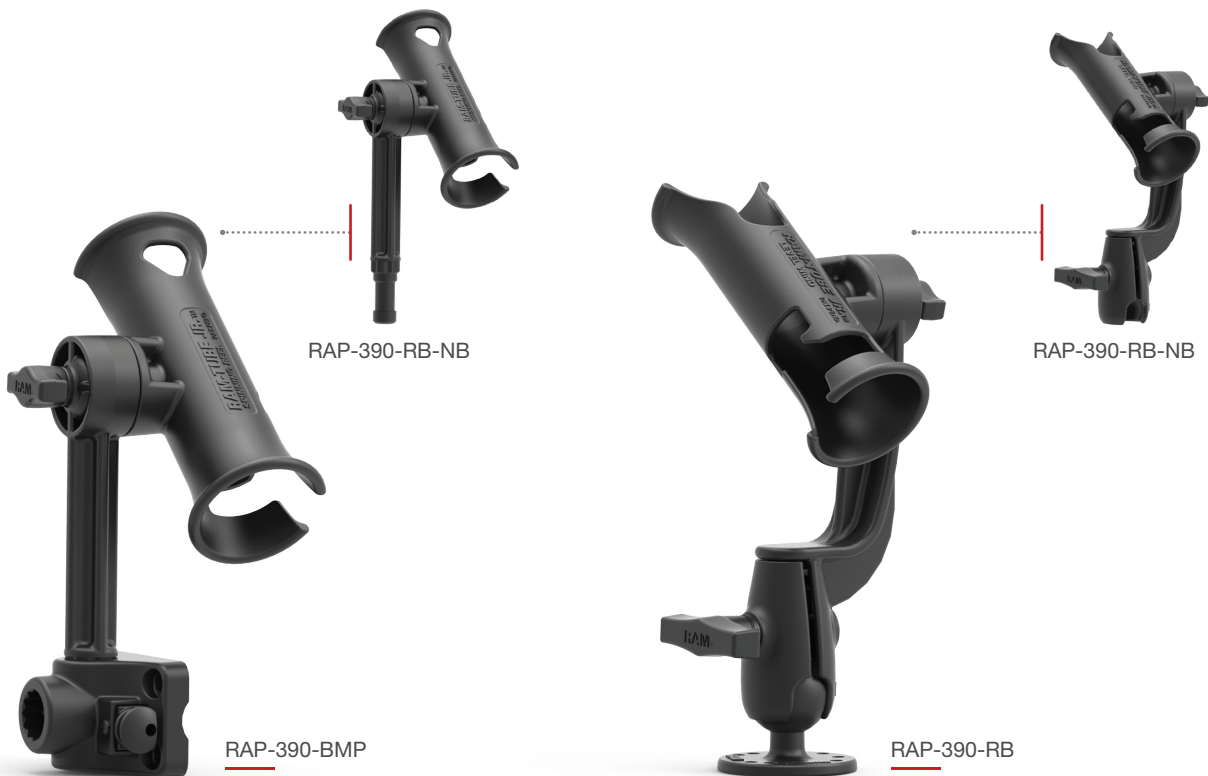
### Holders

Part Number	Description
RAM-301-NB	Post
RAM-301-RBNBU	Revolution post
RAP-394-SST	Tough-Tube post
RAM-119B	1.5" (C) socket arm

# Fishing Rod Holders

## RAM® Tube Jr. Holders

Lightweight and incredibly versatile, the RAM Tube Jr. is made up of an open-ended tube for securing spinning reels on one end, and baitcasters on the opposite end. Various grooves and locking slots are integrated into this tube to secure any fishing rod in the most comfortable position for the user.



### Kits

Part Number	Description
RAP-390-BU	Post with bulkhead base
RAP-390-SBU	Short post with bulkhead base
RAP-390-F	Post with flush base
RAP-390-SF	Short post with flush base
RAP-390-RB	Revolution post with 1.5" ball base
RAP-390-BMP	Post with plunger bulkhead/flat base
RAP-390-SBMP	Short post with plunger bulkhead/flat base
RAP-390-FMT	Post with round flush base
RAP-390-SFMTU	Short post with round flush base
RAP-390-PA-418	Ratchet arm with track base
RAP-390-PA-421	Ratchet arm with dual track base
RAP-390-AAP	Post with Adapt-A-Post™ track base
RAP-390-SAAPU	Short post with Adapt-A-Post track base

### Holders

Part Number	Description
RAP-390	Post
RAP-390-STU	Short post
RAP-390-RB-NB	Revolution post

# Lowrance Mounts

---



Seen in this photo:  
RAM-101-LO11, Drill-Down Mount for the Lowrance Elite-5 Ti



# Lowrance Mounts

RAM® offers the most reliable mounting systems for your Lowrance head unit no matter where you need it. For the Elite and HOOK series, a quick release ball is available that integrates directly into the device to replace the factory gimbal bracket. For the HDS-16 Carbon, RAM offers the heavy-duty double ball mount with Hi-Torq™ wrench for a secure hold.



## Kits

Part Number	Ball Size	Compatible Device	Description
RAM-B-101-LO11	1" (B)	HOOK-3x, HOOK-4, Elite-4	Standard double ball mount
RAM-B-101-C-LO11	1" (B)	HOOK-3x, HOOK-4, Elite-4	Long double ball mount
RAM-B-107	1" (B)	HOOK-4, Elite-4	Standard double ball mount - gimbal plate
RAM-101-LO11	1.5" (C)	HOOK-5, Elite-5	Standard double ball mount
RAM-109H-2B-B-LO11	1.5" (C)	HOOK-5, Elite-5	Swing arm and double ball mount
RAM-D-111-C-KNOB9H	2.25" (D)	HDS Carbon 16	Short double ball mount with Hi-Torq™ wrench

\*see page 61 for all device compatibility

## Ball Adapters

Part Number	Ball Size	Compatible Device
RAM-B-202-LO11	1" (B)	HOOK-3x, HOOK-4, Elite-4
RAM-B-107B	1" (B)	HOOK-4, Elite-4
RAM-202-LO11	1.5" (C)	HOOK-5, Elite-5
RAM-D-111BU	2.25" (D)	HDS Carbon 16

\*see page 65 for drawings

# Humminbird Mounts

---

Seen in this photo:  
RAM-D-202-25-C-202, Drill-Down Mount for the Humminbird Helix 10



# Humminbird Mounts

No matter what Helix or other Humminbird unit you may have, RAM® offers a wide range of different sizes and lengths of double ball and socket mounts that position your device securely at the optimal angle and in the perfect location.



## Kits

Part Number	Ball Size	Compatible Device	Description
RAM-107	1.5" (C)	500 & 600 Series	Standard length mount
RAM-202-153-202	1.5" (C)	Helix 5	Standard length mount
RAM-202-153-B-202	1.5" (C)	Helix 5	Short length mount
RAM-202-24-202	1.5" (C)	Helix 7	Standard length mount
RAM-202-24-B-202	1.5" (C)	Helix 7	Short length mount
RAM-D-202-25-C-202	2.25" (D)	Helix 9, 10 & 12	Short length mount

\*see page 61 for all device compatibility

## Ball Adapters

Part Number	Ball Size	Hole Pattern
RAM-107B	1.5" (C)	1.88" x 1.88" 2.81" x 2.66"
RAM-202U-153	1.5" (C)	1" x 2.5"
RAM-202U-24	1.5" (C)	1.5" - 3.5"
RAM-D-202U-25	2.25" (D)	2.5" - 4.5"

\*see page 65 for drawings

# Raymarine Mounts

---

Seen in this photo:  
RAM-B-202-379-M616, Drill-Down Mount  
for the Raymarine Wi-Fish  
RAM-B-273, RAM-B-201-A,  
RAM-HOL-UN7B Mount for Phone



# Raymarine Mounts

To accommodate the smaller Dragonfly and WiFish devices, RAM® has developed custom mounting systems with a ball that threads directly into the head unit for a clean and secure install. Mount your Raymarine device virtually anywhere with standard drill-down kits or customize with any combination of ball and socket components.



## Kits

Part Number	Ball Size	Compatible Device
RAM-B-202-379-M616	1" (B)	Dragonfly 4, 5 & WiFish
RAM-101-RYM1	1.5" (C)	Dragonfly 6 & 7

\*see page 61 for all device compatibility

## Ball Adapters

Part Number	Ball Size
RAP-B-379U-M616	1" (B)
RAM-202U-RYM1	1.5" (C)

\*see page 65 for drawings

# Garmin Mounts

---



Seen in this photo:  
RAM-101-G4, Drill-Down  
Mount for the Garmin Striker 5

# Garmin Mounts

Your Garmin electronics deserve only the best when it comes to rugged and reliable mounting. RAM® Mounts will keep your GPSMAP, echoMAP or Striker unit exactly where you want it, with vibration dampening to keep your fishfinder secure while on choppy waters.



## Kits

Part Number	Ball Size	Compatible Device	Description
RAM-B-101-G4	1" (B)	Striker 4	Double ball mount with round plate
RAM-101-G4	1.5" (C)	echoMAP Chirp 42-55, GPSMAP 527 & 547	Double ball mount with round plate
RAM-137	1.5" (C)	GPSMAP 741	Double ball mount with 3" x 11" plate

\*see page 61 for all device compatibility

## Ball Adapters

Part Number	Ball Size	Plate Size
RAM-B-202-G4U	1" (B)	2.5" diameter
RAM-202-G4	1.5" (C)	2.5" diameter
RAM-137BU	1.5" (C)	3" x 11"

\*see page 65 for drawings

# Universal Mounts

---

Seen in this photo:  
RAM-111, Drill-Down Mount for the Lowrance Hook-9





# Universal Mounts

## Standard Double Ball Mounts

The standard double ball and socket mount for marine electronics includes a 6.25" x 2" plate with a series of universal hole patterns for aligning a wide variety of fishfinder and chartplotter gimbal brackets. Typically recommended for up to 7" head units, these mounts will outlast the device itself as you upgrade to newer technology.



### Kits

Part Number	Ball Size	Description
RAM-B-111	1" (B)	Standard double ball mount
RAM-111	1.5" (C)	Standard double ball mount
RAM-111-B	1.5" (C)	Short double ball mount
RAM-111-D	1.5" (C)	Long double ball mount

\*see page 61 for all device compatibility

### Ball Adapters

Part Number	Ball Size	Plate Size
RAM-B-111B	1" (B)	6.25" x 2"
RAM-111B	1.5" (C)	6.25" x 2"

\*see page 65 for drawings

# Universal Mounts

---

Seen in this photo:  
RAM-109H, Swing Arm Mount for the Garmin echoMAP



# Universal Mounts

## Swing Arm Mounts

The RAM® swing arm mount mounts horizontally or vertically to any flat surface. With single or double swing arm kits available, these units have multiple pivot points that can swing your device to the optimal position on your boat. The 6.25" x 2" plate in these kits offer the same hole patterns as the standard double ball and socket mounts for marine electronics. The RAM-109V attaches to rails ranging from 3/4"-3" in diameter, using a U-Bolt or Strap Clamp (not included).



### Kits

Part Number	Surface Type	Description
RAM-109H	Horizontal	Single swing arm
RAM-109V	Vertical	Single swing arm
RAM-109H-1	Horizontal	Double swing arm
RAM-109V-1	Vertical	Double swing arm

\*see page 61 for all device compatibility

\*see page 65 for drawings

# Universal Mounts

---

Seen in this photo:  
RAM-D-111, Drill-Down Mount for the Garmin echoMAP



# Universal Mounts

## Heavy Duty Double Ball Mounts

The most robust mount in the marine industry, the heavy-duty double ball mounts hold nearly any 10-12" head unit without breaking a sweat. The durability of the D Size 2.25" ball offers the same adjustability as any other RAM® Mount, while also keeping your large fishfinder or chartplotter secure in the most extreme environments while out on the water.



### Kits

Part Number	Ball Size	Description
RAM-D-111-C	2.25" (D)	Short double ball mount
RAM-D-111	2.25" (D)	Standard double ball mount

\*see page 61 for all device compatibility

### Ball Adapters

Part Number	Ball Size	Plate Size
RAM-D-111BU	2.25" (D)	3" x 11"

\*see page 65 for drawings

# Trolling Motor Stabilizer

---



Seen in this photo:  
RAP-400-202, Drill-Down Mount  
for the Trolling Motor Stabilizer

# Trolling Motor Stabilizer

Keep your trolling motor from bouncing around or damaging your hull with our stabilizer kits. Consisting of a base, arm and either a Tough-Claw™ or strap clamp, this mount will anchor your motor in place and provide quick access when drifting into cover or trying to sight cast.



## Kits

Part Number	Ball Size	Mount Type	Max Height	Clamp Range
RAP-400-202	1.5" (C)	Tough-Claw	9.25"	.625" - 1.5" diameter
RAM-202-B-400	1.5" (C)	Tough-Claw	7.125"	.625" - 1.5" diameter
RAM-108	1.5" (C)	Strap clamp	8.75"	1" - 2.1" diameter
RAM-108-D	1.5" (C)	Strap clamp	12"	1" - 2.1" diameter
RAM-108-BU	1.5" (C)	Strap clamp	6.625"	1" - 2.1" diameter

# Phone Mounts

---



Seen in this photo:  
RAM-B-166-UN7, Suction Cup Mount for Phone



# Phone Mounts

The RAM® X-Grip® will keep your phone secure while out on the water. Suction your phone to your windshield, drill it to your console or clamp it to a rail — whatever fits your needs. Whether using your phone as a camera or operating a fishfinder app, your device will stay safe and accessible with an X-Grip.



## Kits

Part Number	Phone Size	Mount Type
RAM-B-166-UN7	Small phones	Twist-Lock suction cup - standard arm
RAM-B-166-A-UN7U	Small phones	Twist-Lock suction cup - short arm
RAM-B-138-UN7	Small phones	Drill-Down mount
RAP-B-378-UN7	Small phones	Flex adhesive mount
RAM-B-400-UN7	Small phones	Tough-Claw mount
RAM-B-166-UN10	Large phones	Twist-Lock suction cup - standard arm
RAM-B-166-C-UN10U	Large phones	Twist-Lock suction cup - long arm
RAP-B-378-UN10U	Large phones	Flex adhesive mount
RAM-B-138-UN10	Large phones	Drill-Down mount
RAM-B-400-C-UN10U	Large phones	Tough-Claw mount

## Holders

Part Number	Ball Size	Phone Size
RAM-HOL-UN7B	1" (B)	Small Phones (up to 3.25" wide)
RAM-HOL-UN7BCU	1.5" (C)	Small Phones (up to 3.25" wide)
RAM-HOL-UN10B	1" (B)	Large Phones (up to 4.5" wide)
RAM-HOL-UN10BCU	1.5" (C)	Large Phones (up to 4.5" wide)

# Tablet Mounts

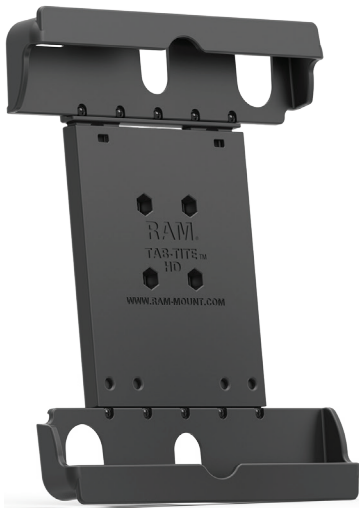
---



Seen in this photo:  
RAM-HOL-AP17U,  
Cradle for iPad Air 2  
RAM-B-101-C,  
Drill-Down Mount  
with Long Arm

# Tablet Mounts

RAM® Mounts offers an assortment of tablet mounts for equipping your second station or offering a place to review charts in the main cabin. The unique designs of the Tab-Tite™, X-Grip® and EZ-Roll'r™ can support virtually any size tablet with or without a case or sleeve. Pair with any RAM double ball and socket mounting system for the best tablet accessory on the market.



RAM-HOL-TAB20U



RAM-HOL-UN8B



RAM-HOL-AP21U

## Mounts

Part Number	Ball Size	Max Height	Mount Type
RAM-B-101	1" (B)	5"	Drill-Down
RAM-B-101-C	1" (B)	7.313"	Drill-Down
RAM-101	1.5" (C)	7.35"	Drill-Down

## Holders

Part Number	Holder Type	Compatible Device
RAM-HOL-TAB20U	Tab-Tite	9" - 10" tablets with case
RAM-HOL-TAB12U	Tab-Tite	7" - 8" tablets with case
RAM-HOL-UN8B	Tab-Tite	7" - 8" tablets
RAM-HOL-UN9U	X-Grip	9" - 10" tablets
RAM-HOL-UN11U	X-Grip	10" - 12" tablets
RAM-HOL-AP17U	EZ-Roll'r	Apple iPad Air 1-2 & Pro 9.7
RAM-HOL-AP20U	EZ-Roll'r	Apple iPad mini 4
RAM-HOL-AP21U	EZ-Roll'r	Apple iPad Pro 12.9

\*Visit [rammount.com](http://rammount.com) for more tablet mounting options

# IntelliSkin®

---



Seen in this photo:  
RAM-GDS-DOCK-V1U,  
Universal GDS® Dock for Phones  
RAM-GDS-SKIN-SAM14U,  
IntelliSkin for the Samsung Galaxy S6  
RAM-B-101, Drill-Down Mount with  
Medium Arm

# IntelliSkin®

Always Protected. Always Connected.™

IntelliSkin is a protective sleeve that features an integrated power connector compatible with any GDS® charging dock, allowing for seamless integration from your boat to your vehicle. This innovative solution prevents damage to the device charging port and creates a universal docking platform compatible with any device wrapped with an IntelliSkin. IntelliSkin adds functionality by simplifying the frequent docking and undocking of smartphones and tablets.



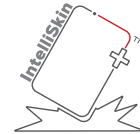
## Charge

Eliminate multiple charging cables with overmolded connectors



## Standardize

The distinctive D-shape creates a universal docking connection for any device



## Protect

Ruggedized tablet and smartphone drop protection



\*Shown with iPad mini  
Visit [gdstech.com](http://gdstech.com) for more information

# Action Camera Mounts

---

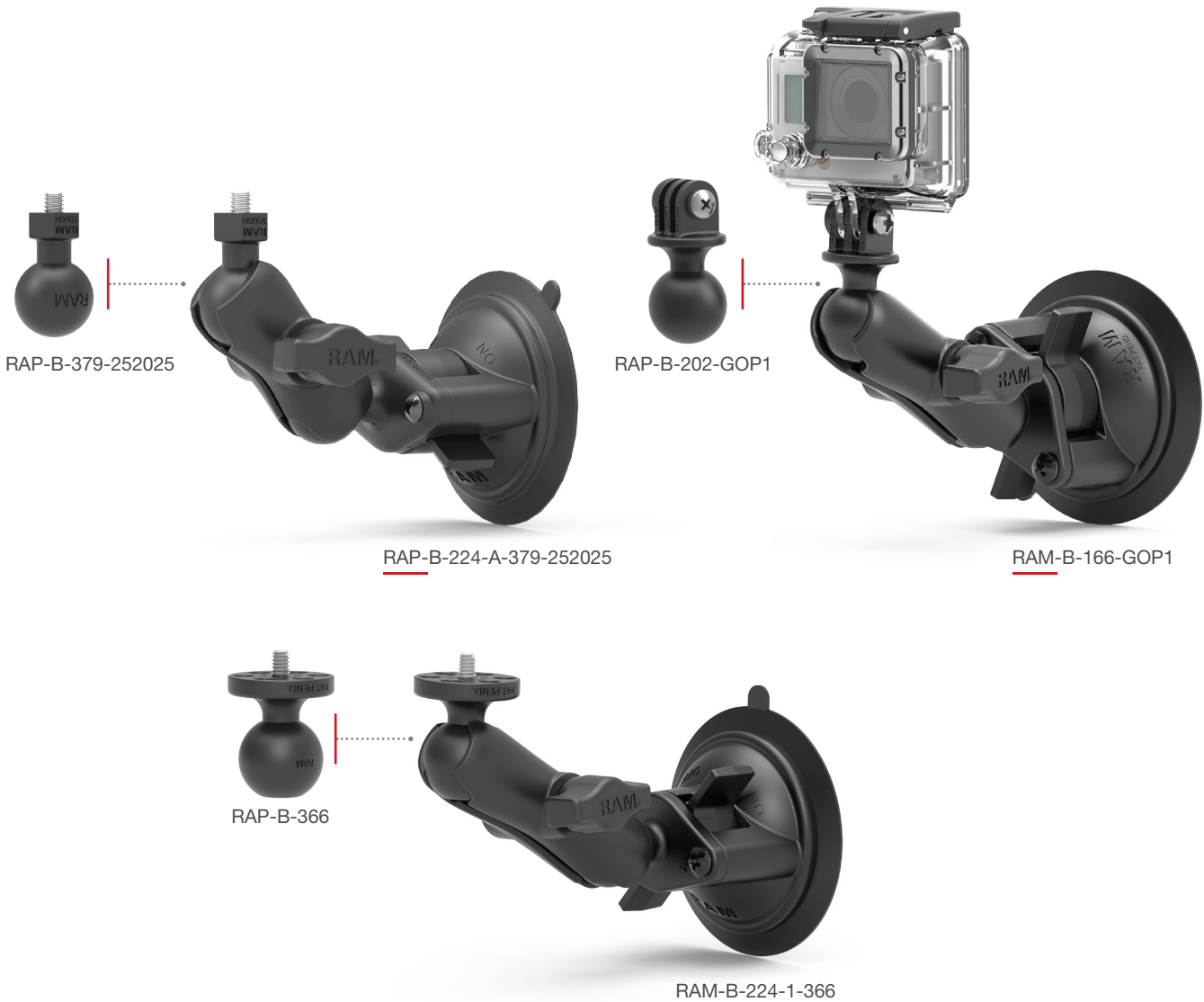
Seen in this photo:  
RAM-B-166-GOP1, Suction Cup Mount for Action Cameras



# Action Camera Mounts

## Twist-Lock™ Suction Cup Camera Mount

Count on RAM® to connect to any action camera, whether through the standard 1/4"-20 thread or through the modern action camera hinge adapter. The unique double ball and socket design lets you position your camera at the perfect angle, keeping a steady frame while traveling at high speeds on rough waves. With the use of the Twist-Lock suction cup, secure your camera to your windshield or any other non-porous surface for a strong hold.



### Kits

Part Number	Description
RAM-B-166-GOP1	Standard arm, action camera adapter
RAM-B-166-A-GOP1U	Short arm, action camera adapter
RAM-B-224-1-366	Standard arm, 1/4"-20 threaded stud
RAM-B-224-1-A-366	Short arm, 1/4"-20 threaded stud
RAP-B-224-A-379-252025	Short arm, Tough-Ball 1/4"-20 threaded stud

### Ball Adapters

Part Number	Ball Size	Description
RAP-B-202-GOP1	1" (B)	Action camera adapter
RAP-B-366	1" (B)	1/4"-20 threaded stud
RAP-B-379-252025	1" (B)	Tough-Ball 1/4"-20 threaded stud

# Action Camera Mounts

---



Seen in this photo:  
RAP-B-400-GOP1, Tough-Claw™  
Mount for Action Cameras



# Action Camera Mounts

## Tough-Claw™ Mount

Without the use of tools, clamp the Tough-Claw to any rail or pole for a secure mounting platform so you can capture the best footage. A simple turn of a knob allows you to install, remove or transfer the Tough-Claw to a variety of rails, poles, and flat edges.



RAM-B-404-366U

## Torque™ Mount

For a semi-permanent install on any rail system, the Torque mount includes composite inserts that protect your rail surface and offer a tight hold while mounted. Ideal for low-profile rugged mounting for any action camera.



RAM-B-408-75-1-A-GOP1U

### Kits

Part Number	Description	Clamp Range
RAP-B-400-GOP1	Small Tough-Claw, action camera adapter	.625" - 1.5"
RAM-B-404-366U	Medium Tough-Claw, 1/4"-20 threaded stud	1" - 1.875"
RAM-B-408-75-1-A-GOP1U	Medium Torque, action camera adapter	.75" - 1"
RAM-B-408-112-15-A-GOP1U	Large Torque, action camera adapter	1.125" - 1.5"
RAM-B-108-GOP1	Strap clamp, action camera adapter	1" - 2.1"
RAM-B-108B-A-366	Strap clamp, 1/4"-20 threaded stud	1" - 2.1"

### Ball Adapters

Part Number	Ball Size	Description
RAP-B-202-GOP1	1" (B)	Action camera adapter
RAP-B-366	1" (B)	1/4"-20 threaded stud
RAP-B-379-252025	1" (B)	Tough-Ball 1/4"-20 threaded stud

# Cup Holder Mounts

---



Seen in this photo:  
RAP-B-417-400, Tough-Claw™ mount for beverage container

# Cup Holder Mounts

## Level Cup™

Available with a Tough-Claw™, Torque™ or strap clamp, this cup holder offers two independent self-leveling hinge points that freely swivel, keeping your beverage from spilling while taking any rough turns. Ideal for cans and small drinks.



## Level Cup™ XL

Utilizing similar features to the original Level Cup, the Level Cup XL integrates an adjustable height option for accommodating much larger drink sizes, such as tumblers and water bottles. Whether you have a Nalgene, Pelican, Contigo or Hydro Flask, the Level Cup XL will secure most 32oz containers.



### Kits

Part Number	Description	Clamp Range
RAP-B-417-400	Level Cup XL with small Tough-Claw - low profile	.625" - 1.5"
RAM-B-408-75-1-A-417	Level Cup XL with medium Torque base	.75" - 1"
RAP-B-417-200-1-231Z-2NUBU	Level Cup XL with strap clamp	1.57" - 3.15"
RAM-B-132-400	Level Cup with small Tough-Claw - low profile	.625" - 1.5"
RAM-B-408-75-1-A-132U	Level Cup with medium Torque base	.75" - 1"
RAM-B-132R-2	Level Cup with strap clamp	1.57" - 3.15"

### Holders

Part Number	Ball Size	Description
RAP-B-417B	1" (B)	Level Cup XL
RAP-417B	1.5" (C)	Level Cup XL
RAM-B-132B	1" (B)	Level Cup

# LED Spotlight

---



Seen in this photo:  
RAM-B-152-404, Tough-Claw™ Mount for Spotlight

# LED Spotlight

The RAM® LED Spotlight integrates a powerful LED bulb that yields a bright and efficient light, enabling you to add safety and lower power draw to your boat. The weather-resistant body and 12v cord means you can mount the light from nearly any location. When not mounted, the handle allows for full control. In case of a drop, the rubber housing is waterproof and the LED Spotlight will float in water.



## Kits

Part Number	Description	Clamp Range
RAM-B-152	Drill-Down mount	n/a
RAM-B-152-404	Tough-Claw mount	1" - 1.875"
RAM-B-152-231Z-2	Strap clamp mount	1.57" - 3.15"

## Spotlight Specifications

Part Number	Bulb Size	Bulb Specifications	Power Cable	Hardwire Cable	Replacement Bulb
RAM-B-152B	1" (B)	30-degree spotlight 4500K color temp	10' long coiled with 12V DC cigarette plug	12" long with 2 ring terminals, female cigarette plug	RAM-B-152-BULB

# Accessories

---



Seen in this photo:  
RAM-D-111, Drill-Down Mount for Marine Electronics  
RAM-KNOB9H, Hi-Torq™ Wrench

# Accessories

## Pin-Lock™ Security Knob

The Pin-Lock utilizes a special keyed knob to help deter theft and add extra security for your RAM® mounting system and devices. The Pin-Lock is available in different styles to lock double socket arms, swing arms and gimbals.



Part Number	Fits
RAP-S-KNOB3	B-size arms
RAP-S-KNOB5	C-size arms
RAM-KNOB3L	B-size arms
RAM-KNOB5L	C-size arms
RAP-S-KNOB-109	Swing arms
RAP-S-KNOB-109-1	Double swing arms
RAP-S-NUT5	D-size arms
RAP-S-KNOBG	Gimbal brackets
RAP-S-KNOB3-G	Gimbal brackets and B-size arms
RAP-S-KNOB5-G	Gimbal brackets and C-size arms
RAP-S-NUT5-G	Gimbal brackets and D-size arms
RAP-S-KNOBG-109	Gimbal brackets and swing arms
RAP-S-KNOBG-109-1	Gimbal brackets and double swing arms

\*see page 61 for all device compatibility

# Accessories

---



Seen in this photo:  
RAM-D-111-C, Drill-Down Mount for Marine Electronics  
RAM-KNOB9H, Hi-Torq™ Wrench



Seen in this photo:  
RAP-403, Cable Manager



# Accessories

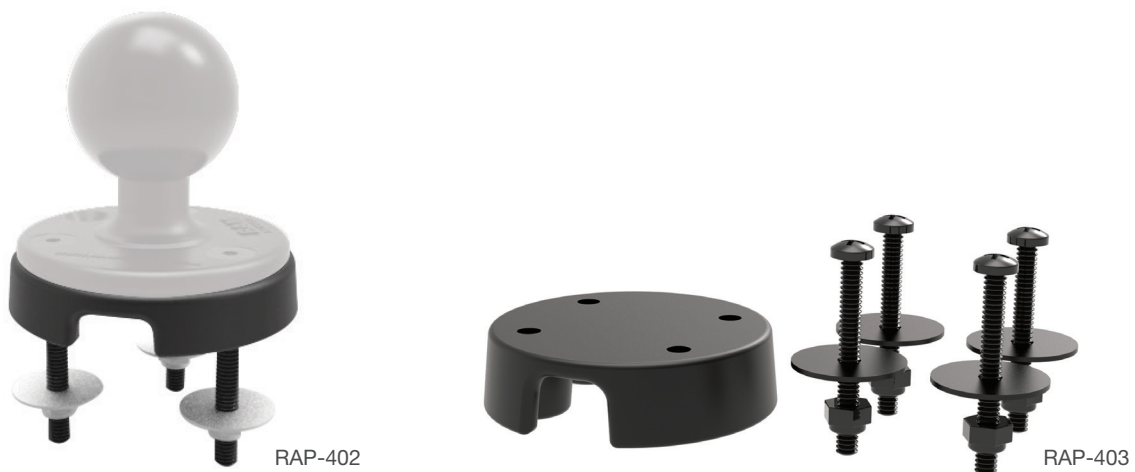
## Hi-Torq™ Wrench

Get the extra leverage needed to secure D size RAM® components with the Hi-Torq wrench. Built to secure large mounts and easy to use while wearing bulky gloves, the Hi-Torq wrench is a great tool to have on-board.



## Cable Manager

Route cables and wires cleanly from your devices. A great integration with round base plates, the Cable Manager also helps to reduce vibration by creating a barrier between the base plate and the surface area.



Part Number	Compatible with	Cable Slot Height	Cable Slot Width	Max. Mounting Surface Thickness
RAP-403	1" ( B ) and 1.5" ( C ) ball bases with the AMPs hole pattern	.56"	.7"	.68"
RAP-402	2.25" ( D ) ball bases with the 3-hole 120-degree pattern	.45"	.95"	1.47"

\*see page 61 for all device compatibility

# Accessories

## STACK-N-STOW™ Bait Board

Keep your tools, knives, and bait handy with the STACK-N-STOW Bait Board. Made of high-strength composite, the Bait Board is durable and rugged. Integrated lure storage on the sides and magnets in the tray secure tools and other objects. Utilize a variety of items with the ample amount of external mounting options available — from a handheld GPS, phone, action camera to even a drink. The wedge lock mount base allows you to move your item into one of six wedge slots and swap them out without tools. The ball base kit allows you to add a ball to the corners for the use of the double socket arm mounting options shown below.



Part Number	Description
RAP-395U	STACK-N-STOW bait board with AMPS 4-hole pattern
RAP-395-RMU	STACK-N-STOW bait board with 3" long spline post and bulkhead rail adapter
RAP-395-BMPU	STACK-N-STOW bait board with 3" long spline post and bulkhead/flat surface base and plunger
RAP-395T-BBU	Topside base with 1" ( B ) ball
RAP-395T-BCU	Topside base with 1.5" ( C ) ball
RAP-395W-132U	Side wedge-lock Level Cup drink holder
RAP-395WU	Side wedge-lock

# Accessories

## Rail Adapters

Utilize the post and spline system or any of the 2.5" round bases with these rail adapter accessories.



Part Number	Fits	Compatible Components
RAM-114RM	7/8" - 1" diameter rails	RAM-114BM and RAM-114BMP
RAM-233	.75" - 1" diameter rails	RAM-202 and RAM-B-202

## Mari-Rivet™ and Mari-Nut™

When mounting to your boat, sometimes you have the need for a blind hole mount. RAM® offers the Mari-Rivet for a permanent mount. Suited for material 1/16" to 1/4" thick, this is a great mounting option for fiberglass, plastic and metal mounting locations. The Mari-Nut allows for a non-permanent and light duty way to mount to blind holes.



Part Number	Compatible Components	Grip Thickness	Hole Size Required
RAM-MARI-RIVET-4	Ball bases with 4 holes	1/16" - 1/4"	7/32"
RAM-MARI-NUT-4	Ball bases with 4 holes	3/100" - 23/100"	3/8"

# Partners

---

## Qwest PONTOONS

---

Qwest pontoon boats are built for adventure, entertainment and serious fishing. They have incorporated the RAM® Mounts X-Grip®.



# Partners

---



Big Sky Precision produces a line of quick-release connectors that integrate the RAM® Mount ball and socket system. This enables the rapid repositioning of electronics or action cameras. Big Sky also produces quick-release mooring buoys and dock lines.



# Compatibility Chart

Part Number	Humminbird Helix 5	Humminbird Helix 7	Humminbird Helix 9, 10 & 12	Humminbird PiranhaMAX Series	Humminbird 500 Series	Humminbird 600 Series	Humminbird 800 Series	Humminbird 900 Series	Humminbird 1100 Series	Humminbird Onix Series	Humminbird Solix Series	Garmin Striker 4	Garmin Striker 5 & 7 Series	Garmin echoMAP Chirp 42-55 Series	Garmin echoMAP Chirp 72-95 Series	Garmin GPSMAP 527	Garmin GPSMAP 547	Garmin GPSMAP 741	Garmin GPSMAP 840xs	Garmin GPSMAP 1020xs	Garmin GPSMAP 1040xs	Garmin GPSMAP 7607	Garmin GPSMAP 7608	Garmin GPSMAP 7610	Garmin GPSMAP 7612	Garmin GPSMAP 7407	Garmin GPSMAP 7408	Garmin GPSMAP 7410	Garmin GPSMAP 7412
RAM-B-101-G4												•																	
RAM-101-G4														•		•	•												
RAM-111													•		•							•	•			x	x		
RAM-137																		•											
RAM-D-111-C						•	•	•	x					x					•	•	•			•	•			•	•
RAM-D-111-C-KNOB9H																													
RAM-B-107																													
RAM-B-107-1			•																										
RAM-107				•	•																								
RAM-B-101-LO11																													
RAM-101-LO11																													
RAM-202-153-202	•																												
RAM-202-24-202		•																											
RAM-D-202-25-C-202			•									•																	
RAM-101-RYM1																													
RAM-B-202-379-M616																													
RAM-109H			•									•	•	•								•	•			x	x		
RAM-109H-1			•									•	•	•								•	•			x	x		
RAM-109V			•									•	•	•								•	•			x	x		
RAM-109V-1			•									•	•	•								•	•			x	x		

X= Mounting plate will require modification to fit this device



# New Products

---

## Tough-Track™: Extruded Aluminum



RAM-TRACK-EXA-3

RAM-TRACK-EXA-5

RAM-TRACK-EXA-9

RAM-TRACK-EXA-13

RAM-TRACK-EXA-17

## Tough-Track: Composite



RAP-TRACK-A5

RAP-TRACK-A9

RAP-TRACK-A12

RAP-TRACK-A16

## Tough-Track: Extruded Composite



RAP-TRACK-DR-4

RAP-TRACK-DR-8

RAP-TRACK-DR-12

RAP-TRACK-DR-20

RAP-TRACK-DR-30

## Hand-Track™



RAM-TRACK-H4

RAM-TRACK-H10

RAM-TRACK-H15

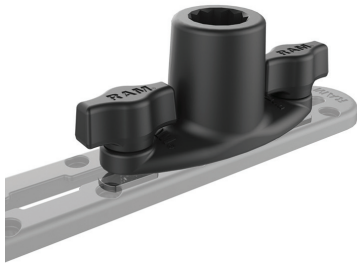
RAM-TRACK-H30



# New Products

---

Track Base for Spline Posts



RAP-421

Drink Cup Holder for Tracks



RAP-429T

Tough-Pole™



RAP-422-18-A-GOP1

RAP-B-202-GOP1-A-294-18U

RAP-B-202-GOP1-A-420-424-18U

RAM-ROD® HD



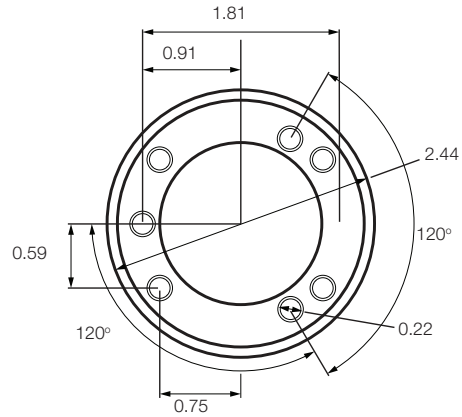
RAP-433-NB

RAM-ROD® JR.



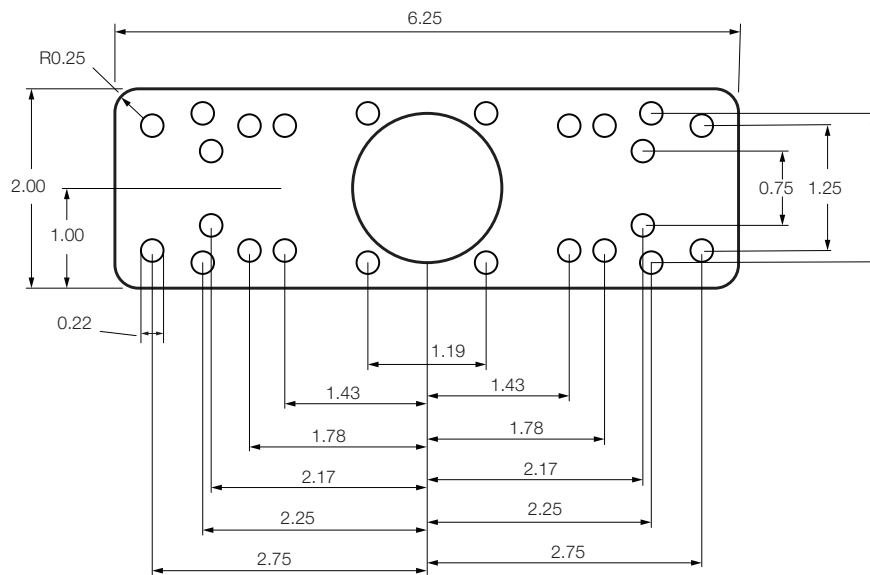
RAP-434-NB

# Drawings Section



## RAM-202

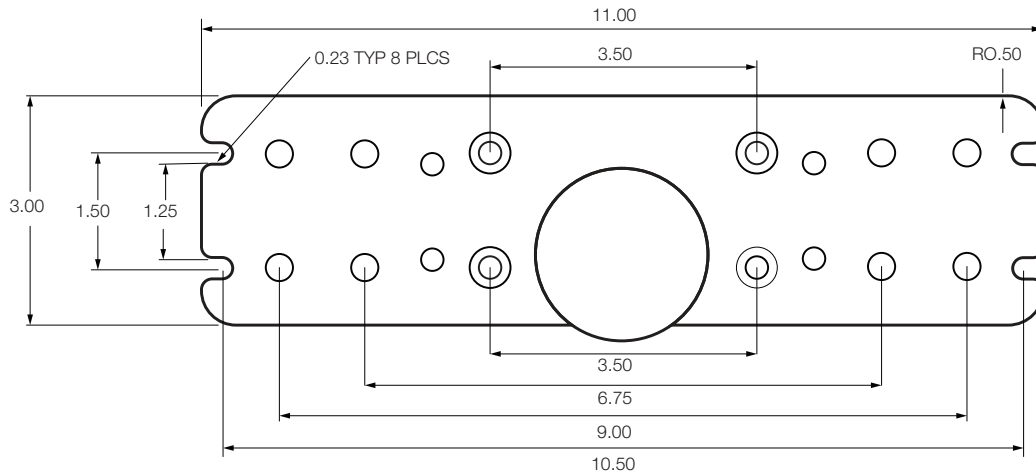
For: RAM-B-202, RAM-202, RAM-B-202-G2, RAM-202-G2U, RAM-B-202-G4U, RAM-202-G4, RAM-B-202-RYM1, RAM-202U-RYM1, RAM-B-101-G4, RAP-B-101U-G4, RAM-101-G4, RAM-101-RYM1 and RAM-B-101-RYM1



## RAM-111B

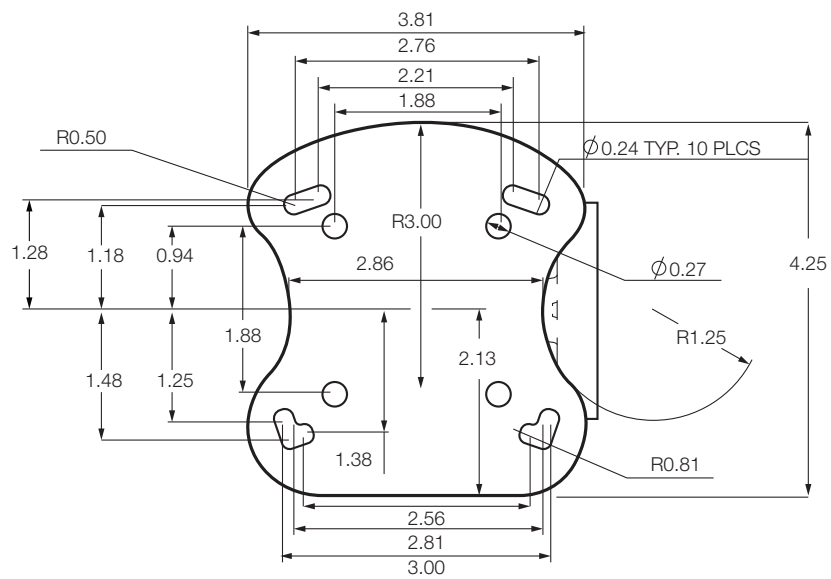
For: RAM-111B, RAM-111-B, RAM-111, RAM-111-D, RAM-109H, RAM-109V, RAM-109H-1, RAM-109V-1

# Drawings Section



## RAM-D-111BU

For: RAM-137BU, RAM-D-111BU, RAM-D-111-C, RAM-D-111, RAM-D-111-C-KNOB9H, RAM-D-111-KNOB9H, RAM-137

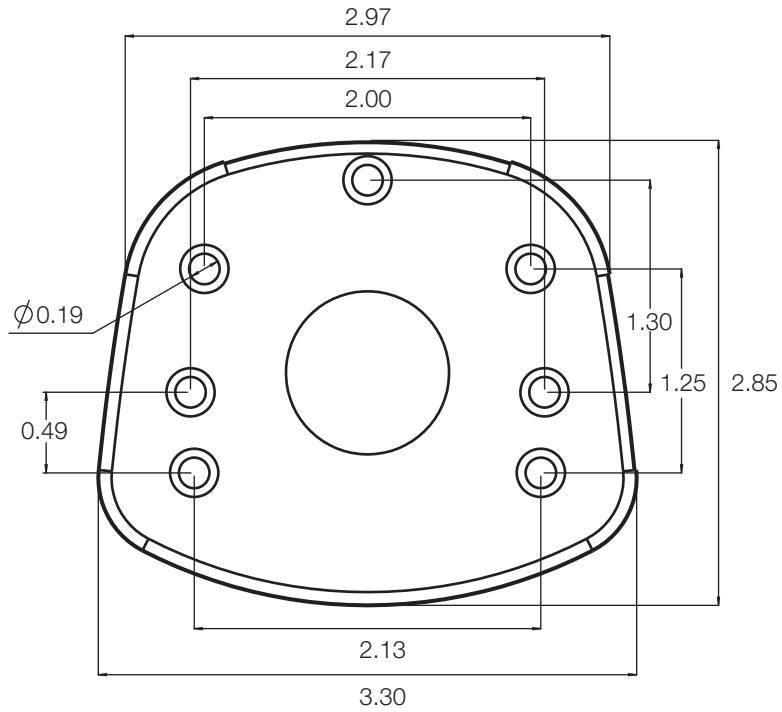


## RAM-107B

For: RAM-B-107B, RAM-107B, RAM-B-107, RAM-107

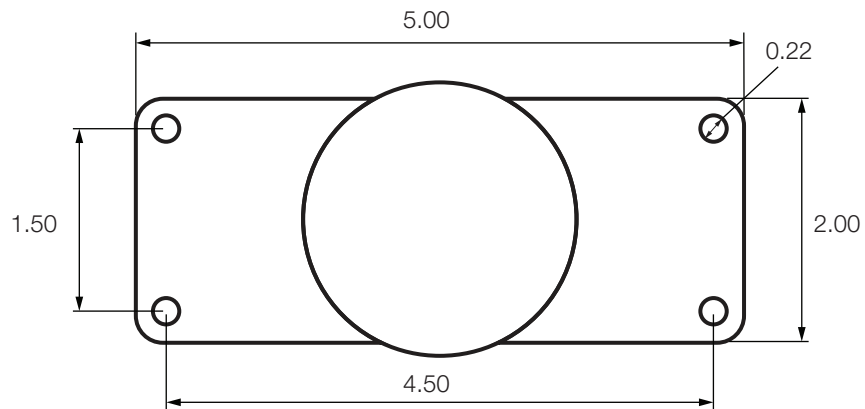
# Drawings Section

---



## RAM-B-107-1B

For: RAM-B-107-1B, RAM-B-107-1

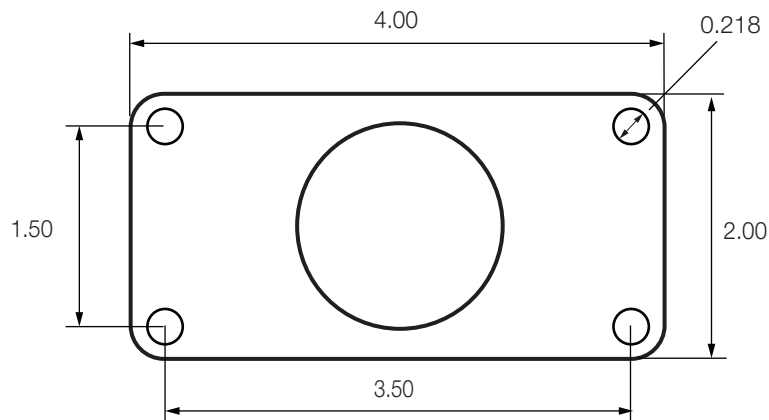


## RAM-202U-25

For: RAM-202U-25, RAM-D-202U-25, RAM-D-202-25-C-202

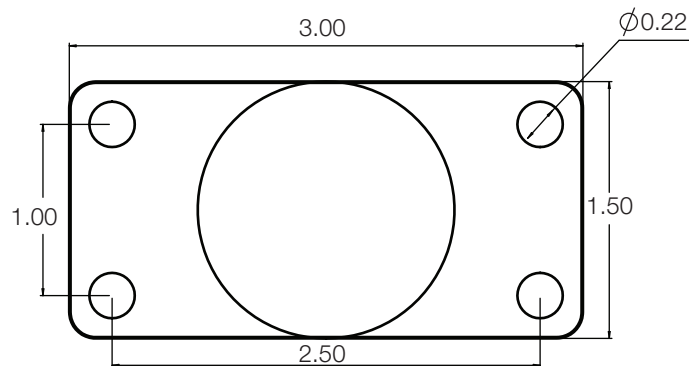
# Drawings Section

---



## RAM-202U-24

For: RAM-B-202U-24, RAM-202U-24, RAM-202-24-B-202, RAM-202-24-202



## RAM-202U-153

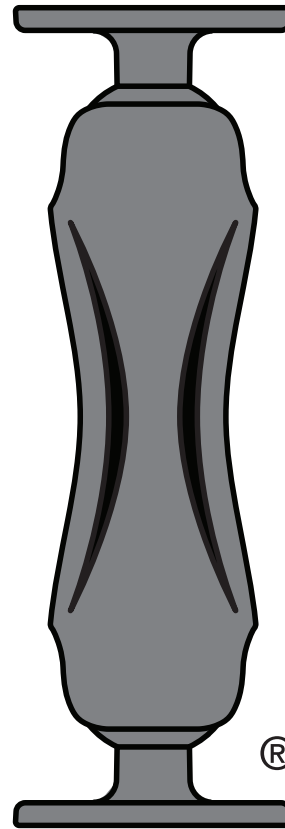
For: RAM-B-202-153, RAM-202U-153, RAM-202-153-B-202, RAM-202-153-202

# The Shape That Started it All

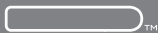
---

RAM® double socket arms with their distinctive Hourglass Shape are recognized globally as a symbol of the reliability, quality and durability of this line of products. The Hourglass Shape is a registered trademark of National Products Inc.

The unique RAM Mounts system offers a full line of interchangeable mounting bases, extensions, device adapters and accessories to secure your gear where you want it. See all of the innovative products and solutions RAM manufactures at [rammount.com](http://rammount.com).



The RAM Hourglass Shape of the Double Socket Arms is a registered trademark of National Products Inc.



The distinctive “D” product shape of the GDS® connector is a trademark of National Products Inc.



The distinctive RAM “X-Grip” product shape is a registered design and trademark of National Products Inc.



GDS®, IntelliSkin®, GDS Tech™, GDS Technology™, GDS Green™ and GDS Compatible™ are trademarks or registered trademarks of National Products Inc.



---

RAM® Mounts is a division of National Products Inc.  
8410 Dallas Avenue South  
Seattle, WA 98108  
Phone: 800.497.7479  
sales@rammount.com  
rammount.com

Lifetime Warranty  
Patents and Trademarks  
rammount.com/ip

National Products Inc.  
Would like to thank the following:  
Master Marine Boat Center Inc.  
Nixon's Marine Inc.  
Waypoint Marine Group  
Wooldridge Boats Inc.



Contact Us

sales@rammount.com  
1-800-497-7479

Join Our Community



NPI-CAT-MARINE17  
MAY 2017