



**RAM[®]
MOUNTS**

Paddlesports



About RAM[®] Mounts

RAM Mounts manufactures rugged and versatile mounting systems for cameras, tablets and other mobile devices that can be attached nearly anywhere. Unlike other mounts on the market, RAM allows you to mount items where you need them most. The unique design of the RAM Mounts system provides quick installation, adjustability, strength, vibration dampening and durability — all at a low cost. RAM uses powder-coated marine-grade aluminum with lightweight and high-strength composites, stainless steel hardware and rubber balls. RAM Mounts are made in the USA and backed by a lifetime warranty.

The RAM Difference



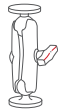
Made in the USA

Designed and manufactured in Seattle, Washington



Lifetime Warranty

RAM products are backed by a lifetime warranty against manufacturer's defects for decades of worry-free use



Modular Design

The rubber ball and socket design offers a secure hold with vibration dampening and component interchangeability



Designed & Developed In-House

Each RAM Mount is designed in-house using the most advanced industry techniques

Partner with RAM® Mounts

Here at RAM Mounts, we believe that unfathomable things are possible with ingenuity. With a portfolio of over 5,000 SKUs paired with innovative engineers and product experts in-house, we have the tools and expertise needed to create solutions that you didn't know were possible. We have the ability to solve your mounting challenges quickly, efficiently and cost effectively.

No matter your company's size, you can trust RAM Mounts to deliver ingenious solutions that do exactly what you need them to do on the water.



Made in the USA

When you choose RAM® Mounts, you're not only getting a durable and innovative solution – you're investing in the livelihood of someone like you, their families, and the American economy. Behind every RAM product is the work of more than 300 dedicated Americans who design, engineer and hand-assemble in Seattle, WA. Manufacturing in the USA allows us to deliver the highest uncompromising standards of quality and distribution.



Lifetime Warranty

Our philosophy is simple: build the best products available. We stand behind the legendary craftsmanship of our products because we manufacture them to last. You can count on RAM® to partner with you long-term, delivering product support when you need it most. We create the best mounting solutions in the world, built by hand, and backed for life.



What You Need to Know

1

Why should I choose RAM® Mounts?

For more than two decades, RAM products have been engineered to be rugged and durable. With thousands of interchangeable components to choose from, you can customize your mounting system however you need.

2

How do I ensure my mount will hold up my fishfinder without it dropping over time or in rough water?

RAM products are thoroughly tested with the latest electronics to ensure fit and ruggedness. We have engineered our mounts to withstand the toughest conditions, and backed them with our lifetime warranty.

3

Are RAM Mounts compatible with major electronic brands?

We ensure fit with our top partners across multiple product lines such as Lowrance, Humminbird, Raymarine, Garmin, GoPro and others. RAM Mounts is a modular system designed to be interchangeable.

4

What size do I need?

See the ball selection guide on page 10 to determine the ideal size based on your device's size, weight and environment.

5

Do RAM Mounts protect my electronics?

All RAM Mounts products are engineered to reduce shock and vibration in the most extreme environments, which can extend the lifespan of your valuable electronics.

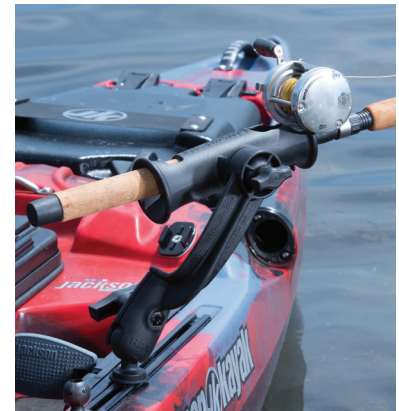
6

Will RAM Mounts help me catch more fish?

RAM Mounts provides the tools to help you achieve the results you desire. Our products can secure your fishfinder, keep your rod in place, give you a table to cut your bait on and position your camera to capture all the action.

Table of Contents

- 7 Rigging Map
- 9 Ball and Socket - How It Works
- 11 Ball Bases
- 17 Socket Arms
- 19 Spline Post - How It Works
- 21 Spline Post Base
- 23 Spline Post Extensions
- 25 Fishing Rod Holders
- 31 Lowrance Mounts
- 33 Humminbird Mounts
- 35 Raymarine Mounts
- 37 Garmin Mounts
- 39 Transducer Mounts
- 41 Handheld Device Mounts
- 43 Phone Mounts
- 45 Tablet Mounts
- 47 Action Camera Mounts
- 53 Cup Holder Mounts
- 55 Accessories
- 59 Stand Up Paddleboard Mounts
- 63 Inflatable Watercraft Mounts
- 65 Compatibility Chart
- 66 Drawings Section
- 69 New Products Coming Soon



Rigging Map

Using RAM® mounting solutions, there are countless ways to customize your kayak using tracks and bases to secure your fishfinder, fishing rod, action camera and much more. This map provides inspiration with a recommended example of a common rigging scenario.



Rigging Map

1



Ball Adapter for GoPro®
pg. 48

2



RAM-ROD®
pg. 26

3



Tough-Cleat™
pg. 55

4



Level Cup™ XL
pg. 54

5



Tough-Tube™ Rod Holder
pg. 29

6



Tough-Track™
pg. 69

7



X-Grip® Phone Mount
pg. 44

8



Transducer Mount
pg. 40

9



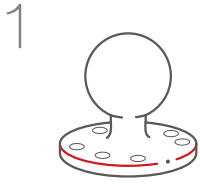
Fishfinder Mount
pg. 32

10



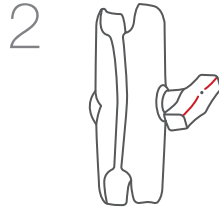
Tough-Pole™ Camera Mount
pg. 50

Ball and Socket - How It Works



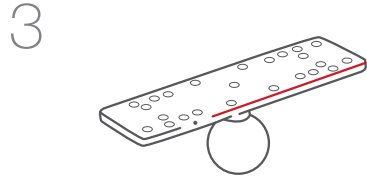
Choose a **base**

Choose from a variety of bases to help secure your device where you need it.



Choose an **arm**

Choose an arm based on your desired length and placement.



Choose a **device adapter**

RAM® offers a wide selection of adapters and cradles for your specific device.



Modular Solutions for Every Use

Slip Resistant

The marine-grade aluminum and composite arm provides a strong hold that reduces slip on the rubber ball

Guaranteed

RAM Mounts offers a lifetime warranty on all mounting hardware

Made in the USA

Designed and manufactured in the USA using the highest quality materials

Vibration Dampening

The rubber ball absorbs the impact of rough waves, providing shock and vibration dampening

Adjustable

With nearly 360 degrees of articulation, each product can be adjusted to any angle with the turn of a single knob

Ball and Socket - How It Works

Ball Size Selection Guide

Each ball size in the RAM® Mounts rubber ball and socket system supports a different amount of weight and withstands increasingly intense vibration. Use the guide below to determine the ideal size for your system based on your device weight and application. For heavy duty and trolling applications, refer to page 20.



B Size

- 1" Diameter Ball
- Holds up to 4lbs
- Ideal for cup holders, cameras and fishfinders up to 5"



C Size

- 1.5" Diameter Ball
- Holds up to 7lbs
- Ideal for tablets, fishing rods and fishfinders up to 7"

Ball Bases

- 1 RAP-390-RB-TRA1, Tube Jr.™ with Track Ball™ base
- 2 RAP-B-354-TRA1, 1" Track Ball Base



Ball Bases

Track Ball™

Designed to be compatible with all track mounting systems, these bases provide a universal mounting solution for a wide variety of RAM® kayak products including fishing rod holders, action cameras, transducer arms and more. A quick turn of the ball allows the base to slide along tracks, giving you ultimate flexibility in positioning your gear.

The RAP-B-354-TRA1 and RAP-354-TRA1 give you the lowest profile and one-handed operation, while the RAP-B-383 and RAP-383 lock to prevent unintentional rotation. For vertical installs, choose the RAP-354-AAPRU.



RAP-B-354-TRA1

RAP-383

RAP-354-AAPRU

| Part Number | Ball Size | Description |
|----------------|-----------|-------------------------------|
| RAP-B-354-TRA1 | 1" (B) | Track Ball base |
| RAP-354-TRA1 | 1.5" (C) | Track Ball base |
| RAP-B-383 | 1" (B) | Quick Release Track Ball base |
| RAP-383 | 1.5" (C) | Quick Release Track Ball base |
| RAP-354-AAPRU | 1.5" (C) | Side Track Ball base |

Ball Bases

Drill-Down Bases

The RAM® Mounts rubber ball is unique to the RAM Mounts system. This innovative rubber ball delivers vibration dampening, nearly 360-degrees of adjustability and the ruggedness that the marine environment demands. RAM ball bases are offered in both marine-grade aluminum and high-strength composite.



RAP-202-225



RAP-B-238



RAM-B-202

| Part Number | Ball Size | Material | Plate Size | Hole Pattern |
|----------------|-----------|-------------------------|---------------------|--------------|
| RAP-B-238 | 1" (B) | High-strength composite | 1.3" x 2.5" Diamond | 2-Hole AMPs |
| RAM-B-238 | 1" (B) | Marine-grade aluminum | 1.3" x 2.5" Diamond | 2-Hole AMPs |
| RAP-B-202 | 1" (B) | High-strength composite | 2.5" Diameter | 4-Hole AMPs |
| RAM-B-202 | 1" (B) | Marine-grade aluminum | 2.5" Diameter | 4-Hole AMPs |
| RAP-202 | 1.5" (C) | High-strength composite | 2.5" Diameter | 4-Hole AMPs |
| RAM-202 | 1.5" (C) | Marine-grade aluminum | 2.5" Diameter | 4-Hole AMPs |
| RAP-B-202U-225 | 1" (B) | High-strength composite | 2" x 2.5" Rectangle | 1.5" x 2" |
| RAP-202-225 | 1.5" (C) | High-strength composite | 2" x 2.5" Rectangle | 1.5" x 2" |

Ball Bases

Adhesive

This double-sided adhesive PSA stick pad is a great solution for mounting lightweight devices without the need to drill holes. Works on flat and curved surfaces with or without textures and includes a sealed alcohol prep pad.

Suction Cup

The RAM® Twist-Lock™ Suction Cup features a diamond base and is a popular solution for mounting to any smooth, non-porous surface. Optionally, attach the suction cup to nearly any flat surface using the adhesive round disk.



RAM-B-378



RAM-B-224-1



RAM-350-35B

| Part Number | Ball Size | Diameter |
|-------------|-----------|----------|
| RAP-B-378 | 1" (B) | 2.5" |

| Part Number | Ball Size | Suction Diameter | Accessory Disc |
|-------------|-----------|------------------|----------------|
| RAM-B-224-1 | 1" (B) | 3.3" | RAP-350-35B |

Ball Bases

Tough-Claw™

The RAM® Tough-Claw provides a flexible mount for round rails or flat edges. The T-shaped knob means that you do not need any tools to install, remove or transfer your mount. Simply loosen the knob, reposition and secure.

Tough-Ball™

The Tough-Ball is available in both B and C Size and is designed to connect to the threaded hole of a kayak or SUP.



RAP-400



RAP-B-400



RAP-379U-252050-KAY1



RAP-B-379U-M81208
For Red Paddle Board

| Part Number | Ball Size | Clamp Range |
|-------------|-----------|--------------|
| RAP-B-400 | 1" (B) | .625" - 1.5" |
| RAP-400 | 1.5" (C) | .625" - 1.5" |

| Part Number | Ball Size | Threaded Post |
|------------------------|-----------|---------------|
| RAP-B-379U-252050-KAY1 | 1" (B) | 1/4"-20 x .5" |
| RAP-379U-252050-KAY1 | 1.5" (C) | 1/4"-20 x .5" |
| RAP-B-379U-M81208 | 1" (B) | M8-1.25 x 8mm |

Ball Bases

Wedge

If you need more versatility in device placement and don't want to drill holes, use the RAM® wedge base. The RAP-B-354-75 is designed to drop in a rod holder post and spline base, while the RAP-354-162U and RAP-385-12U are designed to drop in flush mount tube rod holders.

Ball with Swivel Post

Convert any post and spline base into a ball base with this adapter, allowing you to use your existing rod holder base to support a wide variety of ball and socket components to hold your fishfinder or other devices.



RAP-B-354-75

Designed to go into post and spline



RAP-354-162U

Flush mount/
tube rod holder



RAP-385-12U

Flush mount/tube
rod holder



RAP-354-419U



RAP-B-354-419U

| Part Number | Ball Size | Compatible Holes |
|----------------|-----------|---------------------------------|
| RAP-B-354-75 | 1" (B) | RAM, Attwood & Fish-on bases |
| RAP-354-75 | 1.5" (C) | RAM, Attwood & Fish-on bases |
| RAP-B-354 | 1" (B) | Scotty and Hobie sail port base |
| RAP-354 | 1.5" (C) | Scotty and Hobie sail port base |
| RAP-B-354-162U | 1" (B) | Flush mount tubes |
| RAP-354-162U | 1.5" (C) | Flush mount tubes |
| RAP-385-12U | 1.5" (C) | Flush mount tubes |
| RAP-385-18U | 1.5" (C) | Flush mount tubes |
| RAP-B-385-12U | 1" (B) | Flush mount tubes |
| RAP-B-385-18U | 1" (B) | Flush mount tubes |

| Part Number | Ball Size | Description |
|----------------|-----------|-------------------------------|
| RAP-B-354-419U | 1" (B) | Fits any spline RAM post base |
| RAP-354-419U | 1.5" (C) | Fits any spline RAM post base |

Socket Arms



1

RAP-B-354-TRA1, 1" Track Ball™ base
RAM-B-201-C, Long Double Socket Arm for 1" Ball
RAM-B-202-LO11, Lowrance Quick Release Adapter with 1" Ball

1

Socket Arms

Arm Sizes

RAM® Mounts feature a double ball and socket system, providing modularity and adjustability. The RAM arm connects mounting bases to your device, and is available in multiple sizes and lengths.



B Size
RAM-B-201



C Size
RAM-201

B Size 1"

| Part Number | Material | Overall Length | Socket to Socket |
|---------------|-------------------------|----------------|------------------|
| RAM-B-201-A | Marine-grade aluminum | 2.38" | 1.75" |
| RAM-B-201 | Marine-grade aluminum | 3.69" | 3" |
| RAM-B-201-C | Marine-grade aluminum | 6" | 5.25" |
| RAP-B-201-A | High-strength composite | 2.38" | 1.75" |
| RAP-B-201 | High-strength composite | 3.69" | 3" |
| RAP-B-200-12U | High-strength composite | 4.2" | 3.5" |

C Size 1.5"

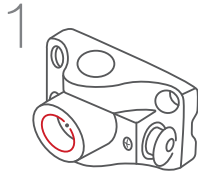
| Part Number | Material | Overall Length | Socket to Socket |
|-------------|-------------------------|----------------|------------------|
| RAM-201-B | Marine-grade aluminum | 3.5" | 2.25" |
| RAM-201 | Marine-grade aluminum | 5.625" | 4.5" |
| RAM-201-D | Marine-grade aluminum | 9.125" | 8" |
| RAP-201U-B | High-strength composite | 3.5" | 2.25" |
| RAP-201U | High-strength composite | 5.625" | 4.5" |

Spline Post - How it Works

RAP-394-SSBMP, Tough-Tube™
with Spline Post and Bulkhead/
Flat Surface base

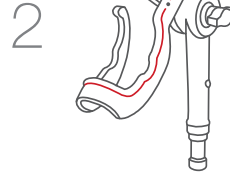


Spline Post - How it Works



Choose a **base**

Choose from a variety of bases to help secure your device where you need it.



Choose a **rod holder**

Choose from a variety of rod holders depending on your needs when out on the water.



Spline Post Base

Track Base

Ready to mount the full line of RAM® spline post rod holders, these bases are compatible with almost all track systems and are easy to install, adjust and fasten. With the Adapt-A-Post™, simply press the release button to quickly remove your spline post. Using the dual track base, just turn the knobs to loosen.



RAP-AAPU



RAP-421

| Part Number | Description |
|--------------|---------------------------------------|
| RAP-421 | Dual track base |
| RAP-AAPU | Adapt-A-Post Track base |
| RAP-383-AAPU | Adapt-A-Post Quick Release track base |
| RAP-AAPRU | Adapt-A-Post Vertical track base |

Spline Post Base

Wedge

This base provides a great way to mount any RAM® post and spline fishing rod holder and extension arms (in a low-profile fashion) with a quick disconnect feature. Simply slide the wedge into the round opening of your flush mount rod holder and tighten the screw to secure the wedge.



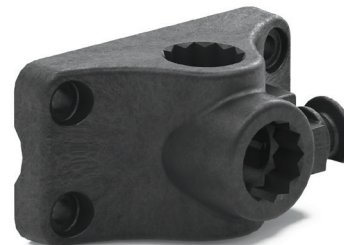
RAP-AAP-162U

Drill-Down and Flush Mount

The Combination Bulkhead/Flat Surface Mounting Base features a locking mechanism, requiring the release of a plunger to remove the rod holder. The Round Flush Base is compatible with all RAM-ROD® holders with a spine post and is an excellent solution for kayaks with limited mounting space.



RAM-114FMT



RAM-114BMP

| Part Number | Description | Compatible Holes |
|--------------|-------------------------------|-------------------|
| RAP-AAP-162U | Adapt-A-Post™ with wedge base | Flush mount tubes |

| Part Number | Description |
|---------------|------------------------------------|
| RAM-114BM | Bulkhead base |
| RAM-114BMP | Bulkhead/flat surface plunger base |
| RAM-114FM | Rectangular flush base |
| RAM-114FMT | Round flush base |
| RAP-386B-AAPU | Adapt-A-Post with AMPs base |

Spline Post Extensions



RAP-390, Tube Jr.™ with Spline Post
RAP-114-PAU, RAM-ROD®

Spline Post Extensions

Compatible with all RAM® fishing rod holders and accessories using the spline post interface, these extensions are simple add-ons that provide increased functionality and versatility to your fishing setup while enabling an ideal position for your rod holder.



RAP-114-EX8



RAP-114-AP-RBU



RAP-114-APB2U

| Part Number | Description |
|----------------|------------------------------------|
| RAP-114-EX6 | 9" PVC pipe extension |
| RAP-114-EX8 | 11" PVC pipe extension |
| RAP-114-EX12 | 15" PVC pipe extension |
| RAP-114-APB2 | 13.5" Ratchet extension |
| RAP-114-APB3U | 16" Ratchet extension |
| RAP-114-AP-RBU | 11.5" Ratchet with 1.5" (C) socket |
| RAP-114-PAU | 8" Ratchet arm |

Fishing Rod Holders

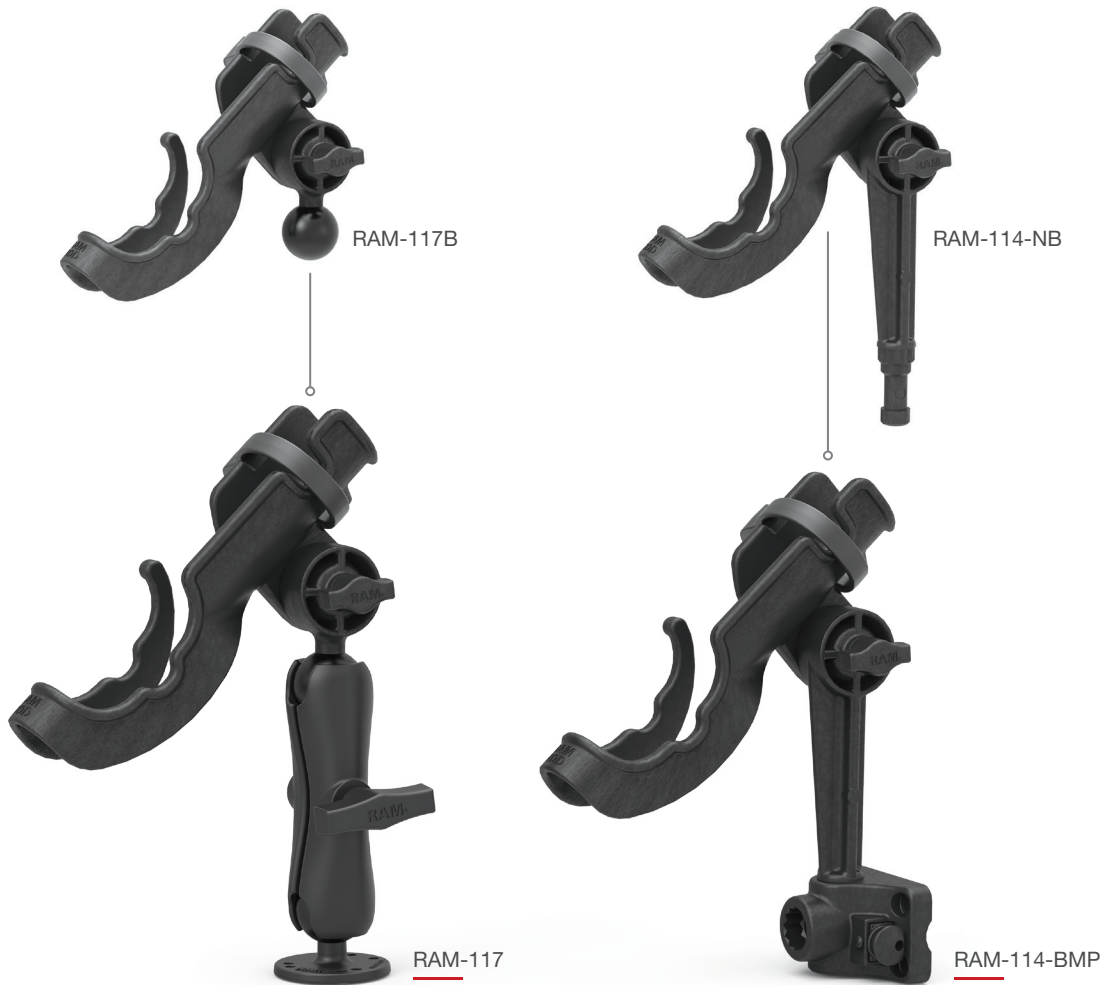


RAP-114-PA-421, RAM-ROD®
with Spline Post, Extension Arm
and Track base

Fishing Rod Holders

RAM-ROD® Holder

A must-have for the fishing enthusiast, the RAM-ROD can support almost any spinning reel or baitcaster with an optional locking latch. The RAM-ROD offers a secure hold for rough waters while also offering quick removal of your rod. Compatible with any RAM® post and spline or ball and socket mounting systems.



Kits

| Part Number | Description |
|-----------------|--|
| RAM-114-B | Post with bulkhead base |
| RAM-114-BMP | Post with bulkhead/flat surface plunger base |
| RAM-114-F | Post with flush base |
| RAP-114-PA-421 | Ratchet arm with dual track base |
| RAM-114-RB | Revolution arm and drill-down ball base |
| RAM-114-RB-TRA1 | Revolution arm and Track Ball™ base |
| RAP-340 | Single ball and socket with drill-down base |
| RAP-340-TRA1 | Single ball and socket with Track Ball base |
| RAM-117 | Double ball and socket with drill-down base |

Holders

| Part Number | Description |
|--------------|-------------------------------------|
| RAM-114-NB | 6" post |
| RAM-114-RBNU | Revolution arm with 1.5" (C) socket |
| RAP-340NB | 1.5" (C) socket arm |
| RAM-117B | 1.5" (C) ball |

Fishing Rod Holders



RAP-390-RB-TRA1, Tube Jr.™ with Track Ball™ base

Fishing Rod Holders

RAM® Tube Jr.™ Holder

Lightweight and incredibly versatile, the RAM Tube Jr. features an open-ended tube for securing spinning reels on one end, and baitcasters on the opposite end. Various grooves and locking slots are integrated into this tube to secure any fishing rod in the most comfortable position for the user.



Kits

| Part Number | Description |
|-----------------|---|
| RAP-390-BMP | 6" Post with bulkhead/flat surface plunger base |
| RAP-390-SBMP | 4" Post with bulkhead/flat surface plunger base |
| RAP-390-BU | 6" Post with bulkhead base |
| RAP-390-SBU | 4" Post with bulkhead base |
| RAP-390-F | 6" Post with flush base |
| RAP-390-SF | 4" Post with flush base |
| RAP-390-FMT | 6" Post with round flush base |
| RAP-390-SFMTU | 4" Post with round flush base |
| RAP-390-AAP | 6" Post with Adapt-A-Post™ track base |
| RAP-390-SAAPU | 4" Post with Adapt-A-Post track base |
| RAP-390-PA-418 | Ratchet arm with track base |
| RAP-390-PA-421 | Ratchet arm with dual track base |
| RAP-390-RB | Revolution arm and drill-down ball base |
| RAP-390-RB-TRA1 | Revolution arm and Track Ball™ base |

Holders

| Part Number | Description |
|---------------|-------------------------------------|
| RAP-390 | 6" post |
| RAP-390-STU | 4" post |
| RAP-390-RB-NB | Revolution arm with 1.5" (C) socket |

Fishing Rod Holders

RAM-TUBE™ and Tough-Tube™

The RAM-TUBE series features a large universal tube holder for securing most fishing rods for any environment. Available with the post and spline or ball and socket interface.



Kits

| Part Number | Description |
|----------------|--|
| RAP-394-SSBMP | Tough-Tube with bulkhead/flat surface plunger base |
| RAP-394-SSF | Tough-Tube with flush base |
| RAP-394-SSFMT | Tough-Tube with round flush base |
| RAP-394-418 | Tough-Tube with track base |
| RAP-119 | 1.5" (C) Socket arm with drill-down base |
| RAM-119 | 1.5" (C) Socket arm with drill-down base |
| RAP-119-TRA1 | 1.5" (C) Socket arm with Track Ball™ base |
| RAM-301-B | Post with bulkhead base |
| RAM-301-BMP | Post with bulkhead/flat surface plunger base |
| RAM-301-F | Post with flush base |
| RAM-301-RB | Revolution arm with 1.5" (C) drill-down ball base |
| RAP-385-12-394 | Tough-Tube with Press-N-Lock™ base |

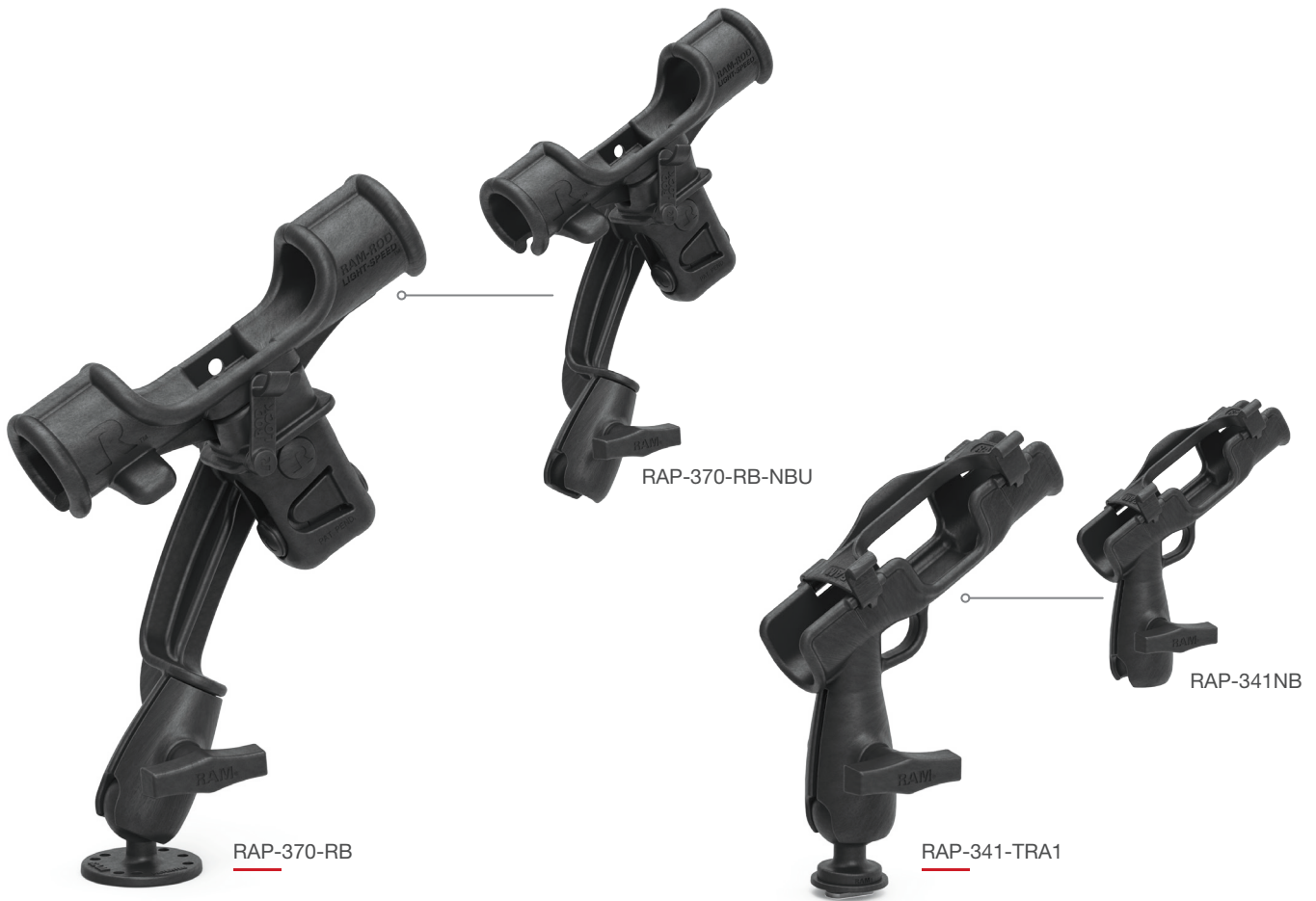
Holders

| Part Number | Description |
|---------------|-------------------------------------|
| RAP-394-SST | Tough-Tube with post |
| RAP-119NBU | 1.5" (C) socket arm |
| RAM-301-NB | 6" post |
| RAM-301-RBNBU | Revolution arm with 1.5" (C) socket |

Fishing Rod Holders

Light-Speed™ and Fly Rod Jr.

The RAM® Light-Speed series is ideally suited for spinning reels and baitcasting reels, while the Fly Rod Jr. is designed specifically for fly rods and reels.



Kits

| Part Number | Description |
|--------------|---|
| RAP-370-R | Light-Speed post with rail base |
| RAP-370-RB | Light-Speed Revolution arm with 1.5" (C) drill-down ball base |
| RAP-370-B | Light-Speed post with bulkhead base |
| RAP-370-F | Light-Speed post with flush base |
| RAP-341 | Fly Rod Jr. with drill-down ball base |
| RAP-341-TRA1 | Fly Rod Jr. with Track Ball™ base |

Holders

| Part Number | Description |
|----------------|---|
| RAP-370-NBU | Light-Speed with 4" post |
| RAP-370-RB-NBU | Light-Speed Revolution arm with 1.5" (C) socket |
| RAP-341NB | Fly Rod Jr. with 1.5" (C) socket |

Lowrance Mounts

RAM-111B, Lowrance Elite-7 Chirp Adapter
RAM-201, Medium Double Socket Arm for 1.5" Ball
RAM® Ball attachment for Hobie H-Rail



Lowrance Mounts

RAM® offers the most reliable mounting systems for your Lowrance head unit no matter where you need it. Use the RAM-107B to connect to the existing factory gimbal bracket. For the Elite and HOOK™ series, the RAM-B-202-LO11 quick release ball integrates directly into the device to replace the factory gimbal bracket.



Kits

| Part Number | Compatible Device | Mount Type |
|-------------------------|---|------------|
| RAM-B-101-LO11 | HOOK-3x, Elite-4, HOOK-4, Elite-5, HOOK-5 | Drill-down |
| RAM-B-101-C-LO11 | HOOK-3x, Elite-4, HOOK-4, Elite-5, HOOK-5 | Drill-down |
| RAP-B-202-LO11-354-TRA1 | HOOK-3x, Elite-4, HOOK-4, Elite-5, HOOK-5 | Track |
| RAM-B-107 | Elite-4, HOOK-4, Elite-5, HOOK-5 | Drill-down |
| RAP-B-107B-354-TRA1 | Elite-4, HOOK-4, Elite-5, HOOK-5 | Track |
| RAM-107 | Elite-7, HOOK-7 | Drill-down |
| RAM-101-LO11 | Elite-7, HOOK-7 | Drill-down |
| RAM-111 | HDS-7, Elite-7 | Drill-down |
| RAM-111-B | HDS-7, Elite-7 | Drill-down |
| RAM-111B-354-TRA1 | HDS-7, Elite-7 | Track |

*see page 65 for all device compatibility

Holders

| Part Number | Ball Size | Compatible Device |
|----------------|-----------|---|
| RAM-B-202-LO11 | 1" (B) | HOOK-3x, Elite-4, HOOK-4, Elite-5, HOOK-5 |
| RAM-B-107B | 1" (B) | Elite-4, HOOK-4, Elite-5, HOOK-5 |
| RAM-107B | 1.5" (C) | Elite-7, HOOK-7 |
| RAM-202-LO11 | 1.5" (C) | Elite-7, HOOK-7 |
| RAM-111B | 1.5" (C) | HDS-7, Elite-7 |

*see page 66 for drawings

Humminbird Mounts

RAM-202-24-202, Drill-down Mount for
the Humminbird Helix 7



Humminbird Mounts

No matter which Humminbird unit you have, RAM® offers a wide range of double ball and socket mounts – in a variety of sizes and lengths – so you can position your device at the best angle and in the perfect location.



Kits

| Part Number | Compatible Device | Mount Type |
|------------------------|-------------------|------------|
| RAM-B-107-1 | PiranhaMAX Series | Drill-down |
| RAP-B-107-1B-354-TRA1 | PiranhaMAX Series | Track |
| RAM-B-107 | 500 & 600 Series | Drill-down |
| RAP-B-107B-354-TRA1 | 500 & 600 Series | Track |
| RAM-202-153-202 | Helix 5 | Drill-down |
| RAP-B-202-153-354-TRA1 | Helix 5 | Track |
| RAM-202-24-202 | Helix 7 | Drill-down |
| RAM-202-24-354-TRA1 | Helix 7 | Track |

*see page 65 for all device compatibility

Holders

| Part Number | Ball Size | Compatible Device |
|--------------|-----------|-------------------|
| RAM-B-107-1B | 1" (B) | PiranhaMAX Series |
| RAM-B-107B | 1" (B) | 500 & 600 Series |
| RAM-202U-153 | 1.5" (C) | Helix 5 |
| RAM-202U-24 | 1.5" (C) | Helix 7 |

*see page 66 for drawings

Raymarine Mounts

RAP-B-379U-M616, Raymarine Dragonfly 4 Adapter
RAM-B-201, Medium Double Socket Arm
RAP-B-354-TRA1, 1" Track Ball™ Base



Raymarine Mounts

To accommodate the smaller Dragonfly and WiFish devices, RAM® has developed the Tough-Ball™ that threads directly into the head unit for a clean and secure install. Mount your Raymarine device virtually anywhere with standard drill-down kits or customize with any combination of ball and socket components.



Kits

| Part Number | Compatible Device | Description |
|----------------------|-------------------------|-------------------|
| RAM-B-202-379-M616 | Dragonfly 4, 5 & WiFish | Drill-down mount |
| RAM-B-400-379-M616 | Dragonfly 4, 5 & WiFish | Tough-Claw™ mount |
| RAM-B-224-1-379-M616 | Dragonfly 4, 5 & WiFish | Suction cup mount |
| RAM-101-RYM1 | Dragonfly 6 & 7 | Drill-down mount |

*see page 65 for all device compatibility

Holders

| Part Number | Ball Size | Compatible Device |
|-----------------|-----------|-------------------------|
| RAP-B-379U-M616 | 1" (B) | Dragonfly 4, 5 & WiFish |
| RAM-202U-RYM1 | 1.5" (C) | Dragonfly 6 & 7 |

*see page 66 for drawings

Garmin Mounts



RAP-B-111BU, Garmin Striker 5 Adapter
RAM-B-201-C, Long Double Socket Arm
RAM-B-354-TRA1, 1" Track Ball™ base

Garmin Mounts

Your Garmin electronics deserve only the best when it comes to rugged and reliable mounting. RAM® Mounts will keep your GPSMAP, echoMAP or Striker unit exactly where you want it, with vibration dampening to keep your fishfinder secure while on choppy waters.



Kits

| Part Number | Compatible Device | Mount Type |
|---------------------|--|------------|
| RAM-B-101-G4 | Striker 4, echoMAP 42-55, GPSMAP 527 & 547 | Drill-down |
| RAM-B-111 | Striker 5 | Drill-down |
| RAM-B-111U-C | Striker 5 | Drill-down |
| RAM-B-111U-A | Striker 5 | Drill-down |
| RAP-B-111B-354-TRA1 | Striker 5 | Track |
| RAM-111 | Striker 7, echoMAP 72-95 | Drill-down |
| RAM-111-B | Striker 7, echoMAP 72-95 | Drill-down |
| RAM-111B-354-TRA1 | Striker 7, echoMAP 72-95 | Track |

*see page 65 for all device compatibility

Holders

| Part Number | Ball Size | Compatible Device |
|---------------|-----------|--|
| RAM-B-202-G4U | 1" (B) | Striker 4, echoMAP 42-55, GPSMAP 527 & 547 |
| RAM-B-111B | 1" (B) | Striker 5 |
| RAM-111B | 1.5" (B) | Striker 7, echoMAP 72-95 |

*see page 66 for drawings

Transducer Mounts



RAM-B-316-18-TRA1-TRA1,
Track Ball™ Mount for Transducer

Transducer Mounts

Kayak fishing is all about adaptability, which is why RAM® offers a deployable transducer arm for kayaks. This solution enables the quick and effective deployment and retrieval of your transducer, while protecting it from damage. This unique design provides a universal solution for virtually any kayak as well as any transducer.



RAM-354-TRA1

Coming Soon

RAM-316-18-TRA4-NB
(Track Ball™ not included)



RAM-B-316-18-TRA1

RAM-B-316-18-TRA1

Kits with Base

| Part Number | Compatible Transducer | Mount Type |
|------------------------|--------------------------------------|------------|
| RAM-B-316-18-TRA1 | Universal (1/4"-20 screw attachment) | Drill-down |
| RAM-B-316-18-TRA1-TRA1 | Universal (1/4"-20 screw attachment) | Track |
| RAM-B-316-18-TRA2 | HydroWave Speaker | Drill-down |
| RAM-B-316-18-TRA3 | Lowrance StructureScan LSS-1 & LSS-2 | Drill-down |

Kits with no Base

| Part Number | Ball Size | Compatible Transducer |
|----------------------|-----------|--------------------------------------|
| RAM-B-316-18-TRA1-NB | 1" (B) | Universal (1/4"-20 screw attachment) |
| RAM-B-316-18-TRA2-NB | 1" (B) | HydroWave Speaker |
| RAM-B-316-18-TRA3-NB | 1" (B) | Lowrance StructureScan LSS-1 & LSS-2 |
| RAM-B-316-18-TRA4-NB | 1.5" (C) | Lowrance TotalScan |

Handheld Device Mounts

RAP-HOL-UN4-201U, Device holder with Double Socket Arm;
RAP-B-354-TRA1, 1" Track Ball™ Base



Handheld Device Mounts

Count on RAM® to protect and position your handheld device at the ideal viewing angle. Whether you're mounting a handheld GPS, radio or bluetooth speaker, these cradles provide easy insertion and removal of your device along with multiple options for installation.



RAM-B-138-GA41

RAM-HOL-GA41

RAM-B-138-UN4
RAM Finger-Grip™

RAM-HOL-UN4

| Kits | | |
|----------------|---|------------|
| Part Number | Compatible Devices | Mount Type |
| RAM-B-138-GA40 | Garmin GPSMAP 73, 78, 78S, 78SC | Drill-down |
| RAM-B-138-GA41 | Garmin Astro 320, GPSMAP 62, 64 | Drill-down |
| RAM-B-138-UN4 | Universal - GPS, Radio, Bluetooth Speaker | Drill-down |

| Holders | |
|--------------|---|
| Part Number | Compatible Devices |
| RAM-HOL-GA40 | Garmin GPSMAP 73, 78, 78S, 78SC |
| RAM-HOL-GA41 | Garmin Astro 320, GPSMAP 62, 64 |
| RAM-HOL-UN4 | Universal - GPS, Radio, Bluetooth Speaker |

| RAM Finger-Grip Compatible Dimensions | | |
|---------------------------------------|--------------|-----------------|
| Width Range | Height Range | Thickness Range |
| 1.25" - 3.5" | up to 6" | up to 1.5" |

Phone Mounts

RAM-B-400-C-UN10U,
Tough-Claw™ Mount for Large Phones



Phone Mounts

The RAM® X-Grip® will keep your phone secure while out on the water no matter which mount you use. Whether using your phone as a camera or operating a fishfinder app, your device will stay safe and accessible with the X-Grip.



RAM-B-166-UN7



RAM-HOL-UN10-400

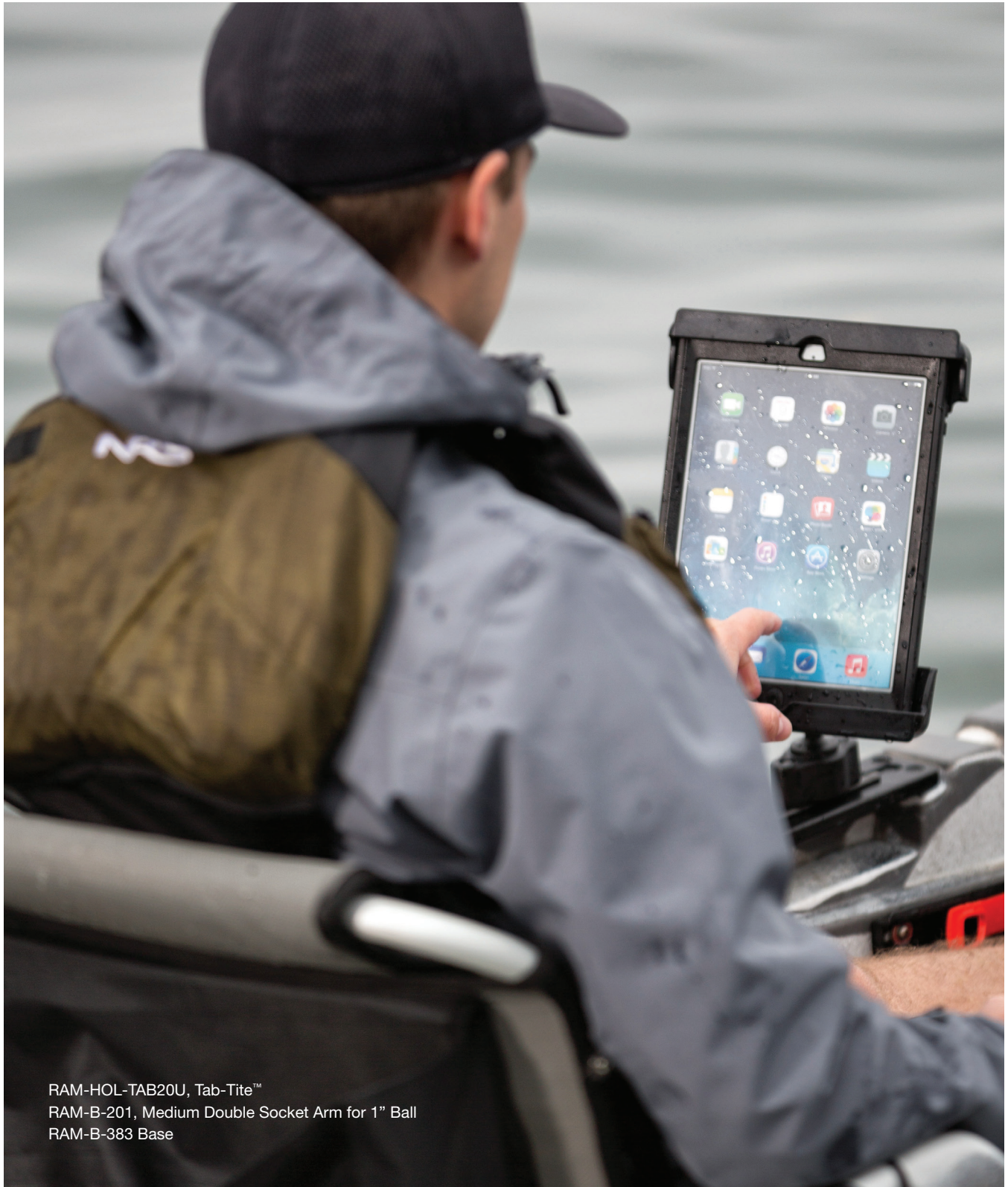
Kits

| Part Number | Phone Size | Mount Type |
|------------------------|--------------|--|
| RAM-B-102-UN7 | Small phones | Drill-down mount - diamond base |
| RAM-B-138-UN7 | Small phones | Drill-down mount - round base |
| RAP-HOL-UN7B-354-TRA1 | Small phones | Track Ball™ mount |
| RAM-B-166-UN7 | Small phones | Twist-Lock™ suction cup - standard arm |
| RAM-B-166-A-UN7U | Small phones | Twist-Lock suction cup - short arm |
| RAM-HOL-UN7-400 | Small phones | Tough-Claw™ mount - low profile |
| RAM-B-400-A-HOL-UN7BU | Small phones | Tough-Claw mount - short arm |
| RAM-B-400-C-UN7U | Small phones | Tough-Claw mount - long arm |
| RAP-B-378-UN7 | Small phones | Flex adhesive mount |
| RAM-B-102-UN10U | Large phones | Drill-down mount - diamond base |
| RAM-B-138-UN10 | Large phones | Drill-down mount - round base |
| RAM-B-166-UN10 | Large phones | Twist-Lock suction cup - standard arm |
| RAM-B-166-C-UN10U | Large phones | Twist-Lock suction cup - long arm |
| RAM-HOL-UN10-400 | Large phones | Tough-Claw mount - low profile |
| RAM-B-400-A-HOL-UN10BU | Large phones | Tough-Claw mount - short arm |
| RAM-B-400-C-UN10U | Large phones | Tough-Claw mount - long arm |
| RAP-B-378-UN10U | Large phones | Flex adhesive mount |

Holders

| Part Number | Ball Size | Phone Size |
|-----------------|-----------|---------------------------------|
| RAM-HOL-UN7B | 1" (B) | Small Phones (up to 3.25" wide) |
| RAM-HOL-UN7BCU | 1.5" (C) | Small Phones (up to 3.25" wide) |
| RAM-HOL-UN10B | 1" (B) | Large Phones (up to 4.5" wide) |
| RAM-HOL-UN10BCU | 1.5" (C) | Large Phones (up to 4.5" wide) |

Tablet Mounts



RAM-HOL-TAB20U, Tab-Tite™
RAM-B-201, Medium Double Socket Arm for 1" Ball
RAM-B-383 Base

Tablet Mounts

RAM® Mounts offers an assortment of tablet mounts so you can take your device out on the water. The unique design of the X-Grip® can support virtually any size tablet. Pair with any RAM double ball and socket mounting system for the best tablet accessory on the market.



RAM-HOL-TAB20U



RAM-HOL-UN8B



RAM-HOL-AP21U

Mounts

| Part Number | Ball Size | Max Height | Mount Type |
|-------------|-----------|------------|------------|
| RAM-B-101 | 1" (B) | 5" | Drill-down |
| RAM-B-101-C | 1" (B) | 7.313" | Drill-down |
| RAM-101 | 1.5" (C) | 7.35" | Drill-down |

Holders

| Part Number | Holder Type | Compatible Device |
|----------------|-------------|------------------------------|
| RAM-HOL-TAB20U | Tab-Tite | 9" - 10" tablets with case |
| RAM-HOL-TAB12U | Tab-Tite | 7" - 8" tablets with case |
| RAM-HOL-UN8B | Tab-Tite | 7" - 8" tablets |
| RAM-HOL-UN9U | X-Grip | 9" - 10" tablets |
| RAM-HOL-UN11U | X-Grip | 10" - 12" tablets |
| RAM-HOL-AP17U | EZ-Roll'r | Apple iPad Air 1-2 & Pro 9.7 |
| RAM-HOL-AP20U | EZ-Roll'r | Apple iPad mini 4 |
| RAM-HOL-AP21U | EZ-Roll'r | Apple iPad Pro 12.9 |

*Visit rammount.com for more tablet mounting options

Action Camera Mounts



RAP-B-GOP2-A-GOP1U, 1"
Ball Adapter for GoPro® bases
with Short Arm and Action
Camera Adapter

Action Camera Mounts

Double Ball Mounts

Count on RAM® to connect to any action camera, whether using the standard 1/4"-20 thread or the modern action camera hinge adapter. The unique double ball and socket design lets you position your camera at the perfect angle with a single knob for 360-degree rotation, and is compatible with several different mount types.



Kits

| Part Number | Ball Type | Mount Type |
|-------------------------|-----------------------|-------------------------------|
| RAM-B-138-A-GOP1 | Action camera adapter | Drill-down mount |
| RAM-B-400-A-GOP1U | Action camera adapter | Tough-Claw™ rail mount |
| RAP-B-202-GOP1-354-TRA1 | Action camera adapter | Track Ball™ mount |
| RAM-B-166-GOP1 | Action camera adapter | Twist-Lock™ suction cup mount |
| RAP-B-GOP2-A-GOP1U | Action camera adapter | GoPro base adapter mount |
| RAM-B-202-A-366U | 1/4"-20 threaded stud | Drill-down mount |
| RAM-B-400-A-366U | 1/4"-20 threaded stud | Tough-Claw rail mount |
| RAP-B-366-153-354-TRA1 | 1/4"-20 threaded stud | Track Ball mount |
| RAM-B-224-1-366 | 1/4"-20 threaded stud | Twist-Lock suction cup mount |

Holders

| Part Number | Tablet Size | Compatible Ball |
|------------------|-------------|----------------------------------|
| RAP-B-202-GOP1 | 1" (B) | Action camera adapter |
| RAP-B-366 | 1" (B) | 1/4"-20 threaded stud |
| RAP-B-379-252025 | 1" (B) | Tough-Ball 1/4"-20 threaded stud |

Action Camera Mounts

RAP-422-18-A-GOP1, Tough-Pole™ Action Camera Mount



Action Camera Mounts

Tough-Pole™ Action Camera Mounts

Get the perfect shot from your action camera when you're out on the water using the RAM® Tough-Pole. Available for track mounts and spline posts, the Tough-Pole provides up to a 36" extension for your action camera.



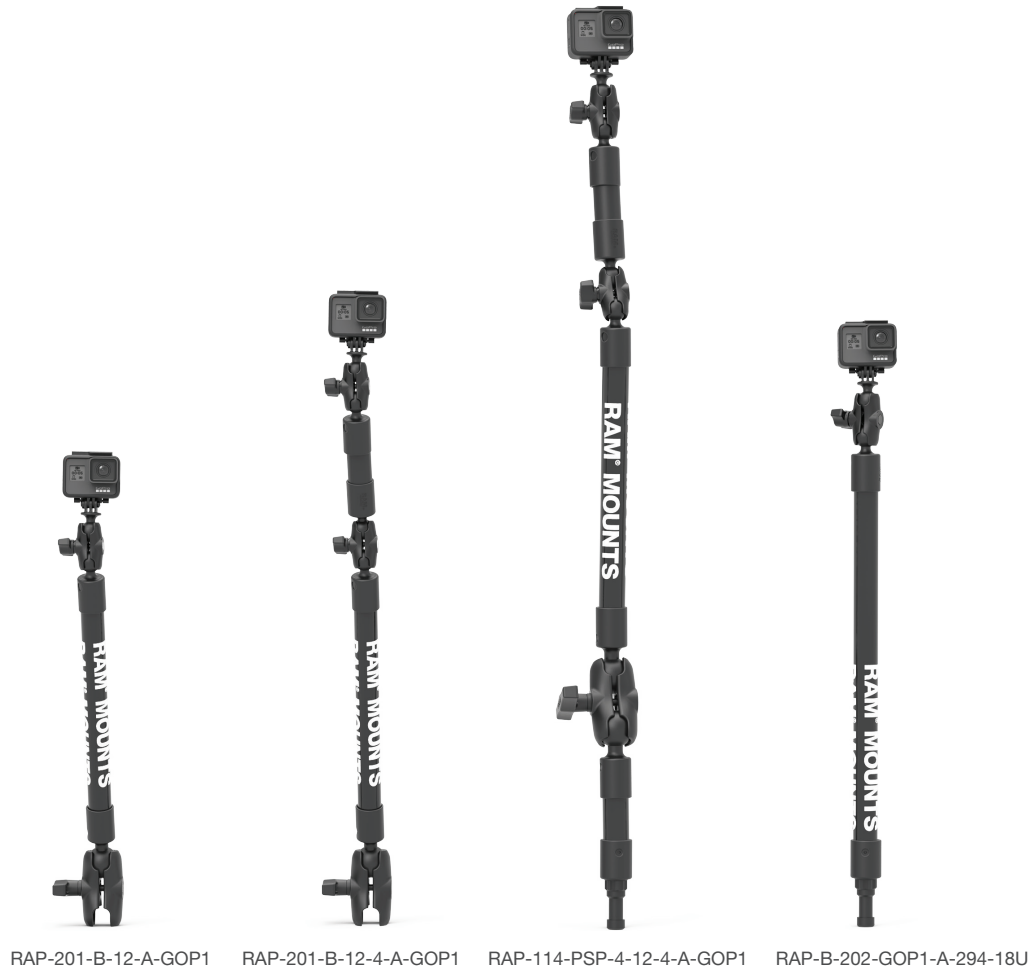
Mounts

| Part Number | Base Type | Pipe Configuration |
|--------------------------|------------------------------------|---|
| RAP-385-12-18-A-GOP1 | Press-N-Lock™ wedge base | Single 18" pipe |
| RAP-385-12-18-18-A-GOP1 | Press-N-Lock™ wedge base | Double 18" pipe - ratchet connection |
| RAP-114BD-4-12-A-GOP1 | Bulkhead/flat surface plunger base | 4" and 12" pipes - ball and socket connection |
| RAM-114BD-4-12-4-A-GOP1 | Bulkhead/flat surface plunger base | 4", 12" and 4" pipes - ball and socket connection |
| RAP-422-18-A-GOP1 | Track base (post/spline) | Single 18" pipe |
| RAP-422-18-18-A-GOP1 | Track base (post/spline) | Double 18" pipe - ratchet connection |
| RAP-354-TRA1-12-A-GOP1 | Track Ball™ base | Single 12" pipe |
| RAP-354-TRA1-12-4-A-GOP1 | Track Ball base | 12" and 4" pipes - ball and socket connection |
| RAP-425-18-A-GOP1 | Track Base (direct to pipe) | Single 18" pipe |
| RAP-425-4-A-GOP1 | Track Base (direct to pipe) | Single 4" pipe |
| RAP-425-18-18-A-GOP1 | Track Base (direct to pipe) | Double 18" pipe - ball and socket connection |
| RAP-425-4-18-A-GOP1 | Track Base (direct to pipe) | 4" and 18" pipe - ball and socket connection |

Action Camera Mounts

Tough-Pole™ Extension Arms

Select from a wide variety of pole lengths with multiple articulation points to capture the best footage while out on the water. The following Tough-Pole extension arms can connect to any post and spline base or any 1.5" ball.

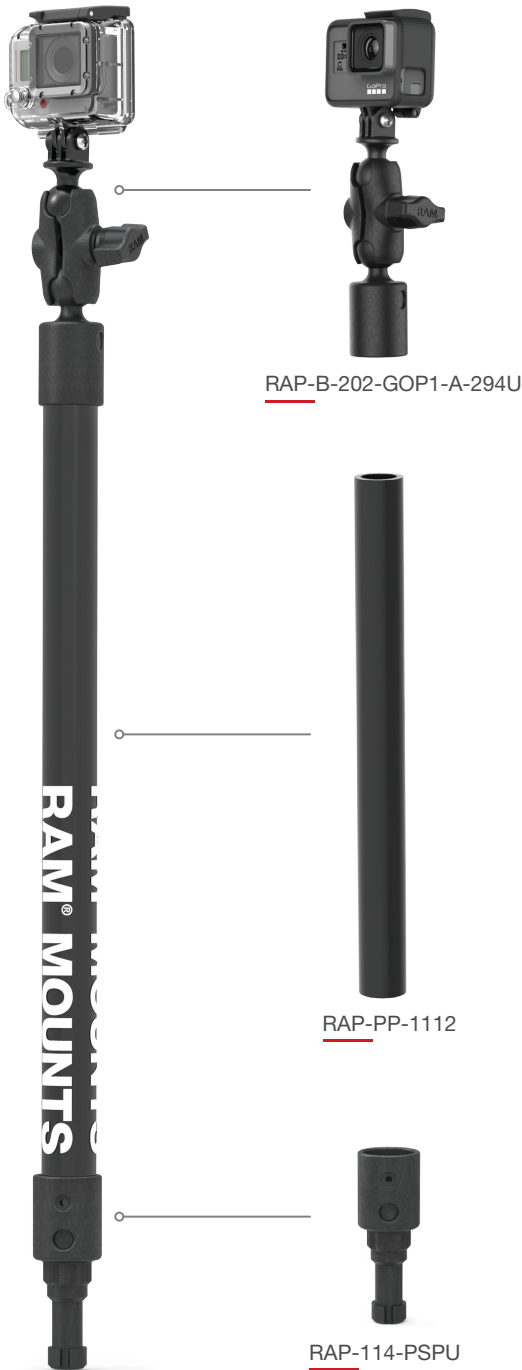


| Part Number | Base Type | Pipe Configuration |
|--------------------------|------------------------------------|---|
| RAP-385-12-18-A-GOP1 | Press-N-Lock™ wedge base | Single 18" pipe |
| RAP-385-12-18-18-A-GOP1 | Press-N-Lock™ wedge base | Double 18" pipe - ratchet connection |
| RAP-114BD-4-12-A-GOP1 | Bulkhead/flat surface plunger base | 4" and 12" pipes - ball and socket connection |
| RAM-114BD-4-12-4-A-GOP1 | Bulkhead/flat surface plunger base | 4", 12" and 4" pipes - ball and socket connection |
| RAP-422-18-A-GOP1 | Track base (post/spline) | Single 18" pipe |
| RAP-422-18-18-A-GOP1 | Track base (post/spline) | Double 18" pipe - ratchet connection |
| RAP-354-TRA1-12-A-GOP1 | Track Ball™ base | Single 12" pipe |
| RAP-354-TRA1-12-4-A-GOP1 | Track Ball base | 12" and 4" pipes - ball and socket connection |
| RAP-425-18-A-GOP1 | Track Base (direct to pipe) | Single 18" pipe |
| RAP-425-4-A-GOP1 | Track Base (direct to pipe) | Single 4" pipe |
| RAP-425-18-18-A-GOP1 | Track Base (direct to pipe) | Double 18" pipe - ball and socket connection |
| RAP-425-4-18-A-GOP1 | Track Base (direct to pipe) | 4" and 18" pipe - ball and socket connection |

Action Camera Mounts

Build Your Own Tough-Pole™

Building and customizing a Tough-Pole to fit your specific needs is easy and can be done in three steps: choosing a top component, choosing the length you need and choosing the bottom connection. See below to see the features and how it can all come together.



1 Choose a top component

| Part Number | Description |
|-----------------------|--------------------------------------|
| RAP-B-202-GOP1-A-294U | Double ball mount for action cameras |
| RAP-AAP-PPU | Adapt-A-Post™ for any spline posts |
| RAP-B-294U | 1" (B) Ball |
| RAP-294U | 1.5" (C) Ball |

2 Choose the length you need

| Part Number | Pipe Length |
|-------------|-------------|
| RAP-PP-1102 | 2" |
| RAP-PP-1104 | 4" |
| RAP-PP-1106 | 6" |
| RAP-PP-1108 | 8" |
| RAP-PP-1112 | 12" |
| RAP-PP-1118 | 18" |

3 Choose a bottom component

| Part Number | Description |
|----------------|---|
| RAP-114-PSPU | Spline Post - connects to any spline post base |
| RAP-201-B-294U | Double Socket Arm - connects to any 1.5" (C) ball (shown in pg. 51) |

Cup Holder Mounts



RAP-429T, Drink Cup Holder Track Mount

Cup Holder Mounts

Coming
Soon

Drink Cup Holder for Tracks

The RAM® Drink Cup Holder for tracks is the perfect cradle for your beverage when out on the water. Fitting a variety of cup sizes, a slot on the side even accommodates your favorite cup or mug with a handle. Hook slots are perfectly placed for lures and the cup holder features two attachment points – one on the side for attaching to vertically-mounted tracks, and one on the bottom for attaching to horizontally-mounted tracks.



RAP-429T

Level Cup™ XL

The self-leveling Level Cup XL keeps your beverages from spilling and integrates an adjustable height option for accommodating large drink sizes, such as tumblers and water bottles. Whether you have a Nalgene or Hydro Flask, the Level Cup XL will secure most 32oz containers.



RAP-B-417B

RAP-B-417B-C-354-TRA1

Kits

| Part Number | Description |
|-----------------------|--|
| RAM-B-132-400 | Level Cup with Tough-Claw™ - low profile |
| RAP-B-417-400 | Level Cup XL with Tough-Claw - low profile |
| RAM-B-417B-C-354-TRA1 | Level Cup XL with Track Ball™ base |
| RAP-419T | Drink cup holder for tracks |

Holders

| Part Number | Cup Holder | Attachment Type |
|-------------------|--------------|---|
| RAM-B-132B | Level Cup | 1" (B) Ball |
| RAP-B-132B-201U | Level Cup | Double socket arm connects to any 1" (B) ball |
| RAP-B-417B | Level Cup XL | 1" (B) Ball |
| RAP-B-417-200-1U | Level Cup XL | Single socket arm connects to any 1" (B) ball |
| RAM-B-417B-C-201U | Level Cup XL | Double socket arm connects to any 1" (B) ball |
| RAP-417B | Level Cup XL | 1.5" (C) Ball |

Accessories

Tough-Cleat™

Create an anchor tie-off point for your kayak while on the river or lake. Simply loosen the knob and slide the T-Bolt attachment along your track mounting system.



RAP-432

Anchor Line Lock

For use with anchor lines up to 1/2" in diameter, this Anchor Line Lock with spline post can be flush mounted or mounted using an existing rod holder base.



RAP-357P

Accessories

| Part Number | Description |
|-------------|---|
| RAP-357U | Anchor Line Lock |
| RAP-357P | Anchor line lock with spline post |
| RAP-357P-B | Anchor line lock with bulkhead plunger base |
| RAP-432 | Tough-Cleat |

Accessories

Tough-Clip™

Coming
Soon

The Tough-Clip Paddle Cradle allows you to easily attach your paddle to a canoe, kayak or paddleboard. The universal design holds most paddles with a handle of 1"-1.31" in circumference.

Vertical Tie-Down

As a pack of two, the Vertical Track Tie Down provides an anchor point for use with your track mounting system to secure coolers and other accessories to your kayak. Designed to work with 1" and 1.5" flat webbing, as well as ropes and bungee cords up to 3/8".



RAP-430TD



RAP-431

Accessories

| Part Number | Description |
|-------------|---|
| RAP-430-224 | Tough-Clip with double suction cup mount |
| RAP-430-400 | Tough-Clip with small Tough-Claw™ |
| RAP-430TD | Tough-Clip with T-Nut and drill-down hardware |
| RAP-431 | Vertical Tie-Down for tracks (Sold in pairs) |

Accessories

STACK-N-STOW™ Bait Board

Keep your tools, knives, and bait handy with the STACK-N-STOW Bait Board. Made of high-strength composite, the Bait Board is durable and rugged. Integrated lure storage on the sides and magnets in the tray secure tools and other objects. Utilize a variety of items with the ample amount of external mounting options available — from a handheld GPS, phone, action camera to even a drink. The wedge lock mount base allows you to move your item into one of six wedge slots and swap them out without tools. The ball base kit allows you to add a ball to the corners for the use of the double socket arm mounting options shown below.



Accessories

| Part Number | Description |
|---------------|---|
| RAP-395U | STACK-N-STOW bait board with AMPs 4-hole pattern |
| RAP-395-RMU | STACK-N-STOW bait board with 3" long spline post and bulkhead rail adapter |
| RAP-395-BMPU | STACK-N-STOW bait board with 3" long spline post and bulkhead/flat surface base and plunger |
| RAP-395T-BBU | Topside base with 1" (B) ball |
| RAP-395T-BCU | Topside base with 1.5" (C) ball |
| RAP-395W-132U | Side wedge-lock Level Cup drink holder |
| RAP-395WU | Side wedge-lock |

Accessories

5 Spot Base with Post

Get the most out of the limited space available on your kayak with the RAM® 5 Spot Base. With five locations to use for anything from rod holders to your fishfinder, this simple product provides fantastic versatility. Hard mount directly to the vessel or use the spline post adapter to securely mount to your current rod holder mounting base. The 5 Spot Base features locations for hanging hooks, lures, pliers, clippers and many other angling essentials.



RAP-114-5PU

Accessories

| Part Number | Attachment Type |
|-------------|-------------------------------|
| RAP-114-5PU | Fits any RAM spline post base |

Mari-Rivet™ and Mari-Nut™

Sometimes you have the need for a blind hole mount, and RAM offers the Mari-Rivet for a permanent mount. Suited for material 1/16" to 1/4" thick, this is a great mounting option for fiberglass, plastic and metal mounting locations. The Mari-Nut allows for a non-permanent and light duty way to mount to blind holes.



RAM-MARI-RIVET-4



RAM-MARI-NUT-4

Accessories

| Part Number | Compatible Components | Grip Thickness | Hole Size Required |
|------------------|-------------------------|------------------|--------------------|
| RAM-MARI-RIVET-4 | Ball bases with 4 holes | 1/16" - 1/4" | 7/32" |
| RAM-MARI-NUT-4 | Ball bases with 4 holes | 3/100" - 23/100" | 3/8" |

Stand Up Paddleboard Mounts



- 1 RAM-114-RBNBU, RAM-ROD® 2000
RAP-366U, 1.5" Ball with Threaded Stud
- 2 RAM-HOL-TAB17, Tab-Tite™ Tablet Holder
RAP-B-166, Composite Twist-Lock™ Suction Cup mount

Stand Up Paddleboard Mounts

Whether you need to mount your action camera, drink, paddle or phone to your stand-up paddleboard, RAM® has you covered. Solutions like the Flex Adhesive Base, Tough-Pole™ and double and triple Twist-Lock™ Suction Cup will keep your devices secure on your SUP.



RAP-430-224

RAP-224-18-A-UN10

RAP-365-18-429

RAM-B-166-GOP1

Kits

| Part Number | Device | Mount Type |
|---------------------|------------------|--|
| RAM-B-166-GOP1 | Action cameras | Twist-Lock suction cup double ball |
| RAP-B-378-202U-GOP1 | Action cameras | Flex adhesive double ball mount |
| RAP-224-18-A-GOP1 | Action cameras | 18" Tough-Pole™ with suction cup |
| RAP-365-18-429 | Drink cup holder | 18" Tough-Pole with triple suction cup |
| RAM-B-166-UN10 | Large phones | Twist-Lock suction cup double ball |
| RAP-B-378-UN10U | Large phones | Flex adhesive double ball mount |
| RAP-224-18-A-UN10 | Large phones | 18" Tough-Pole with suction cup |

Kits

| Part Number | Device | Mount Type |
|------------------|---------------|--|
| RAP-365-18-430 | Paddle holder | 18" Tough-Pole with triple suction cup |
| RAP-430-224 | Paddle holder | Low profile double suction cup |
| RAM-B-166-UN7 | Small phones | Twist-Lock suction cup double ball mount |
| RAP-B-378-UN7 | Small phones | Flex adhesive double ball mount |
| RAP-224-18-A-UN7 | Small phones | 18" Tough-Pole with suction cup |
| RAM-B-166-UN8 | Small tablets | Twist-Lock suction cup double ball |
| RAP-B-378-UN8 | Small tablets | Flex adhesive double ball mount |

Stand Up Paddleboard Mounts

Leash Cup and Plug Adapters

With a simple twist of the base, quickly secure the RAM® Leash Plug Adapter to your board. Add an arm or fishing rod holder to complete your custom SUP mount.

Tough-Ball™

When a male threaded post is needed for your SUP, the Tough-Ball comes through. Attach a wide variety of arms and fishing rod holders to the 1" rubber ball.



RAP-B-405U



RAP-406U



RAP-B-379U-252050-KAY1

Ball Bases

| Part Number | Ball Size |
|-------------|-----------|
| RAP-B-405U | 1" (B) |
| RAP-405U | 1.5" (C) |

Leash Cup

| Part Number |
|-------------|
| RAP-406U |

Tough-Ball

| Part Number | Ball Size | Compatible SUP's |
|------------------------|-----------|--------------------|
| RAP-B-379U-252050-KAY1 | 1" (B) | Connect SUP system |
| RAP-379U-252050-KAY1 | 1.5" (C) | Connect SUP system |
| RAP-B-379U-M81208 | 1.5" (C) | Red Paddle Boards |

Stand Up Paddleboard Mounts

Adhesive

Accommodating all 1" socket arms, this double-sided adhesive PSA stick pad is an excellent mounting solution for SUPs. Includes a sealed alcohol prep pad.



RAP-B-378

Twist-Lock™ Suction Cup

Use the Twist-Lock Suction Cup to secure your action camera or phone to your SUP. This popular solution provides a strong hold on non-porous surfaces.



RAM-B-224-1



RAP-350-35B

Components

| Part Number | Ball Size | Description |
|-------------|-----------|--------------------|
| RAM-B-224-1 | 1" (B) | Suction cup base |
| RAP-350-35B | n/a | Flat adhesive disc |

Base

| Part Number | Ball Size | Diameter |
|-------------|-----------|----------|
| RAP-B-378 | 1" (B) | 2.5" |

Inflatable Watercraft Mounts

RAP-340NB, RAM-ROD® 2007
RAP-399U, Float Tube Adapter with Strap and 1" Ball



Inflatable Watercraft Mounts

Bond-A-Base™

For inflatable rafts, the RAM® Bond-A-Base is the ideal universal mounting solution. Using the included 3M VHB double back adhesive pad, the flexible Bond-A-Base can be applied to PVC and Hypalon watercraft.



| Part Number | Description |
|---------------------|--------------------------------------|
| RAP-398-BLKU | Black base |
| RAP-398-BLK-202U | Black base with 1.5" (C) ball |
| RAP-398-BLK-114BMPU | Black base with post/spline receiver |
| RAP-398-BLK-TRACK-A | Black base with Tough-Track™ |
| RAP-398-GRYU | Grey base |
| RAP-398-GRY-202U | Grey base with 1.5" (C) ball |
| RAP-398-GRY-114BMPU | Grey base with post/spline receiver |
| RAP-398-GRY-TRACK-A | Grey base with Tough-Track |

Strap Base

For inflatable personal fishing pontoons, this base is secured using straps and allows you to easily mount a fishing rod holder and more.

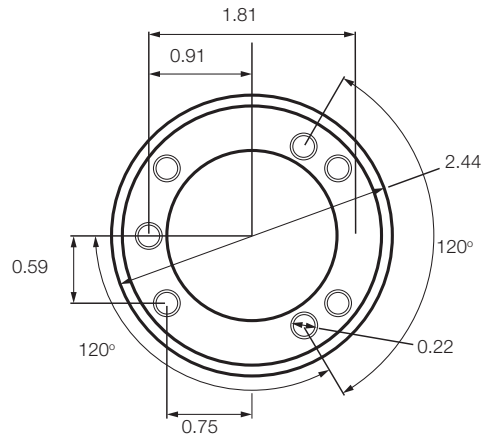


| Part Number | Ball Size | Compatible SUP's |
|-------------|-----------|--------------------|
| RAP-B-399U | 1" (B) | Connect SUP system |
| RAP-399U | 1.5" (C) | Connect SUP system |

Compatibility Chart

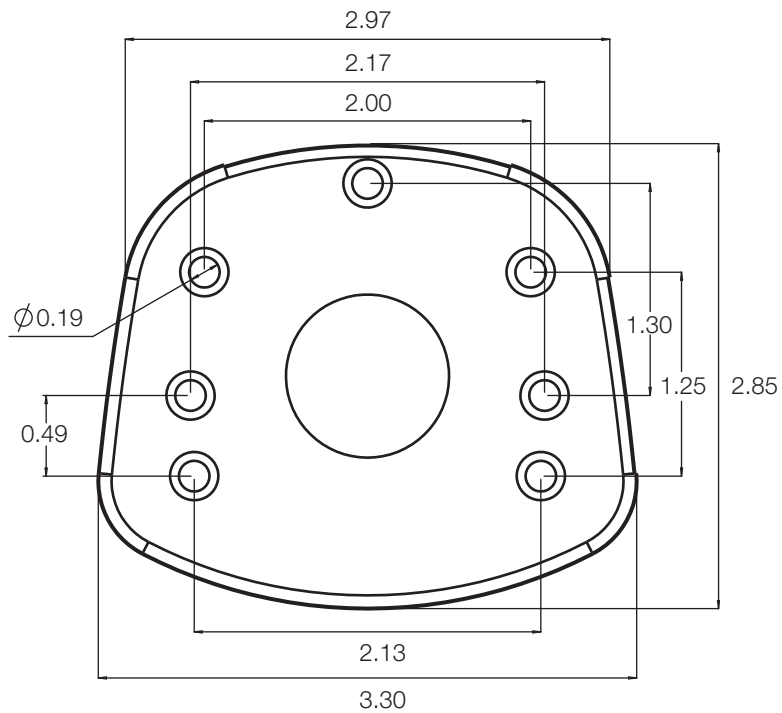
| Part Number | | Humminbird Helix 5 | Humminbird Helix 7 | Humminbird PiranhaMAX Series | Humminbird 500 Series | Humminbird 600 Series | Garmin Striker 4 | Garmin Striker 5 | Garmin Striker 7 | Garmin echoMAP Chirp 42-55 Series | Garmin echoMAP Chirp 72-95 Series | Garmin GPSMAP 527 | Garmin GPSMAP 547 | Lowrance HOOK-3x | Lowrance Elite-4 | Lowrance HOOK-4 | Lowrance Elite-5 Ti | Lowrance Elite-5 CHIRP Gold | Lowrance Elite-5 CHIRP | Lowrance HOOK-5 | Lowrance Elite-7 Ti | Lowrance Elite-7 CHIRP | Lowrance HOOK-7 | Lowrance HDS-7 Gen2 Touch | Lowrance HDS-7 Gen3 | Raymarine Dragonfly 4, 5 & Wi-Fish | Raymarine Dragonfly 7 PRO | Raymarine Dragonfly 6 & 7 | Marine Accessories | RAP-S-KNOB3 | RAP-S-KNOB5 | RAP-S-KNOB3-G | RAP-S-KNOB5-G | | | |
|-------------------|-------------------------|--------------------|--------------------|------------------------------|-----------------------|-----------------------|------------------|------------------|------------------|-----------------------------------|-----------------------------------|-------------------|-------------------|------------------|------------------|-----------------|---------------------|-----------------------------|------------------------|-----------------|---------------------|------------------------|-----------------|---------------------------|---------------------|------------------------------------|---------------------------|---------------------------|--------------------|-------------|-------------|---------------|---------------|---|--|--|
| Drill-Down Mounts | RAM-B-101-G4 | | | | | | X | | X | | X | X | | | | | | | | | | | | | | | | | | | X | | | | | |
| | RAM-B-111 | | | | | | | X | | | | | | | | | | | | | | | | | | | | | | | X | | X | | | |
| | RAM-111 | | | | | | | | X | X | | | | | | | | | | | | X | | X | X | | | | | | | X | | X | | |
| | RAM-B-107 | | | | X | X | | | | | | | | | X | X | X | X | X | X | | | | | | | | | | | X | | | | | |
| | RAM-B-107-1 | | | X | | | | | | | | | | | | | | | | | | | | | | | | | | | X | | | | | |
| | RAM-107 | | | | | | | | | | | | | | | | | | | | | X | X | X | | | | | | | | X | | | | |
| | RAM-B-101-LO11 | | | | | | | | | | | | | | X | X | X | X | X | X | | | | | | | | | | | X | | | | | |
| | RAM-101-LO11 | | | | | | | | | | | | | | | | | | | | | X | X | X | | | | | | | | X | | | | |
| | RAM-202-153-202 | X | | | | | | | | | | | | | | | | | | | | | | | | | | | | | | X | | X | | |
| | RAM-202-24-202 | | X | | | | | | | | | | | | | | | | | | | | | | | | | | | | | X | | X | | |
| | RAM-101-RYM1 | | | | | | | | | | | | | | | | | | | | | | | | | | | | X | | | X | | | | |
| | RAM-B-202-379-M616 | | | | | | | | | | | | | | | | | | | | | | | | | | X | X | | | | X | | | | |
| Track Mounts | RAM-202-24-354-TRA1 | | X | | | | | | | | | | | | | | | | | | | | | | | | | | | | X | | X | | | |
| | RAM-111B-354-TRA1 | | | | | | | | X | X | | | | | | | | | | | X | | X | X | | | | | | | X | | X | | | |
| | RAP-B-202-LO11-354-TRA1 | | | | | | | | | | | | | X | X | X | X | X | X | | | | | | | | | | | | X | | | | | |
| | RAP-B-107-1B-354-TRA1 | | | X | | | | | | | | | | | | | | | | | | | | | | | | | | | | X | | | | |
| | RAP-B-107B-354-TRA1 | | | | X | X | | | | | | | | | X | X | X | X | X | X | | | | | | | | | | | X | | | | | |
| | RAP-B-111B-354-TRA1 | | | | | | | X | | | | | | | | | | | | | | | | | | | | | | | | X | | X | | |
| | RAP-B-202-153-354-TRA1 | X | | | | | | | | | | | | | | | | | | | | | | | | | | | | | | X | | X | | |

Drawings Section



RAM-202

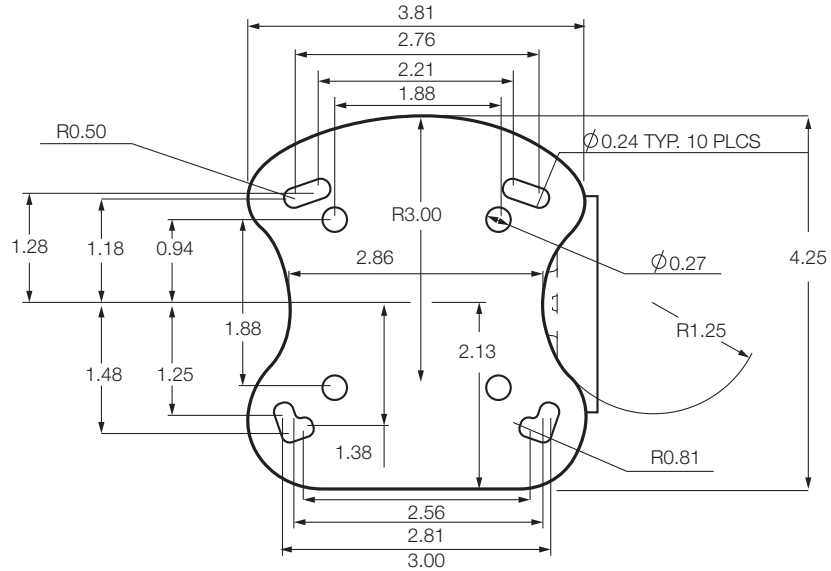
For: RAM-B-202, RAM-202, RAM-B-202-G2, RAM-202-G2U, RAM-B-202-G4U, RAM-202-G4, RAM-B-202-RYM1, RAM-202U-RYM1, RAM-B-101-G4, RAP-B-101U-G4, RAM-101-G4, RAM-101-RYM1 and RAM-B-101-RYM1



RAM-B-107-1B

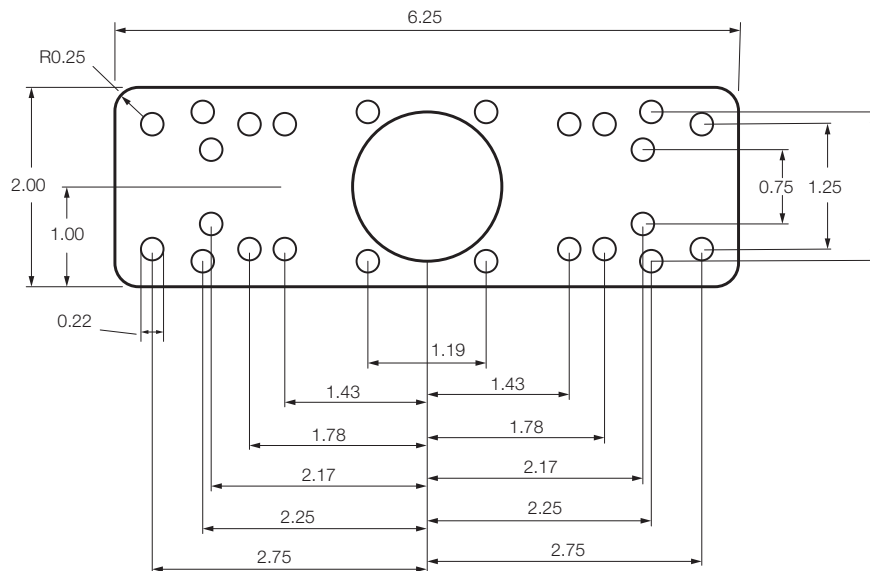
For: RAM-B-107-1B, RAM-B-107-1

Drawings Section



RAM-107B

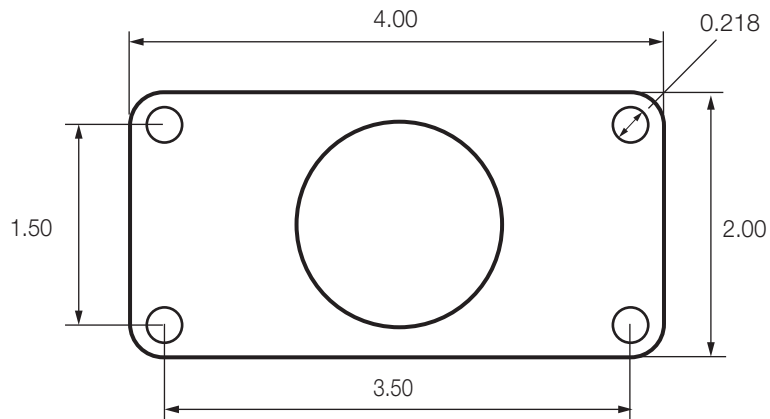
For: RAM-B-107B, RAM-107B, RAM-B-107, RAM-107



RAM-111B

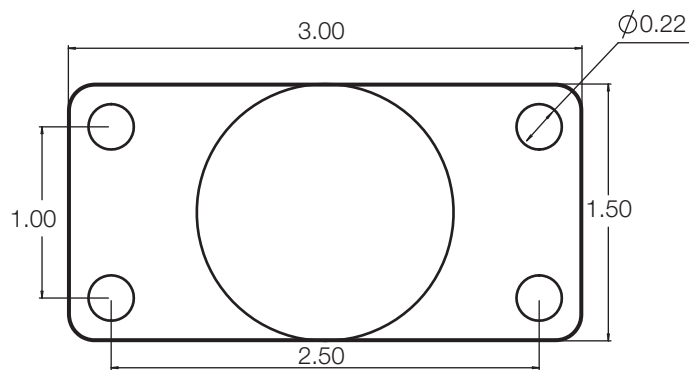
For: RAM-111B, RAM-111-B, RAM-111, RAM-111-D, RAM-109H, RAM-109V, RAM-109H-1, RAM-109V-1

Drawings Section



RAM-202U-24

For: RAM-B-202U-24, RAM-202U-24, RAM-202-24-B-202, RAM-202-24-202



RAM-202U-153

For: RAM-B-202-153, RAM-202U-153, RAM-202-153-B-202, RAM-202-153-202

New Products

Tough-Track™: Extruded Aluminum



RAM-TRACK-EXA-3

RAM-TRACK-EXA-5

RAM-TRACK-EXA-9

RAM-TRACK-EXA-13

RAM-TRACK-EXA-17

Tough-Track: Composite



RAP-TRACK-A5

RAP-TRACK-A9

RAP-TRACK-A12

RAP-TRACK-A16

Tough-Track: Extruded Composite



RAP-TRACK-DR-4

RAP-TRACK-DR-8

RAP-TRACK-DR-12

RAP-TRACK-DR-20

RAP-TRACK-DR-30

Hand-Track™



RAM-TRACK-H4

RAM-TRACK-H10

RAM-TRACK-H15

RAM-TRACK-H30

New Products

RAM-ROD® HD



RAP-433-NB

RAM-ROD® JR.



RAP-434-NB

Tough-Cleat™



RAP-432

Vertical Tie-Down



RAP-431

New Products

Tough-Clip™



RAP-430-400



RAP-430TD



RAP-430-224

Tough-Pole™ Track Mount



RAP-425-4-18-A-GOP1

New Products

Pipe Cap with Diamond Flange



RAP-436

Roller-Ball™ Paddle Clip Base



RAP-412

Drink Cup Holder for Tracks



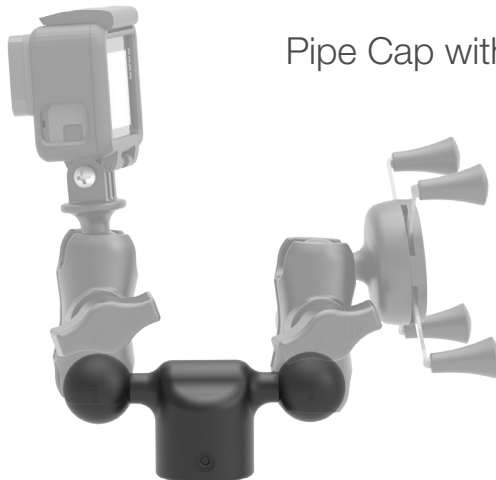
RAP-429T

Bond-A-Base™ with Tough-Track™



RAP-398-GRY-TRACK-A

Pipe Cap with Double Ball

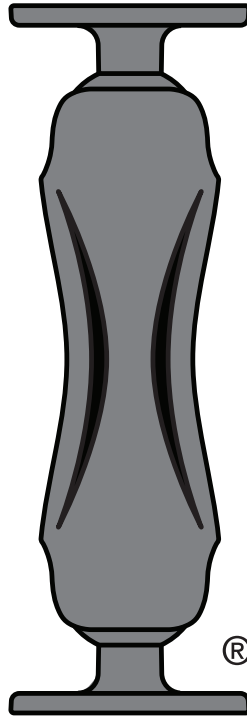


RAP-B-435



RAP-435

The Shape That Started it All



The RAM Hourglass Shape of the Double Socket Arms is a registered trademark of National Products Inc.

RAM® double socket arms with their distinctive Hourglass Shape are recognized globally as a symbol of the reliability, quality and durability of this line of products. The Hourglass Shape is a registered trademark of National Products Inc.

The unique RAM Mounts system offers a full line of interchangeable mounting bases, extensions, device adapters and accessories to secure your gear where you want it. See all of the innovative products and solutions RAM manufactures at rammount.com.



The distinctive RAM "X-Grip" product shape is a trademark of National Products Inc.



RAM® Mounts is a division of National Products Inc.
8410 Dallas Avenue South
Seattle, WA 98108
Phone: 800.497.7479
sales@rammount.com
rammount.com

Lifetime Warranty
Patents and Trademarks
rammount.com/ip

National Products Inc.
Would like to thank the following:

Humminbird™
Jackson Kayak
Lowrance®
OtterBox®



Contact Us

sales@rammount.com
1-800-497-7479

Join Our Community



NPI-CAT-PADDLESPTS17
JUNE 2017