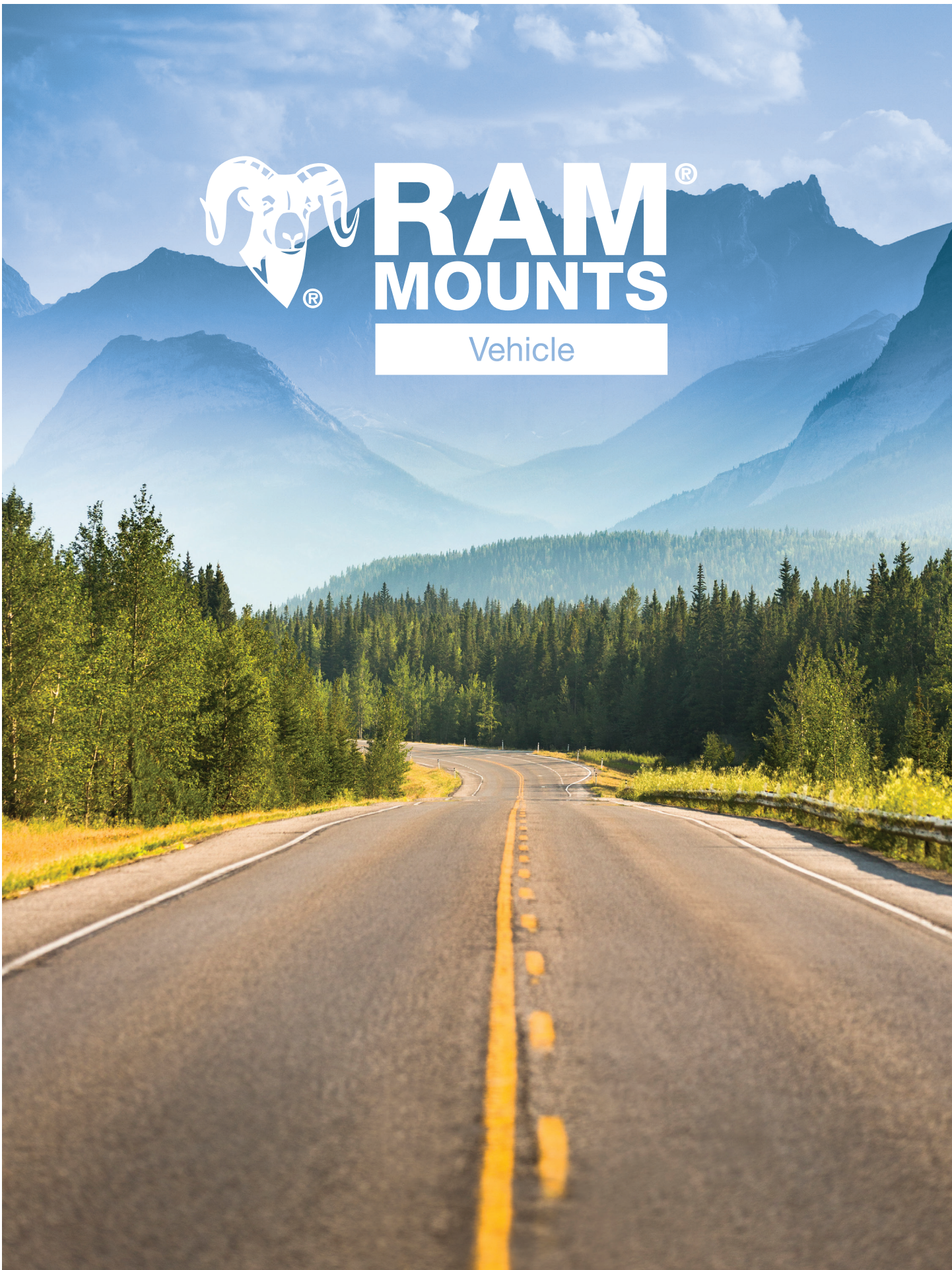




RAM[®] MOUNTS

Vehicle



About RAM® Mounts

RAM Mounts manufactures rugged and versatile mounting systems for cameras, tablets and other mobile devices that can be attached nearly anywhere. Unlike other mounts on the market, RAM allows you to mount items where you need them most. The unique design of the RAM Mounts system provides quick installation, adjustability, strength, vibration dampening and durability — all at a low cost. RAM uses powder-coated marine-grade aluminum with lightweight and high-strength composites, stainless steel hardware and rubber balls. RAM Mounts are made in the USA and backed by a lifetime warranty.

The RAM Difference



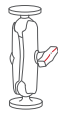
Made in the USA

Designed and manufactured in Seattle, Washington



Lifetime Warranty

RAM products are backed by a lifetime warranty against manufacturer's defects for decades of worry-free use



Modular Design

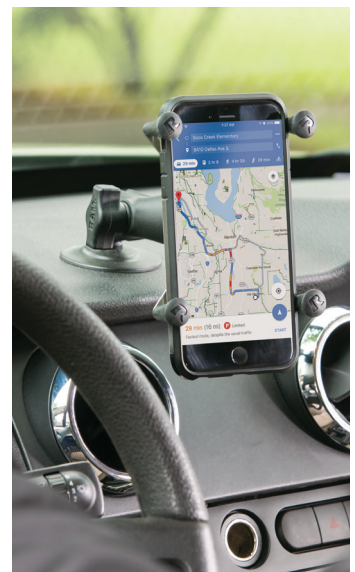
The rubber ball and socket design offers a secure hold with vibration dampening and component interchangeability



Designed & Developed In-House

Each RAM Mount is designed in-house using the most advanced industry techniques





Partner with RAM® Mounts

Here at RAM Mounts, we believe that unfathomable things are possible with ingenuity. With a portfolio of over 5,000 SKUs paired with innovative engineers and in-house product experts, we have the tools and expertise needed to create solutions that you didn't know were possible. We have the ability to solve your mounting challenges quickly, efficiently and cost effectively.

No matter your company's size, you can trust RAM Mounts to deliver ingenious solutions that do exactly what you need them to do.



Honeywell

SAMSUNG



Partner Highlight OtterBox® uniVERSE

Built for **OTTERBOX**
uniVERSE

iPad Mounts

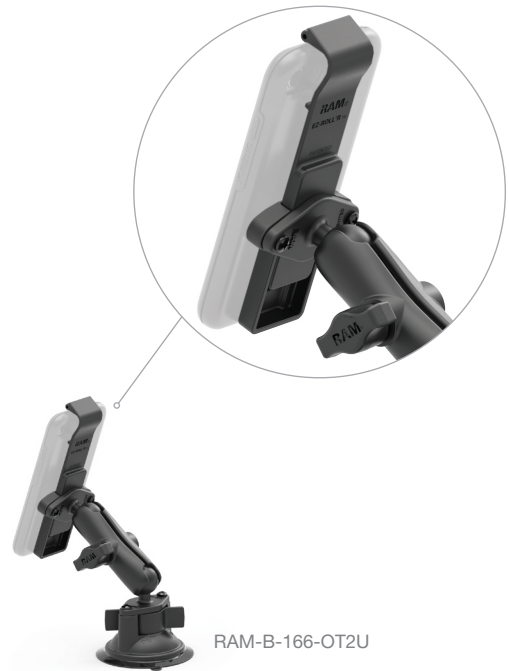
Securely mount your iPad Air 2 or iPad Pro 9.7 with its OtterBox uniVERSE case – no drilling or modification necessary. Trusted by consumers and enterprise users alike, this kit includes the popular and versatile Universal No-Drill™ RAM POD HD™ Vehicle Mount that's simple to install and remove.



RAM-316-HD-238-OT3U

iPhone Mounts

Mount your OtterBox uniVERSE-protected iPhone to your windshield for access to GPS directions and more while in your vehicle. This Suction Cup Mount features a Twist-Lock™ mechanism that provides a strong and secure attachment on glass or any non-porous surface.



RAM-B-166-OT2U



Seen in this photo:
RAM-B-166-OT2U, Twist-Lock Suction Cup Mount for OtterBox uniVERSE iPhone Cases



Table of Contents

- 7 How it Works
- 9 Device Holders
- 25 GDS®
- 35 Arms and Adapters
- 39 Twist-Lock™ Suction Cup
- 43 Cup Holder Mounts
- 45 Tough-Wedge™
- 47 Tough-Track™
- 49 Dash Mounts
- 53 Backseat Mounts
- 55 Floor Mounts
- 57 No-Drill™ Vehicle Mounts
- 63 Tough-Tray™
- 67 Tough-Dock™
- 69 Universal Laptop Vehicle Mounts
- 71 Vehicle Laptop Compatibility



How It Works

1

Choose a Holder

Select from a wide selection of cradles for your specific device.

2

Choose an Arm

Select an arm based on your desired length and placement.

3

Choose a Base

Select a variety of bases to help secure your device where you need it.



Modular Solutions for Every Use

Slip Resistant

The marine-grade aluminum and composite arm provides a strong hold that reduces slip on the rubber ball

Guaranteed

RAM Mounts offers a lifetime warranty on all mounting hardware

Made in the USA

Designed and manufactured in the USA using the highest quality materials

Vibration Dampening

The rubber ball absorbs the impact of the road, providing shock and vibration dampening

Adjustable

With nearly 360 degrees of articulation, each product can be adjusted to any angle with the turn of a single knob

How It Works

Ball Size Selection Guide

Each ball size in the RAM® Mounts rubber ball and socket system supports a different amount of weight and withstands increasingly intense vibration. Use the examples below to determine the ideal size for your system based on your device weight and application.



B Size

- 1" Diameter Ball
- For phones and small tablets



C Size

- 1.5" Diameter Ball
- For large tablets and laptops

Device Holders



Seen in this photo:
RAM-B-166-UN7, Twist-Lock™ Suction Cup Mount with Universal X-Grip®

X-Grip® for Phone and Tablet

The RAM® X-Grip keeps your device secure and accessible, whether suctioned to your windshield or drilled to your console. The unique design of the X-Grip means it can support almost any sized phone or tablet with or without a case or sleeve.



RAM-HOL-UN7B

- Fits phones up to 3.25" wide
- 1" Ball (B)

RAM-HOL-UN10B

- Fits phones up to 4.5" wide
- 1" Ball (B)

RAM-HOL-UN8B

- For 7"- 8" tablets
- 1" Ball (B)

RAM-HOL-UN7BCU

- Fits phones up to 3.25" wide
- 1.5" Ball (C)

RAM-HOL-UN10BCU

- Fits phones up to 4.5" wide
- 1.5" Ball (C)

RAM-HOL-UN8BCU

- For 7"- 8" tablets
- 1.5" Ball (C)



RAM-HOL-UN9U

- For 9"- 10" tablets
- Compatible with RAM-202 ball adapter

RAM-HOL-UN11U

- For 11"- 12" tablets
- Compatible with RAM-202 ball adapter

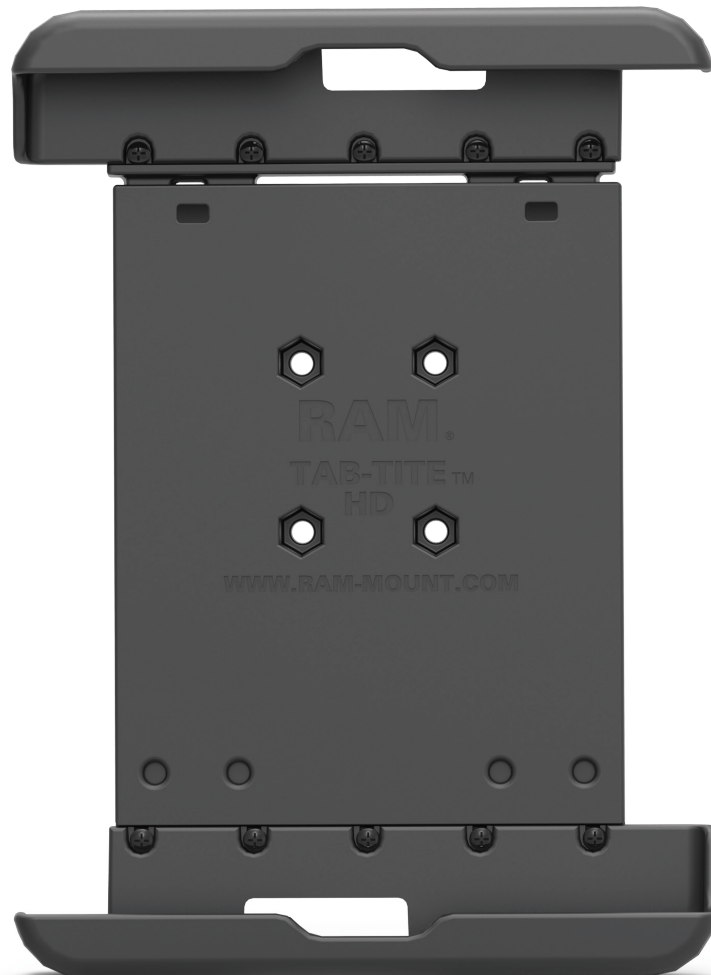
Tab-Tite™

Get the most out of your tablet with the RAM® Tab-Tite spring-loaded, quick release holder. With interchangeable end cups, you can fit the holder to your tablet for a near custom fit. The spring-loaded design makes it easy to insert and remove your tablet while keeping it secure.

Interchangeable
end cups



Spring-loaded cradle allows for
quick removal of your device



Tab-Tite™

Device Compatibility

Device	Part Number
Amazon Kindle Fire	RAM-HOL-TAB5U
Apple iPad 1-4 with Case	RAM-HOL-TAB17U
Apple iPad 4	RAM-HOL-TABD14U
Apple iPad Air	RAM-HOL-TAB6U
Apple iPad Air with Case	RAM-HOL-TAB20U
Apple iPad Air 2	RAM-HOL-TAB6U
Apple iPad Air 2 with Case	RAM-HOL-TAB20U
Apple iPad mini 1-3	RAM-HOL-TAB11U
Apple iPad mini 1-4 with Case	RAM-HOL-TAB12U
Apple iPad Pro 9.7	RAM-HOL-TAB6U
Apple iPad Pro 9.7 with Case	RAM-HOL-TAB20U
Google Nexus 7	RAM-HOL-TAB18U
Google Nexus 7 with Case	RAM-HOL-TAB16U
Google Nexus 9	RAM-HOL-TAB6U
HP TouchPad	RAM-HOL-TAB3U
Microsoft Surface Pro 4	RAM-HOL-TAB10U
Panasonic Toughpad FZ-A1	RAM-HOL-TAB9U
Panasonic Toughpad FZ-G1	RAM-HOL-TAB19U
Samsung Galaxy Tab 4 7.0	RAM-HOL-TAB22U
Samsung Galaxy Tab 4 7.0 with Case	RAM-HOL-TAB21U
Samsung Galaxy Tab 4 8.0	RAM-HOL-TAB24U
Samsung Galaxy Tab 4 8.0 with Case	RAM-HOL-TAB23U
Samsung Galaxy Tab 4 10.1	RAM-HOL-TAB26U
Samsung Galaxy Tab 4 10.1 with Case	RAM-HOL-TAB25U
Samsung Galaxy Tab A 8.0	RAM-HOL-TAB27U
Samsung Galaxy Tab A 8.0 with Case	RAM-HOL-TAB29U
Samsung Galaxy Tab A 9.7 with Case	RAM-HOL-TAB20U
Samsung Galaxy Tab A 10.1 with S Pen	RAM-HOL-TAB28U
Samsung Galaxy Tab E 8.0	RAM-HOL-TAB24U
Samsung Galaxy Tab E 8.0 with Case	RAM-HOL-TAB23U
Samsung Galaxy Tab E 9.6	RAM-HOL-TAB31U
Samsung Galaxy Tab S 8.4	RAM-HOL-TAB24U
Samsung Galaxy Tab S 8.4 with Case	RAM-HOL-TAB23U
Samsung Galaxy Tab S 10.5	RAM-HOL-TAB26U
Samsung Galaxy Tab S 10.5 with Case	RAM-HOL-TAB25U
Samsung Galaxy Tab S2 8.0	RAM-HOL-TAB30U
Samsung Galaxy Tab S2 8.0 with Case	RAM-HOL-TAB29U
Samsung Galaxy Tab S2 9.7 with Case	RAM-HOL-TAB20U
Samsung Galaxy Tab S3 9.7	RAM-HOL-TAB28U

Universal Compatibility

Device	Part Number
7" Tablets	RAM-HOL-TAB-SMU
	RAM-HOL-TAB5U
	RAM-HOL-TAB16U
	RAM-HOL-TAB18U RAM-HOL-TAB22U
7" Tablets with case	RAM-HOL-TAB21U
7" - 9" Tablets	RAM-HOL-TAB2U
7" - 9" Tablets with case	RAM-HOL-TAB4U RAM-HOL-TAB12U
8" Tablets	RAM-HOL-TAB24U
	RAM-HOL-TAB27U
	RAM-HOL-TAB30U
8" Tablets with case	RAM-HOL-TAB23U RAM-HOL-TAB29U
9" - 10" Tablets with case	RAM-HOL-TAB10U
10" Tablets	RAM-HOL-TAB-LGU
	RAM-HOL-TAB3U
	RAM-HOL-TAB6U
	RAM-HOL-TAB26U
	RAM-HOL-TAB28U
10" Tablets with case	RAM-HOL-TAB8U
	RAM-HOL-TAB9U
	RAM-HOL-TAB17U
	RAM-HOL-TAB19U
	RAM-HOL-TAB20U RAM-HOL-TAB25U

Compatible ball adapters



For the most up to date device listings, visit rammount.com/tablet for more tablet holder compatibility.

Tab-Lock™

The RAM® Tab-Lock includes a spring-loaded back plate, interchangeable end cups and keyed locking mechanism. End cups are designed to optimize the functionality of your tablet, allowing access to audio jacks, USB, power and other ports. Quickly lock the holder to keep your tablet safe from theft.



Tab-Lock™

Device Compatibility

Device	Part Number
Amazon Kindle Fire	RAM-HOL-TABL2U
Apple iPad 1-4	RAM-HOL-TABL3U
Apple iPad 1-4 with Case	RAM-HOL-TABL17U
Apple iPad 4	RAM-HOL-TABDL14U
Apple iPad Air	RAM-HOL-TABL6U
Apple iPad Air 2	RAM-HOL-TABL6U
Apple iPad mini 1-3	RAM-HOL-TABL11U
Apple iPad mini 1-4 with Case	RAM-HOL-TABL12U
Apple iPad Pro 9.7	RAM-HOL-TABL6U
Apple iPad Air with Case	RAM-HOL-TABL20U
Apple iPad Air 2 with Case	RAM-HOL-TABL20U
Apple iPad Pro 9.7 with Case	RAM-HOL-TABL20U
Google Nexus 7	RAM-HOL-TABL18U
Google Nexus 7 with Case	RAM-HOL-TABL16U
Google Nexus 9	RAM-HOL-TABL6U
HP TouchPad	RAM-HOL-TABL3U
Microsoft Surface Pro 4	RAM-HOL-TABL10U
Panasonic Toughpad FZ-A1	RAM-HOL-TABL9U
Panasonic Toughpad FZ-G1	RAM-HOL-TABL19U
Samsung Galaxy Tab 4 7.0	RAM-HOL-TABL22U
Samsung Galaxy Tab 4 7.0 with Case	RAM-HOL-TABL21U
Samsung Galaxy Tab 4 8.0	RAM-HOL-TABL24U
Samsung Galaxy Tab 4 8.0 with Case	RAM-HOL-TABL23U
Samsung Galaxy Tab 4 10.1	RAM-HOL-TABL26U
Samsung Galaxy Tab 4 10.1 with Case	RAM-HOL-TABL25U
Samsung Galaxy Tab A 8.0	RAM-HOL-TABL27U
Samsung Galaxy Tab A 8.0 with Case	RAM-HOL-TABL29U
Samsung Galaxy Tab A 9.7 with Case	RAM-HOL-TABL20U
Samsung Galaxy Tab A 10.1 with S Pen	RAM-HOL-TABL28U
Samsung Galaxy Tab E 8.0	RAM-HOL-TABL24U
Samsung Galaxy Tab E 8.0 with Case	RAM-HOL-TABL23U
Samsung Galaxy Tab E 9.6	RAM-HOL-TABL31U
Samsung Galaxy Tab S 8.4	RAM-HOL-TABL24U
Samsung Galaxy Tab S 8.4 with Case	RAM-HOL-TABL23U
Samsung Galaxy Tab S 10.5	RAM-HOL-TABL26U
Samsung Galaxy Tab S 10.5 with Case	RAM-HOL-TABL25U
Samsung Galaxy Tab S2 8.0	RAM-HOL-TABL30U
Samsung Galaxy Tab S2 8.0 with Case	RAM-HOL-TABL29U
Samsung Galaxy Tab S2 9.7 with Case	RAM-HOL-TABL20U
Samsung Galaxy Tab S3 9.7	RAM-HOL-TABL28U

Universal Compatibility

Device	Part Number
7" Tablets	RAM-HOL-TABL16U RAM-HOL-TABL18U RAM-HOL-TABL22U
7" Tablets with case	RAM-HOL-TABL21U
7" - 9" Tablets	RAM-HOL-TABL-SMU RAM-HOL-TABL2U
7" - 9" Tablets with case	RAM-HOL-TABL4U RAM-HOL-TABL12U
8" Tablets	RAM-HOL-TABL24U RAM-HOL-TABL27U RAM-HOL-TABL30U
8" Tablets with case	RAM-HOL-TABL23U RAM-HOL-TABL29U
9" - 10" Tablets with case	RAM-HOL-TABL10U
10" Tablets	RAM-HOL-TABL-LGU RAM-HOL-TABL3U RAM-HOL-TABL6U RAM-HOL-TABL26U RAM-HOL-TABL28U
10" Tablets with case	RAM-HOL-TABL8U RAM-HOL-TABL9U RAM-HOL-TABL17U RAM-HOL-TABL19U RAM-HOL-TABL20U RAM-HOL-TABL25U

Compatible ball adapters

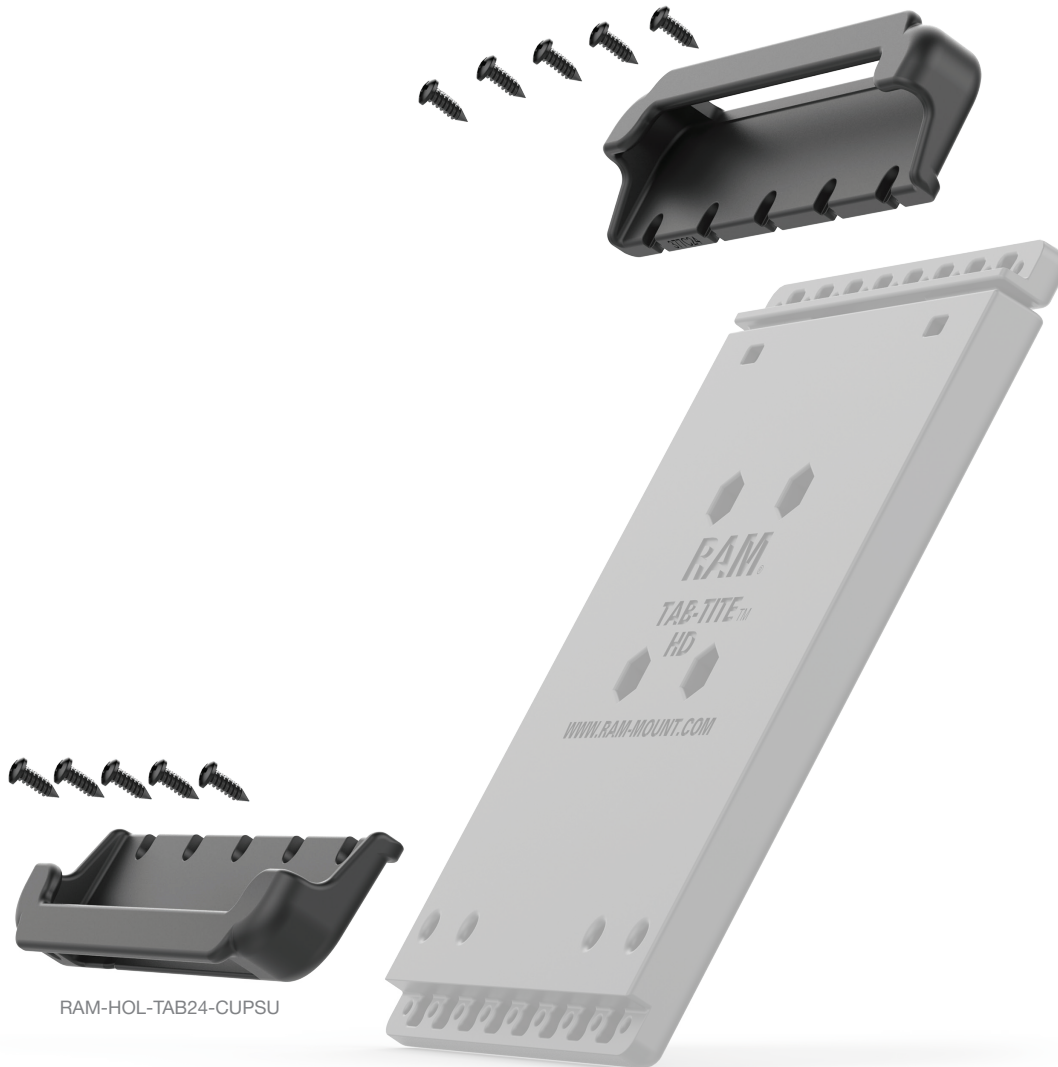


For the most up to date device listings, visit rammount.com/tablet for more tablet holder compatibility.

Tab-Tite™ and Tab-Lock™ Components

Tab-Tite and Tab-Lock End Cups

Interchangeable Tab-Tite and Tab-Lock end cups are compatible with the above universal backplates. Simply choose end cups that will fit your tablet and attach to the backplate to complete your setup.



Body of Tab-Tite and Tab-Lock

Part Number	Description
RAM-HOL-ACU	RAM® Universal Tab-Tite Backplate
RAM-HOL-TABLBU	RAM Universal Tab-Lock Backplate

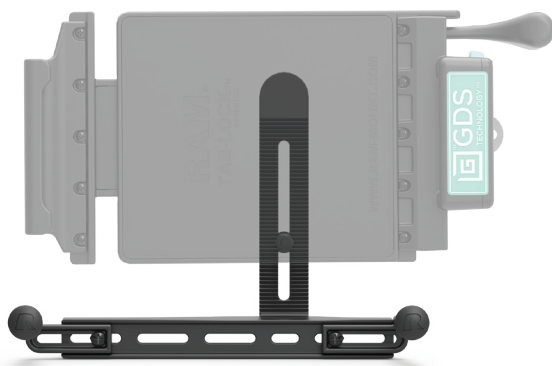
For all Tab-Tite/Tab-Lock end cups, visit rammount.com/endcups

Tab-Tite™ and Tab-Lock™ Accessories

Side Arm Attachment and Tether

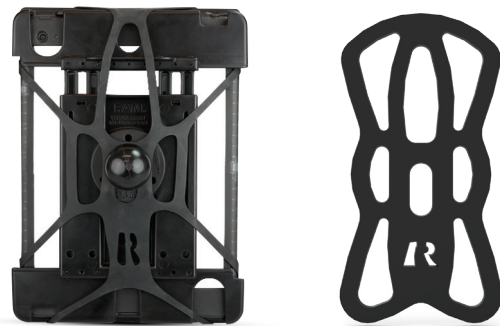
The RAM® Side Arm Attachment for the Tab-Lock allows for one-handed insertion and removal of your tablet, as well as supporting your tablet in landscape mode. The X-Grip® Tether can wrap around any Tab-Tite to provide extra stability when mounted in extreme environments.

Side Arm Attachment for Tab-Lock



RAM-HOL-TABLSAU

Tether for Tab-Tite



RAM-HOL-UN8TU



Seen in this photo:

RAM-GDS-SKIN-SAM21, IntelliSkin® for the Samsung Galaxy Tab E 8.0

RAM-GDS-DOCKL-V2-SAM21U, Locking GDS® Vehicle Dock for the Samsung Galaxy Tab E 8.0

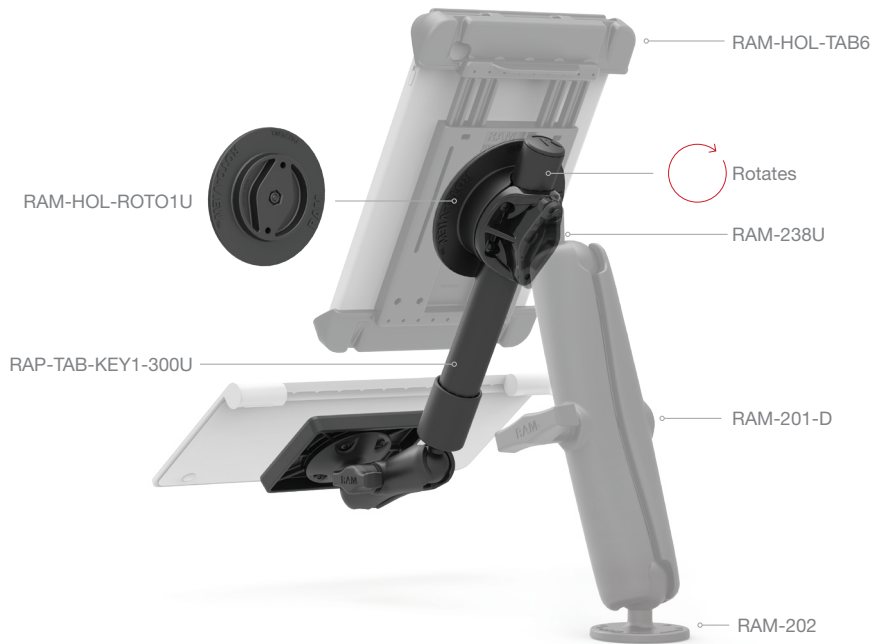
RAM-HOL-TABLSAU, Side Arm Attachment

RAM-316-HD-202U, Universal No-Drill™ RAM POD HD™ Vehicle Mount

Tablet Accessories

Keyboard Accessory for Tablets with Roto-View™

Mount any RAM® tablet holder with a Bluetooth keyboard, allowing you to efficiently enter data without having to solely rely on your tablet's touch screen. Simply attach the Roto-View between the cradle and mount to easily transition your tablet between portrait and landscape views, and attach your keyboard with the included arm and magnetic Power Plate™ III.



Bluetooth Keyboard

RAM offers an affordable full size Bluetooth keyboard that can be used with any iPad or tablet for efficient and comfortable data entry. Pair with the Roto-View and you have the ultimate solution for business or personal use.



RAM-KEY1-BT

Tablet Accessories

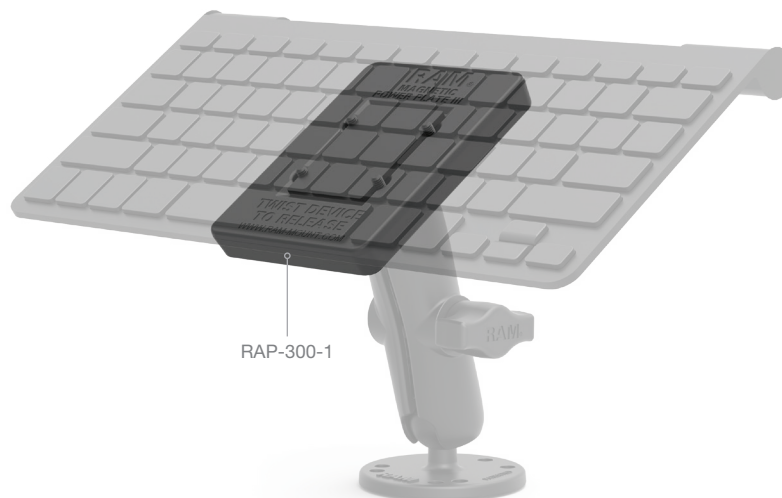
Slide-n-Lock™

Designed for ruggedized keyboards, the RAM® Slide-n-Lock features various hole patterns that allow you to quickly connect your keyboard to your RAM mounting system and lock it in place.



Power Plate™ III

For lightweight Bluetooth keyboards, the Power Plate III is the best solution. Attach the included metal plate to your keyboard and you can count on the plate's magnet to keep it in place.



Form-Fit Cradles

The RAM® Form-Fit cradle is a reliable holder for all of your on-the-go needs, providing smooth placement and removal of your device.

Part Number	Fits	Compatible Ball
RAM-HOL-AP11	Apple iPhone 5 and 5S	RAM-B-238 RAM-238U
RAM-HOL-AP14U*	Apple iPad mini 1, 2 and 3	RAM-B-202 RAM-202
RAM-HOL-AP15U*	Apple iPad Air 2, 3 and 4	RAM-B-202 RAM-202
RAM-HOL-AP16U	Apple iPhone 5C	RAM-B-238 RAM-238U
RAM-HOL-AP17U*	Apple iPad Air Apple iPad Air 2 Apple iPad Pro 9.7" Apple iPad 5 th Gen	RAM-B-202 RAM-202
RAM-HOL-AP18	Apple iPhone 6 Apple iPhone 7	RAM-B-238 RAM-238U
RAM-HOL-AP19	Apple iPhone 6 Plus Apple iPhone 7 Plus	RAM-B-238 RAM-238U
RAM-HOL-AP20U*	Apple iPad mini 4	RAM-B-202 RAM-202
RAM-HOL-AP21U*	Apple iPad Pro 12.9"	RAM-B-202 RAM-202
RAM-HOL-AP22U*	Apple iPad Pro 10.5"	RAM-B-202 RAM-202

*Form-Fit Cradle with patented EZ-Roll™ design

Part Number	Fits	Compatible Ball
RAM-HOL-AP8D3LU	Apple iPad 4	RAM-B-202 RAM-202
RAM-HOL-AP8D3U*	Apple iPad 4	RAM-B-202 RAM-202
RAM-HOL-SAM4U*	Samsung Galaxy Tab 7.0	RAM-B-202 RAM-202
RAM-HOL-SAM5U*	Samsung Galaxy Tab 10.1 Samsung Galaxy Tab 2 10.1	RAM-B-202 RAM-202
RAM-HOL-SAM6U*	Samsung Galaxy Tab 7.0 Plus	RAM-B-202 RAM-202
RAM-HOL-SAM7PCLU	Samsung Galaxy Tab Active 8.0 Samsung Galaxy Tab Active2	RAM-B-202 RAM-202
RAM-HOL-SAM7PKLU	Samsung Galaxy Tab Active 8.0 Samsung Galaxy Tab Active2	RAM-B-202 RAM-202
RAM-HOL-SAM7PU*	Samsung Galaxy Tab Active 8.0 Samsung Galaxy Tab Active2	RAM-B-202 RAM-202
RAM-HOL-SAM8U*	Samsung Galaxy Tab 4 7.0	RAM-B-202 RAM-202

*Form-Fit Cradle with patented EZ-Roll™ design



RAM-HOL-AP17U



RAM-HOL-SAM8U



RAM-HOL-AP18

Camera Ball Adapters

Capture the best photos and video possible with the help of RAM® camera ball adapters, allowing for the perfect angle and a secure hold. Constructed with the highest quality materials, the RAM ball design dampens shock and vibration so you always get the shot. Using the RAP-B-202-GOP1, mount any action camera that features the standard two-pronged attachment.

Part Number	Fits	Ball Size
RAP-B-202-GOP1	Action cameras with two-pronged attachment	1" (B)
RAM-202A	DSLR cameras and camcorders	1.5" (C)
RAP-B-379-252025	1/4"-20 threaded stud	1" (B)
RAM-B-202-GA63	Garmin VIRB®	1" (B)
RAM-B-202U-GA65	Garmin VIRB with Dive Case	1" (B)



GPS Cradles

When you're on the road less traveled, having the right gear with you is integral to a safe journey. RAM® GPS cradles offer durability, versatility and vibration dampening to help get you wherever you're going.

Part Number	Fits	Compatible Ball
RAM-HOL-GA31	Garmin Approach G5 & Oregon Series	RAM-B-238
RAM-HOL-GA34	Garmin nüvi 13xx Series & 24xx Series	RAM-B-238
RAM-HOL-GA40	Garmin GPSMAP 73, 78, 78S & 78SC	RAM-B-238
RAM-HOL-GA41	Garmin GPSMAP 62 & 64 Series	RAM-B-238
RAM-HOL-GA46U	Garmin Montana 600, 650 & 680	RAM-B-238
RAM-HOL-GA50	Garmin nüvi 50 & 50LM	RAM-B-238
RAM-HOL-GA55U	Garmin nüvi 52 - 58 Series	RAM-B-238
RAM-HOL-GA57U	Garmin nüvi 2557LMT & LT, 2597LMT & 2598LMTHD	RAM-B-238
RAM-HOL-GA66LU	Garmin fleet 660 & 670	RAM-B-238
RAM-HOL-GA70LU	Garmin dezl 770LMTHD	RAM-B-238
RAM-HOL-GA71LU	Garmin dezl 570LMT	RAM-B-238
RAM-HOL-GA72U	Garmin nüvi 2689LMT	RAM-B-238
RAM-HOL-GA73U	Garmin nüvi 2589LMT	RAM-B-238



RAM-HOL-GA31



RAM-HOL-GA71LU



RAM-HOL-GA67

Printer Cradles

RAM® printer cradles are the ideal solution for your mobile office, allowing you to mount a wide range of portable wireless printers in your vehicle.

Part Number	Fits	Clamping Width	Height	Compatible Ball
RAM-VPR-101	Brother PocketJet 6, Brother PocketJet 6 Plus, Brother PocketJet 3, Brother PocketJet 3 Plus, Brother PocketJet 673	N/A	N/A	RAM-B-202 RAM-202
RAM-VPR-102	Canon BJC-85, Canon i80, Canon i90, Canon IP100	8" - 14.5"	Max 1.75"	RAM-B-202 RAM-202
RAM-VPR-103	HP DeskJet 450, HP DeskJet 460, HP DeskJet 470, HP OfficeJet 100	9" - 15.5"	Max 2.5"	RAM-B-202 RAM-202
RAM-VPR-104	Fujitsu FP-1000	5.625" - 9.5"	Max 1.175"	RAM-B-202 RAM-202
RAM-VPR-105	Printronix M4L	6.625" - 10.5"	Max 2.5"	RAM-B-202 RAM-202
RAM-VPR-106	Brother Rugged RJ-4030, Brother Rugged RJ-4040	N/A	N/A	RAM-B-202 RAM-202
RAM-VPR-107	Citizen CMP-30/40, Zebra QL420, Brother RJ-3 Series, Honeywell PB 50/51	N/A	N/A	RAM-B-202 RAM-202



RAM-VPR-101

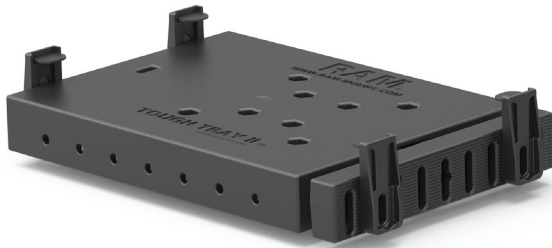


RAM-VPR-104

Universal Holders

These universal holders get the job done for a variety of devices. The Tough-Tray II™ is a spring-loaded tray for tablets and small laptops. Also featuring spring-loaded arms is the Quick-Grip™ for phones. Using the Finger-Grip™, secure handheld devices with adjustable rubber-coated fingers. Last but not least, the Power Plate™ III features magnets and a metal plate that connects to the bottom of your radar detector.

Part Number	Product Line	Common Devices	Width	Height	Depth	Compatible Ball
RAM-234-6	Tough-Tray II	Tablets & Small Laptops	8.56" - 11.12"	Max 2.75"	6"	RAM-B-202 RAM-202
RAM-HOL-PD3	Quick-Grip	Phones	2.25" - 3.25"	4.75" - 5.25"	Max .75"	RAM-B-238 RAM-238U
RAM-HOL-UN4	Finger-Grip	Handheld Radios & GPS	1.25" - 3.5"	Min 5.25"	Max 1.5"	RAM-B-238 RAM-238U
RAP-300-1	Power Plate III	Radar Detectors	N/A	N/A	N/A	RAM-B-202



RAM-234-6



RAM-HOL-UN4



RAM-HOL-PD3



Seen in this photo:
RAM-B-138-PD3, Flat Surface Mount with Quick-Grip Phone Holder

Rugged Handheld Holders

These spring-loaded Quick-Draw™ docking stations with external power can be attached to a variety of RAM® mounting systems, making it easy to mount and remove your handheld in one easy motion.

Part Number	Fits	Power Input	Ports
RAM-HOL-SYM3PU	Motorola MC5574, MC5590, MC55A0, MC65 & MC67	12-28V DC bare wire and cig plug	USB Type A, Musb, DB9 Serial
RAM-HOL-SYM3PECU	Motorola MC5574, MC5590, MC55A0, MC65 & MC67	12-28V DC cig plug and external power	USB Type A, Musb, DB9 Serial
RAM-HOL-SYM3U	Motorola MC5574, MC5590, MC55A0, MC65 & MC67	Non-power	N/A



GDS®



Seen in this photo:
RAM-GDS-SKIN-SAM14U, IntelliSkin® for the Samsung Galaxy S6
RAM-GDS-DOCK-V1U, Universal GDS Vehicle Phone Dock
RAM-B-238, Diamond Ball Adapter
RAM-B-407-201U-C, Tough-Wedge™

RAM® vehicle docks with GDS Technology™ offer a universal charging platform for any device wrapped in an IntelliSkin® sleeve. IntelliSkin offers drop protection and uses ruggedized external contacts to allow for repetitive docking, with no need to deal with charging cables.



RAM-GDS-DOCK-V2-AP8U

RAM-GDS-DOCKL-V2-SAM21U

RAM-GDS-DOCK-V1U



GDS® IntelliSkin® Solutions

Keep your device charged wherever the road takes you. These popular mounting components for devices from Apple, Samsung, HP and LG can make a complete in-vehicle mounting and charging solution – a drill-down dash mount that absorbs shock and vibration, a backing plate for increased support, a hardwire charger and locking/non-locking options.



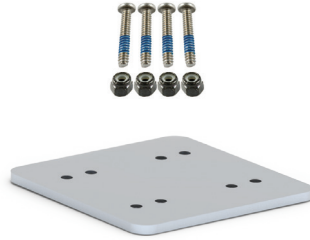
RAM-B-101U



RAM-101U



RAM-GDS-CHARGE-V5U



RAM-202-225BU



* Refer to pages 28-32 for IntelliSkin and compatible docks

Apple



RAM® offers several GDS® solutions for the Apple iPad. Start with a compatible IntelliSkin® and then choose a vehicle dock to keep your iPad secure and charged.

Device	IntelliSkin	*Vehicle Dock	Locking Vehicle Dock	HandStand™ Compatible	Shoulder Strap Compatible	Compatible Ball
Apple iPad mini 2 and 3	RAM-GDS-SKIN-AP2	RAM-GDS-DOCK-V2-AP2U	RAM-GDS-DOCKL-V2-AP2U			RAM-202
Apple iPad mini 4	RAM-GDS-SKIN-AP7	RAM-GDS-DOCK-V2-AP7U	RAM-GDS-DOCKL-V2-AP7U	•	•	RAM-202
Apple iPad Air 2	RAM-GDS-SKIN-AP8	RAM-GDS-DOCK-V2-AP8U	RAM-GDS-DOCKL-V2-AP8U	•	•	RAM-202
Apple iPad Pro 9.7	RAM-GDS-SKIN-AP12	RAM-GDS-DOCK-V2-AP8U	RAM-GDS-DOCKL-V2-AP8U	•	•	RAM-202
Apple iPad (5th Gen)	RAM-GDS-SKIN-AP15	RAM-GDS-DOCK-V2-AP8U	RAM-GDS-DOCKL-V2-AP8U	•	•	RAM-202
Apple iPad Pro (10.5")	RAM-GDS-SKIN-AP16	RAM-GDS-DOCK-V2-AP16U	RAM-GDS-DOCKL-V2-AP16U	•	•	RAM-202

* Non-locking vehicle dock is not recommended for any commercial vehicles. For these uses cases, please use the locking vehicle dock.



Seen in this photo:
 RAM-GDS-SKIN-AP15, IntelliSkin for the Apple iPad (5th Generation)
 RAM-GDS-DOCKL-V2-AP8U, Locking GDS Vehicle Dock for the Apple iPad (5th Generation)
 RAM-316-HD-202U, Universal No-Drill™ RAM POD HD™ Vehicle Mount

Samsung

If you depend on a Samsung phone or tablet, RAM® has you covered with GDS® solutions for a wide variety of Samsung devices. Choose a compatible IntelliSkin® and vehicle dock so your device stays secure and charged.



Seen in this photo:

RAM-GDS-SKIN-SAM16U, IntelliSkin for the Samsung Galaxy Tab A 8.0

RAM-GDS-DOCKL-V2-SAM16U, Locking GDS Vehicle Dock for the Samsung Galaxy Tab A 8.0

Samsung



RAM-GDS-SKIN-SAM28

RAM-GDS-SKIN-SAM21

Phone

Device	Intelliskin	Vehicle Dock	Compatible Ball
Galaxy S5	RAM-GDS-SKIN-SAM7U	RAM-GDS-DOCK-V1U	RAM-B-238
Galaxy S6	RAM-GDS-SKIN-SAM14U	RAM-GDS-DOCK-V1U	RAM-B-238
Galaxy S7	RAM-GDS-SKIN-SAM22	RAM-GDS-DOCK-V1U	RAM-B-238
Galaxy J3 (2016)	RAM-GDS-SKIN-SAM25	RAM-GDS-DOCK-V1U	RAM-B-238
Galaxy S8	RAM-GDS-SKIN-SAM28	RAM-GDS-DOCK-V1U	RAM-B-238
Galaxy S8+	RAM-GDS-SKIN-SAM30	RAM-GDS-DOCK-V1U	RAM-B-238
Galaxy J3 (2017)	RAM-GDS-SKIN-SAM31	RAM-GDS-DOCK-V1U	RAM-B-238
Galaxy J7 (2017)	RAM-GDS-SKIN-SAM32	RAM-GDS-DOCK-V1U	RAM-B-238

Tablet

Device	Intelliskin®	*Vehicle Dock	Locking Vehicle Dock	HandStand™ Compatible	Shoulder Strap Compatible	Compatible Ball
Galaxy Tab S 8.4	RAM-GDS-SKIN-SAM9U	RAM-GDS-DOCK-V2-SAM9U	RAM-GDS-DOCKL-V2-SAM9U	•	•	RAM-202
Galaxy Tab 4 7.0	RAM-GDS-SKIN-SAM11U	RAM-GDS-DOCK-V2-SAM11U	RAM-GDS-DOCKL-V2-SAM11U			RAM-202
Galaxy Tab 4 8.0	RAM-GDS-SKIN-SAM12U	RAM-GDS-DOCK-V2-SAM12U	RAM-GDS-DOCKL-V2-SAM12U	•	•	RAM-202
Galaxy Tab 4 10.1	RAM-GDS-SKIN-SAM13U	RAM-GDS-DOCK-V2-SAM13U	RAM-GDS-DOCKL-V2-SAM13U	•	•	RAM-202
Galaxy Tab A 9.7	RAM-GDS-SKIN-SAM15U	RAM-GDS-DOCK-V2-SAM15U	RAM-GDS-DOCKL-V2-SAM15U	•	•	RAM-202
Galaxy Tab A 8.0	RAM-GDS-SKIN-SAM16U	RAM-GDS-DOCK-V2-SAM16U	RAM-GDS-DOCKL-V2-SAM16U	•	•	RAM-202
Galaxy Tab Active 8.0	RAM-GDS-SKIN-SAM17U	RAM-GDS-DOCK-V2-SAM17U	RAM-GDS-DOCKL-V2-SAM17U			RAM-202
Galaxy Tab S2 8.0	RAM-GDS-SKIN-SAM18U	RAM-GDS-DOCK-V2-SAM18U	RAM-GDS-DOCKL-V2-SAM18U	•	•	RAM-202
Galaxy Tab S2 9.7	RAM-GDS-SKIN-SAM19U	RAM-GDS-DOCK-V2-SAM19U	RAM-GDS-DOCKL-V2-SAM19U	•	•	RAM-202
Galaxy Tab E 9.6	RAM-GDS-SKIN-SAM20U	RAM-GDS-DOCK-V2-SAM20U	RAM-GDS-DOCKL-V2-SAM20U	•	•	RAM-202
Galaxy Tab E 8.0	RAM-GDS-SKIN-SAM21	RAM-GDS-DOCK-V2-SAM21U	RAM-GDS-DOCKL-V2-SAM21U	•	•	RAM-202
Galaxy Tab A 10.1	RAM-GDS-SKIN-SAM23	RAM-GDS-DOCK-V2-SAM23U	RAM-GDS-DOCKL-V2-SAM23U	•	•	RAM-202
Galaxy Tab A 7.0	RAM-GDS-SKIN-SAM24	RAM-GDS-DOCK-V2-SAM24U	RAM-GDS-DOCKL-V2-SAM24U	•	•	RAM-202
Galaxy Tab A 10.1 with S Pen	RAM-GDS-SKIN-SAM26	RAM-GDS-DOCK-V2-SAM23U	RAM-GDS-DOCKL-V2-SAM23U	•	•	RAM-202
Galaxy Tab S3 9.7	RAM-GDS-SKIN-SAM27	RAM-GDS-DOCK-V2-SAM27U	RAM-GDS-DOCKL-V2-SAM27U	•	•	RAM-202
Galaxy Tab Active2	RAM-GDS-SKIN-SAM29	RAM-GDS-DOCK-V2-SAM29U	RAM-GDS-DOCKL-V2-SAM29U			RAM-202

* Non-locking vehicle dock is not recommended for any commercial vehicles. For these uses cases, please use the locking vehicle dock.

IntelliSkin® for the HP Elite x3 supports data transfer up to 480 mbps and can work with multiple USB Type-C™ charging profiles, while the IntelliSkin connector enables the use of HP's external hub. With the USB Type-C Universal Phone Dock with GDS Technology™, keep your HP Elite x3 docked and secured in your vehicle.

Device	Intelliskin	Vehicle Dock	Compatible Ball
HP Elite x3	RAM-GDS-SKIN-HP1	RAM-GDS-DOCK-V1CU	RAM-B-238



RAM-GDS-SKIN-HP1



RAM-GDS-DOCK-V1CU

Mason

With the IntelliSkin® for the Mason F07, vehicle docking is made easy. When you need to take your Mason tablet out of the vehicle, the versatile IntelliSkin is compatible with both the RAM® HandStand™ and Shoulder Strap.

Device	Intelliskin	*Vehicle Dock	Locking Vehicle Dock	Handstand Compatible	Compatible Ball
Mason F07	RAM-GDS-SKIN-MAS1	RAM-GDS-DOCK-V2-MAS1U	RAM-GDS-DOCKL-V2-MAS1U	•	RAM-202

* Non-locking vehicle dock is not recommended for any commercial vehicles. For these uses cases, please use the locking vehicle dock.



RAM-GDS-SKIN-MAS1

LG

The LG G Pad F 8.0 IntelliSkin allows for a seamless transition to vehicle docking, and is compatible with both the RAM HandStand and Shoulder Strap. Both vehicle docks feature an integrated holder for the LG stylus.

Device	Intelliskin	*Vehicle Dock	Locking Vehicle Dock	Handstand Compatible	Shoulder Strap Compatible	Compatible Ball
LG G Pad F 8.0	RAM-GDS-SKIN-LG2	RAM-GDS-DOCK-V2-LG2U	RAM-GDS-DOCKL-V2-LG2U	•	•	RAM-202

* Non-locking vehicle dock is not recommended for any commercial vehicles. For these uses cases, please use the locking vehicle dock.



RAM-GDS-SKIN-LG2

Shoulder Strap, HandStand™ and Risers

With the Shoulder Strap accessory, comfortably carry your IntelliSkin® wrapped tablet and easily swap devices using the strap's snap hooks.

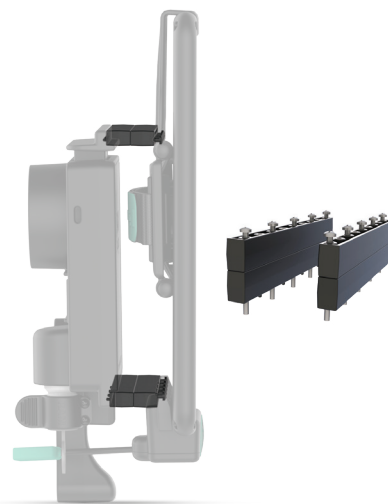


RAM-GDS-SS1U
Attaches to any IntelliSkin wrapped device with shoulder strap attachments

The HandStand features a hand strap that allows the device to be rotated 360-degrees so you can achieve the ideal viewing angle. Meanwhile, an integrated Kick Stand allows for propping up your device at your desk. Using Stand Off Risers, you can offset your vehicle docks and end cups by 1" – giving you room to mount the HandStand Tablet Hand Strap when docked.



RAM-GDS-HS1U
Compatible with any IntelliSkin which features the unique circular interface on the back



RAM-HOL-TAB-RISER2U
Attaches to GDS® Vehicle Docks. This product is required to fit any IntelliSkin with HandStand into a vehicle dock

Power Accessories

Choose from a variety of power options for your GDS® enabled devices and docks, including Step Down Converter Chargers, a 6-Port USB Charger and 2-Port USB Cigarette and Wall Chargers.

Part Number	Charger Type	Input Range	Output	Output Connector Type	Compatible Devices
RAM-GDS-CHARGE-USB2W	2 port wall charger	100-240V 50/60Hz	5V/2.4A Per Port 24W Max	2 Qty USB-A Female	Any 5V device with a current requirement of 2.4A or less
RAM-GDS-CHARGE-USB2HCIG	2 port cig charger	12-24VDC	5V/2.4A Per Port 24W Max	2 Qty USB-A Female	Any 5V device with a current requirement of 2.4A or less
RAM-GDS-CHARGE-USB2QCCIG	2 port cig charger with Quick Charge support	12-24VDC	Port 1: Quick Charge 3.0(18W) Port 2: 5V/2.4A (12W) 30W Max	2 Qty USB-A Female	Any 5V device with a current requirement of 2.4A or less
RAM-GDS-CHARGE-V5U	mUSB hardwire	8-40VDC	5V (USB 2.0) - 9V (QC) 2.5A Max	1.2 M cable with Micro-B USB Male	Any 5V device with a current requirement of 2.5A or less Includes support of Apple iOS 2.1/2.4A devices and support for Qualcomm Quick Charge 2.0/3.0 devices
RAM-GDS-CHARGE-V6U	USB Type-A hardwire	8-40VDC	5V (USB 2.0) - 9V (QC) 2.5A Max	1.2 M cable with USB-A Female	Any 5V device with a current requirement of 2.5A or less Includes support of Apple iOS 2.1/2.4A devices and support for Qualcomm Quick Charge 2.0/3.0 devices
RAM-GDS-CHARGE-USB6	6 port charger	100-240V 50/60Hz	5V/2.4A Per Port 60W Max	6 Qty USB-A Female	Any 5V device with a current requirement of 2.4A or less
RAM-GDS-CHARGE-V3CU	USB Type-C hardwire	12-24VDC	5V/3A; 9V/3A; 12V/3A 36W Max	1.2 M cable with USB-C Male	Any device supporting Power Delivery up to 36W
RAM-GDS-CHARGE-USBCW	USB Type-C wall charger	100-240V 50/60Hz	5V/3A; 9V/3A; 12V/3A; 15V/3A; 20V/2.25A 45W Max	USB-C Female	Any device supporting Power Delivery up to 45W
RAM-GDS-CHARGE-CIGC	USB Type-A and Type-C cig charger	12-24VDC	USB-A: 5V/2.4A; 9V/2A; 12V/1.5A USB-C: 5V/3A; 9V/2A; 12V/2.4A; 47W Max	USB-A Female USB-C Female	USB-A: Any 5V device with a current requirement of 2.4A or less. Includes support for Qualcomm Quick Charge 2.0 devices USB-C: Devices supporting Power Delivery up to 28W



RAM-GDS-CHARGE-USB2HCIG



RAM-GDS-CHARGE-V5U

Arms and Adapters



Seen in this photo:
RAM-B-201-201U, Medium Double Socket Arm, Dual Extension with 1" Ball Adapter
RAM-HOL-UN8B, Universal X-Grip® Cradle for 7"-8" Tablets
RAM-B-224-1, Suction Cup Base with 1" Ball

Arms

Arm Sizes

RAM® Mounts feature a double ball and socket system, providing modularity and adjustability. The RAM arm connects mounting bases to your device, and is available in multiple sizes and lengths.

B Size 1"

Part Number	Material	Overall Length	Socket To Socket
RAM-B-201-A	Marine-grade aluminum	2.38"	1.75"
RAM-B-201	Marine-grade aluminum	3.69"	3"
RAM-B-201-C	Marine-grade aluminum	6"	5.25"
RAP-B-201-A	High-strength composite	2.38"	1.75"
RAP-B-201	High-strength composite	3.69"	3"
RAP-B-200-12U	High-strength composite	4.2"	3.5"

C Size 1.5"

Part Number	Material	Overall Length	Socket To Socket
RAM-201-B	Marine-grade aluminum	3.5"	2.25"
RAM-201	Marine-grade aluminum	5.625"	4.5"
RAM-201-D	Marine-grade aluminum	9.125"	8"
RAP-201U-B	High-strength composite	3.5"	2.25"
RAP-201U	High-strength composite	5.625"	4.5"



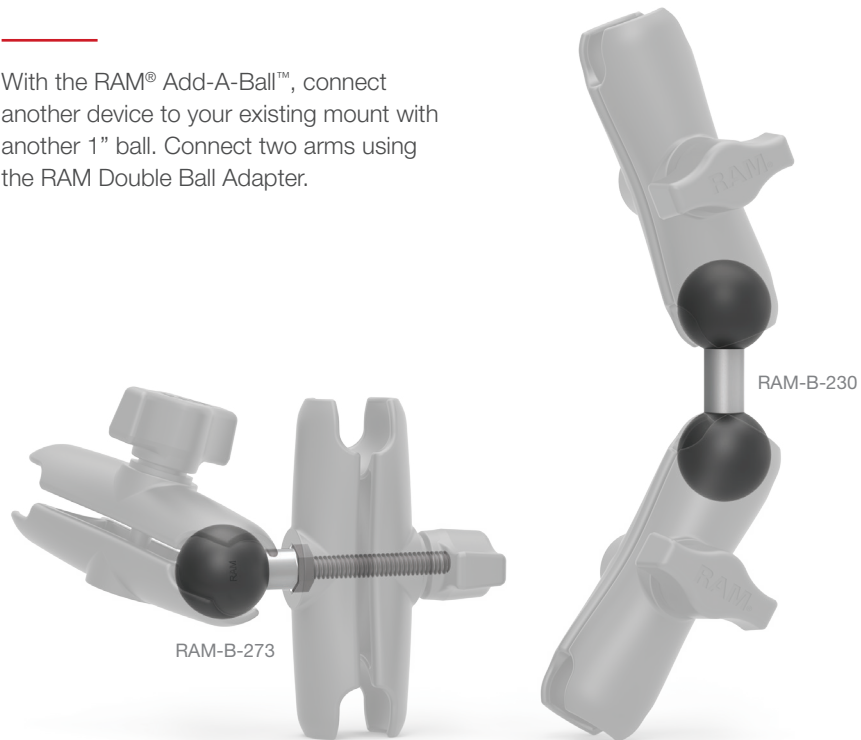
B Size
RAM-B-201



C Size
RAM-201

Adapters

With the RAM® Add-A-Ball™, connect another device to your existing mount with another 1" ball. Connect two arms using the RAM Double Ball Adapter.



Seen in this photo:
RAM-HOL-AP19, Form-Fit Cradle for the iPhone 6 & 7
RAM-B-238, Diamond Ball Adapter
RAM-B-201, Double Socket Arm
RAM-B-273, Add-A-Ball Accessory
RAM-HOL-AP17U, EZ-Roll'r™ Cradle for the Apple iPad Air 1-2 & iPad Pro 9.7
RAM-B-316-1-202U, Universal No-Drill™ RAM POD I Vehicle Mount

Pin-Lock™ Security Knobs

Using a female threaded security knob and key knob, the mixed combination Pin-Lock Security Knob can replace all knobs on B and C size arms and mounts to prevent theft and tampering of your electronics. When outfitting a fleet, the Pin-Lock can be keyed alike.

Part Number	Ball Size
RAP-S-KNOB3	1" (B)
RAP-S-KNOB5	1.5" (C)



Twist-Lock™ Suction Cup



Seen in this photo:

RAM-B-166-UN7, Twist-Lock Suction Cup Mount with Universal X-Grip® Phone Holder

Twist-Lock™ Suction Cup

The RAM® Twist-Lock Suction Cup has a strong hold on glass and non-porous surfaces. Pair it with your favorite action camera, or with the universal X-Grip® phone cradle for a safe and accessible solution for phones of all sizes.

Part Number	Fits	Suction Diameter
RAM-B-166-UN7	Phones up to 3.25" wide	3.3"
RAM-B-166-UN10	Phones up to 4.5" wide	3.3"
RAM-B-166-GOP1	Action Cameras	3.3"



RAM-B-224-1



RAM-B-166-GOP1



RAM-B-166-UN7

Low Profile Suction Cup

If you're looking for a smaller and lighter solution, the RAM® Low Profile Twist-Lock™ Suction Cup still provides a great hold on both glass and non-porous surfaces. Available with the X-Grip® phone holder.

Part Number	Fits	Suction Diameter
RAP-B-166-2-UN7	Phones up to 3.25" wide	2.75"
RAP-B-166-2-UN10	Phones up to 4.5" wide	2.75"



RAP-B-166-2-UN10



Seen in this photo:
RAP-B-166-2-UN7, Low Profile Twist-Lock Suction Cup Mount with Universal X-Grip Phone Holder

Suction Cup Accessories

The 3.5" Adhesive Dashboard Base for Suction Cups is an excellent solution for mounting a suction cup system to your dashboard or anywhere with a textured surface. Just stick the plate to any surface and then attach the suction cup. Use the Portable Friction Dashboard Base for Suction Cups to keep your device in plain view, and then easily stow the base when not in use.

Part Number	Description
RAP-279C	Portable Friction Dashboard Base for Suction Cups
RAP-350-35B	3.5" Adhesive Dashboard Base for Suction Cups



Seen in this photo:
RAP-279C, Portable Friction Dashboard Base
RAM-B-166-UN7, Twist-Lock™ Suction Cup Mount with Universal X-Grip® Phone Holder

Cup Holder Mounts



Seen in this photo:
RAP-B-299-4-UN7U, Stubby™ Cup Holder Mount with Universal X-Grip® Phone Holder

Cup Holder Mounts

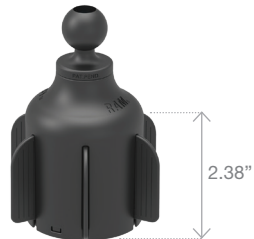
With a durable composite shell and flexible support fins, the Stubby and RAM-A-CAN II bases are portable and versatile mounting solutions for your vehicle's cup holders.



RAP-B-299-4-UN10U

Stubby™

Part Number	Fits	Cup Diameter Range
RAP-B-299-4-UN7U	Phones up to 3.25" wide	2.57" - 3.5"
RAP-B-299-4-UN10U	Phones up to 4.5" wide	2.57" - 3.5"
RAP-B-299-4-UN8U	7" - 8" Tablets	2.57" - 3.5"



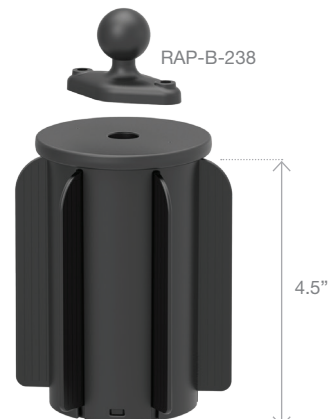
RAP-B-299-4U



RAP-299-3-UN8

RAM-A-CAN II™

Part Number	Fits	Cup Diameter Range
RAP-299-3-UN7B	Phones up to 3.25" wide	2.57" - 3.5"
RAP-299-3-UN10	Phones up to 4.5" wide	2.57" - 3.5"
RAP-299-3-UN8	7" - 8" Tablets	2.57" - 3.5"



RAP-299-3

Tough-Wedge™



Seen in this photo:
RAP-B-407-UN8U, Tough-Wedge Mount with Double Socket Arm and X-Grip® Small Tablet Holder

Tough-Wedge™

This low profile mounting solution is ideal for phones and small tablets, and can also be used with the X-Grip® and Tab-Tite™. The unique design of the Tough-Wedge allows for quick installation and removal without any modification to your vehicle – just slide between the seat cushions for a stable mounting platform. For added security and rough roads, the optional expansion pump is available to create an even firmer hold.

Part Number	Fits
RAP-B-407-UN7U	Phones up to 3.25" wide
RAP-B-407-UN10U	Phones up to 4.5" wide
RAP-B-407-UN8U	7" - 8" Tablets
RAM-B-407-C-202-PUMPU	Any X-Grip or Tab-Tite Tablet Holder



RAM-B-407-201-C-TAB3U



RAM-B-407U



RAM-B-407-C-202-PUMPU



Seen in this photo:
RAP-B-407-UN7U, Tough-Wedge Mount with Double Socket Arm and X-Grip Phone Holder

Tough-Track™



Seen in this photo:
 RAP-TRACK-A5,
 Top-Loading Composite Tough-Track
 RAP-HOL-UN7B-354-TRA1,
 X-Grip® Phone Mount with Track Ball™ Base
 RAP-B-354-TRA1,
 Track Ball with T-Bolt Attachment
 RAP-B-202-GOP1-354-TRA1,
 Track Ball Action Camera Mount



Track Ball™
 *Compatible with all
 Tough-Tracks
 RAP-B-354-TRA1



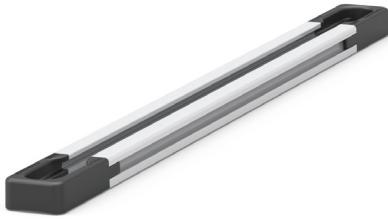
Track Ball
 *Compatible with all
 Tough-Tracks
 RAP-354-TRA1

Tough-Track™

Using a track mounting system is a clean, clever and innovative way to mount devices in your vehicle. With the RAM® Tough-Track, customize your system with a variety of track lengths and components for top-loading and end-loading functionality.

Modular Aluminum Tough-Track

Part Number	Overall Length	Inside Track Length
RAM-TRACK-EXA-3	6"	3"
RAM-TRACK-EXA-5	8"	5"
RAM-TRACK-EXA-9	12"	9"
RAM-TRACK-EXA-13	16"	13"
RAM-TRACK-EXA-17	20"	17"



RAM-TRACK-EXA-9

Recommended for:

- Larger phones
- Small tablets
- Ceiling/overhead mounting
- Commercial vehicles

End-Loading Composite Tough-Track

Part Number	Overall Length
RAP-TRACK-DR-3	3"
RAP-TRACK-DR-4	4"
RAP-TRACK-DR-6	6"
RAP-TRACK-DR-8	8"
RAP-TRACK-DR-12	12"
RAP-TRACK-DR-16	16"
RAP-TRACK-DR-20	20"
RAP-TRACK-DR-24	24"
RAP-TRACK-DR-30	30"
RAP-TRACK-DR-38	38"



RAP-TRACK-DR-8

Recommended for:

- Small action cameras
- Cell phones
- GPS devices
- Inside cab mounting

Top-Loading Composite Tough-Track

Part Number	Overall Length	Inside Track Length
RAP-TRACK-A2	3.75"	2.43"
RAP-TRACK-A3	4.75"	3"
RAP-TRACK-A5	7"	5"
RAP-TRACK-A9	10.75"	9"
RAP-TRACK-A12	14.5"	12"
RAP-TRACK-A16	18.5"	16"



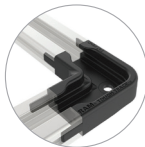
RAP-TRACK-A9

Recommended for:

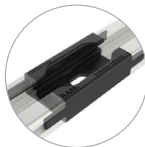
- Small tablets
- Open dashboards
- Off road vehicles
- Harsh environments

Modular Components

Part Number	Description
RAP-TRACK-EXA-CC90U	90-Degree Top-Loading Connector
RAP-TRACK-EXA-CCU	Center Top-Loading Connector



RAP-TRACK-EXA-CC90U



RAP-TRACK-EXA-CCU

Bond-A-Base™ with Tough-Track

Part Number	Color	Inside Track Length
RAP-398-BLK-TRACK-A	Black	5.25"
RAP-398-GRY-TRACK-A	Grey	5.25"



RAP-398-BLK-TRACK-A

Dash Mounts



Seen in this photo:
RAM-B-101-C, Drill-Down Long Double Socket Arm with 1" ball
RAM-HOL-AP17U, EZ-Roll'r™ Cradle for the iPad Air 1-2 & iPad Pro 9.7

Dash Mounts

RAM® offers a variety of drill-down options for your vehicle's dash – one of the most rugged mounting options available and an industry standard for mounting electronics. The Pin-Lock™ Security Knob and 3" x 3" Steel Backing Plate with AMPS hole pattern both provide added security for your device.

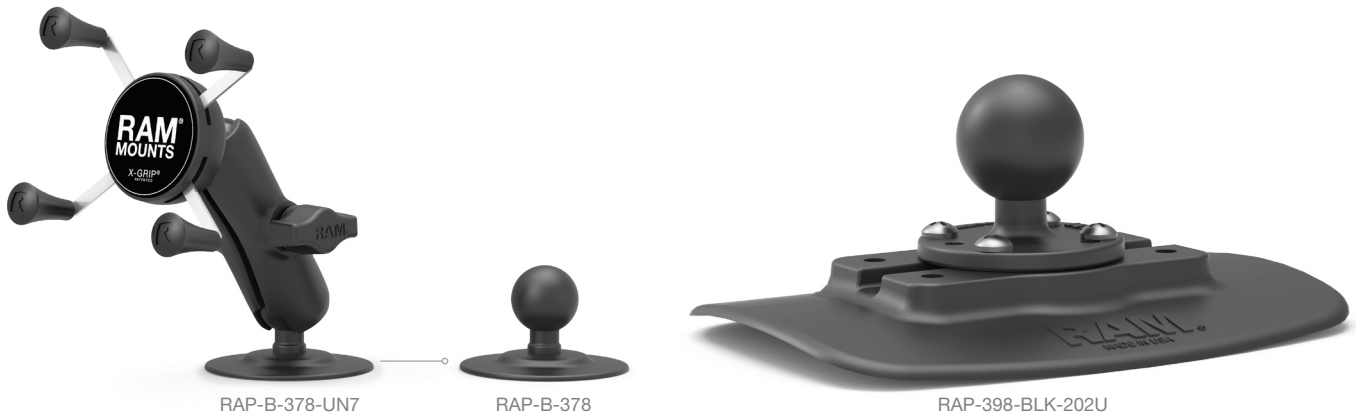
Part Number	Fits	Overall Height	Ball Size
RAM-B-138-UN7	Phones up to 3.25" wide	5.75"	1" (B)
RAM-B-138-UN10	Phones up to 4.5" wide	5.75"	1" (B)
RAM-B-101-A	Any device cradle with AMPS pattern	3.75"	1" (B)
RAM-B-101	Any device cradle with AMPS pattern	5"	1" (B)
RAM-B-101-C	Any device cradle with AMPS pattern	7.3125"	1" (B)
RAM-101U-B	Any device cradle with AMPS pattern	5.225"	1.5" (C)
RAM-101	Any device cradle with AMPS pattern	7.35"	1.5" (C)
RAM-101U-D	Any device cradle with AMPS pattern	10.85"	1.5" (C)
RAM-B-202	N/A	N/A	1" (B)
RAM-202	N/A	N/A	1.5" (C)



Flex Adhesive - Double Ball Mount

With the included 3M stick pad, easily place the Flex Adhesive Double Ball Mount or Bond-A-Base™ wherever you need your device. The Bond-A-Base is available with a 1.5" ball, while the Flex Adhesive Double Ball Mount includes a 1" ball, double socket arm and X-Grip® cradle for phones.

Part Number	Fits	Base Diameter
RAP-B-378-UN7	Phones up to 3.25" wide	2.5"
RAP-B-378-UN10U	Phones up to 4.5" wide	2.5"
RAP-398-BLK-202U	N/A	7" x 5.375"
RAP-398-GRY-202U	N/A	7" x 5.375"

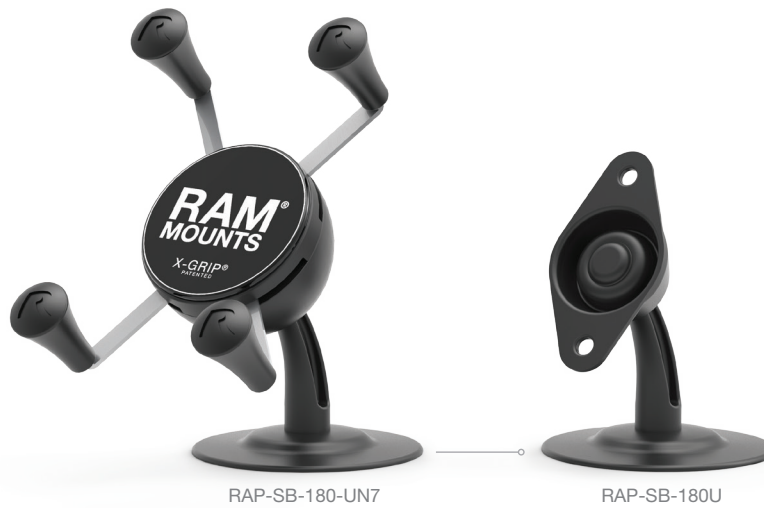


Seen in this photo:
RAP-B-378-UN10U, Flex Adhesive Mount with Universal X-Grip Phone Holder

Flex Adhesive - Lil' Buddy™ Mount

Using an adhesive disk, place the Lil' Buddy practically anywhere you want to keep your device so it's easy to see and always within your reach. Designed with a very small footprint, finding a home on your dash or console won't be a problem.

Part Number	Fits	Base Diameter
RAP-SB-180-UN7	Phones up to 3.25" wide	2.5"
RAP-SB-180-UN10	Phones up to 4.5" wide	2.5"
RAP-SB-180U	Any RAM® Holder	2.5"



Seen in this photo:
RAM-GDS-SKIN-SAM14U, IntelliSkin® for the Samsung Galaxy S6
RAM-GDS-DOCK-V1U, Universal GDS® Vehicle Phone Dock
RAP-SB-180U, Lil' Buddy Adhesive Stick Base Dash Mount

Backseat Mounts



Seen in this photo:
RAM-B-408-37-62, Torque™ Mini Rail Base
RAM-B-201-A, Short Double Socket Arm
RAM-HOL-UN8B, Universal X-Grip® Cradle for 7"-8" Tablets

Torque™ Headrest Mount

The RAM® Torque mount includes a 1" ball and is the ideal solution to mount tablets to vehicle headrests. Sizing inserts provide a snug fit, while nylon-insert locknuts prevent loosening.



RAM-B-408-37-62

Tough-Wedge™

Drop the Tough-Wedge in facing the backseat passenger and use the expansion pump to give it a firm and strong hold. This easily removable solution is perfect for storing when not in use and moving between vehicles.



RAM-B-407-PUMPU



Seen in this photo:
RAM-B-407-C-202-PUMPU, Tough-Wedge Mount with Pump
RAM-HOL-TAB28U, Tab-Tite™ Cradle for 9.7" Tablets

Floor Mounts



Seen in this photo:
RAM-316-HD-202U, Universal No-Drill™ RAM POD HD™ Vehicle Mount
RAM-HOL-TAB3, Tab-Tite™ Cradle for 10" Tablets

RAM® POD I

With the RAM POD I, there's no need to drill. This vehicle mount includes an 18" rigid aluminum rod and a single ball and socket joint to hold your phone or tablet. The base connects to the passenger seat bolt and the aluminum rod can be positioned against the center console to keep your device secure.

Part Number	Fits
RAM-B-316-1-UN10U	Phones up to 3.25" wide
RAM-B-316-1-UN8B	7"-8" Tablets
RAM-B-316-1-202U	Any 7"-8" Tablet Holder

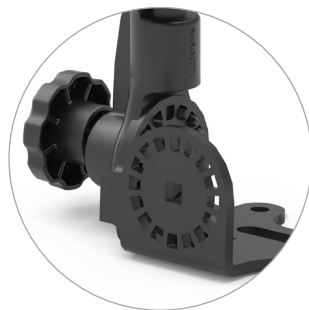


RAM-B-316-1-UN10U

RAM POD HD™

A heavier duty version of the RAM POD I, the RAM POD HD is a great mounting solution for tablets and small laptops. Requiring minimal space in the vehicle cab, it can be removed quickly without the use of tools. Its versatility makes it perfect for consumer vehicles of all types.

Part Number	Height Range	Fits
RAM-316-HD-202U	18.75" - 25.75"	Any Device Cradle
RAM-316-HD-18-202U	24.75" - 31.75"	Any Device Cradle



RAM-316-HD-202U

No-Drill™ Vehicle Mounts



Seen in this photo:
RAM-VB-193-SW1, No-Drill Laptop Mount
RAM-234K1-4U, Universal Laptop Tough-Tray™ Flat Clamping Arm Kit

How It Works

- 1 Choose a Base**
Select a base that meets your installation and removal needs and fits your vehicle.
- 2 Choose a Tele-Pole™ and Swing Arm**
Select a Tele-Pole and swing arm that provides the correct amount of height and adjustability.
- 3 Choose a Tray/Holder**
Select a tray/holder based on your device.



* For complete kits, refer to Vehicle Laptop Compatibility on pages 71-76

No-Drill™ Vehicle Bases

Get started by choosing a compatible RAM® No-Drill vehicle base. Designed for your specific vehicle, whatever base that suits your needs attaches easily using existing seat bolts on the passenger side. RAM vehicle bases are constructed from high quality steel and are available for a wide variety of vehicle makes, models and years.

Part Number	Vehicles
RAM-VB-159	Chevrolet Silverado, Suburban and Tahoe
RAM-VB-168	Freightliner, International, Kenworth, Mack, Peterbilt and Volvo Trucks
RAM-VB-195	Ford F-150 - F-550, Transit Connect



RAM-VB-159



RAM-VB-168



RAM-VB-195

For the most up to date vehicle base compatibility, visit rammount.com/vb-bases

Risers

Customize the height and placement of your vehicle mount with several different riser options. Standard risers come in 4" and 7" heights. The Adjust-A-Pole allows for maximum adjustability while the Remove-A-Pole allows any vehicle laptop system to be quickly removed.

Part Number	Height
RAM-VB-SB4	4"
RAM-VB-SB7	7"

Standard Risers



RAM-VB-SB4

Adjust-a-Pole™



RAM-VB-ADJ1

Remove-a-Pole™



RAM-VB-REM1



Tele-Pole™

The Tele-Pole is attached to your vehicle specific base and places your device at the optimal height. Featuring sturdy powder-coated steel and anti-vibration protection, the Tele-Pole is offered in a variety of lengths.

Lower Pole

Part Number	Pole Length	Hole Pattern
RAM-VP-TBF5U	5"	2.6" x 2.6"
RAM-VP-TBF7U	7"	2.6" x 2.6"
RAM-VP-TBF9U	9"	2.6" x 2.6"
RAM-VP-TBF12U	12"	2.6" x 2.6"
RAM-VP-TBF18U	18"	2.6" x 2.6"

Upper Pole

Part Number	Pole Length	Overall Length
RAM-VP-TTM4U	4"	8"
RAM-VP-TTM8U	8"	12"
RAM-VP-TTM12U	12"	16"

Upper Pole (Flanged)

Part Number	Pole Length	Overall Length
RAM-VP-TTMF4U	4"	8"
RAM-VP-TTMF8U	8"	12"
RAM-VP-TTMF12U	12"	16"
RAM-VP-TTMFD8U	8"	12"



RAM-VP-TBF9U
Lower Pole

RAM-VP-TTM12U
Upper Pole

RAM-VP-TTMF12U
Upper Pole (Flanged)

Swing Arms

The RAM® dual articulating swing arm mount offers the most versatile adjustment of any vehicle mount system available. Pivot points at the swing arm base, center arm and end of the swing arm allow for vertical and horizontal adjustment of the mount, as well as angle adjustments. Also available as a single swing arm.

Swing Arms (Single)

Part Number	Length
RAM-VB-110-5U	6"



RAM-VB-110-5U

Swing Arms (Double)

Part Number	Length
RAM-VB-110-1U	12"



RAM-VB-110-1U



Seen in this photo:
RAM-VB-186, No-Drill™ Laptop Base for the Jeep Grand Cherokee
RAM-VP-SW1-89, Double Swing Arm with 8" Male Tele-Pole™, 9" Female Tele-Pole
RAM-HOL-TAB20U, Tab-Tite™ Cradle for the Apple iPad Air 2

Tough-Tray™



Seen in this photo:
RAM-VB-193-SW1, No-Drill™ Laptop Mount
RAM-234K1-4U, Universal Laptop Tough-Tray Flat Clamping Arm Kit

Tough-Tray™

The RAM® Tough-Tray is a spring-loaded expandable tray that can accommodate 10" to 16" laptops. Four-sided clamping arms with rubber grips can be moved both vertically and horizontally, allowing for a custom fit for varying sizes of laptops and the freedom of not blocking ports or drives. The RAM-234-3FL features flat retaining arms, allowing you to close your laptop.

Part Number	Tray Width Range	Side Clamp Arm Height	Tray Depth
RAM-234-3	10" - 16"	.5" - 1.75"	10"
RAM-234-3FL	10" - 16"	.5" - 1.75"	10"



RAM-234-3

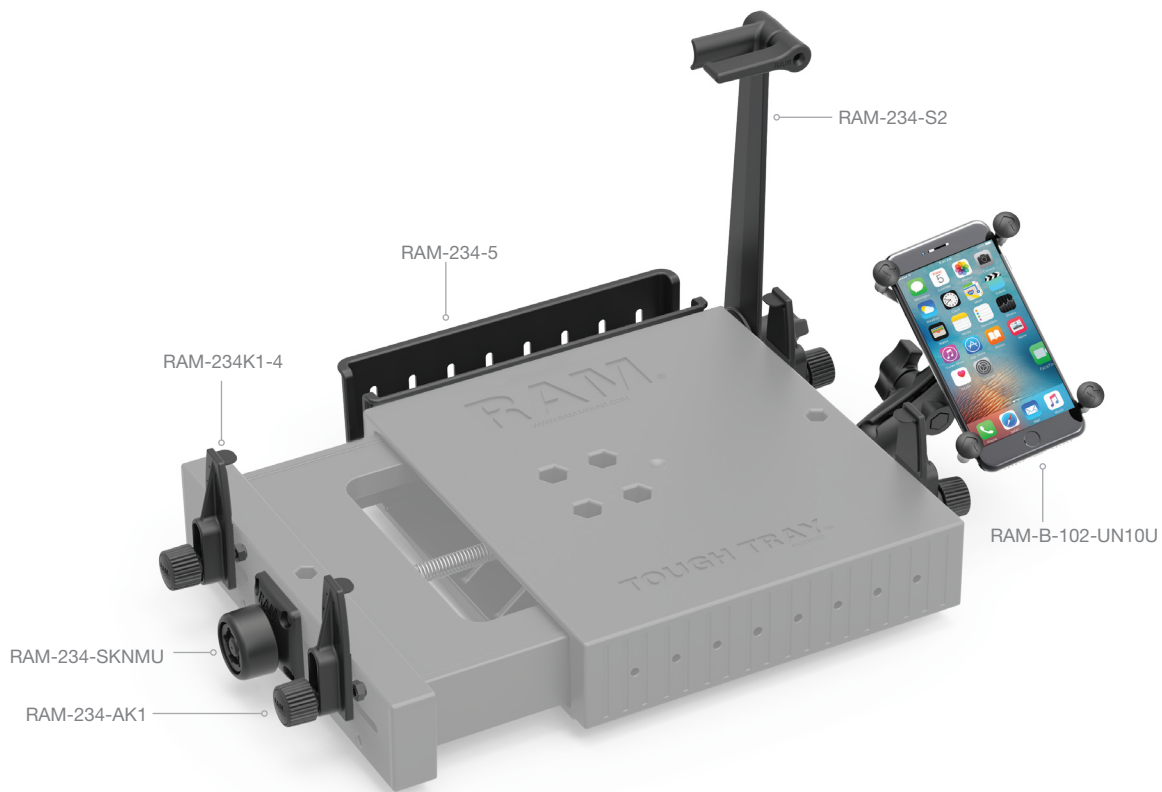


RAM-234-3FL

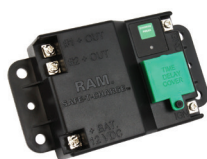
Tough-Tray™ Accessories

Take your Tough-Tray to the next level with a variety of accessories, ranging from power adapters and X-Grip® phone cradles to screen support arms and USB lights.

Part Number	Description
RAM-234-S2	Screen Support Arm
RAM-234-SKNMU	Secure-N-Motion™ kit with Pin-Lock™ knob
RAM-234-5	Power Supply Caddy
RAM-234K1-4	Tough-Tray Flat Clamping Arm Kit
RAM-234-AK1	Tough-Tray Adjustable Knob Kit
RAM-B-102-UN7	Side Tray X-Grip Mount for Phones
RAM-B-102-UN10U	Side Tray X-Grip Mount for Large Phones
RAM-B-102-MP1	Side Tray Multi-Pad™ Mount



RAM-234-HUB1U
RAM USB Tough-Hub™



RAM-234-VCP1
RAM Safe-T-Charge™
Battery Protection System

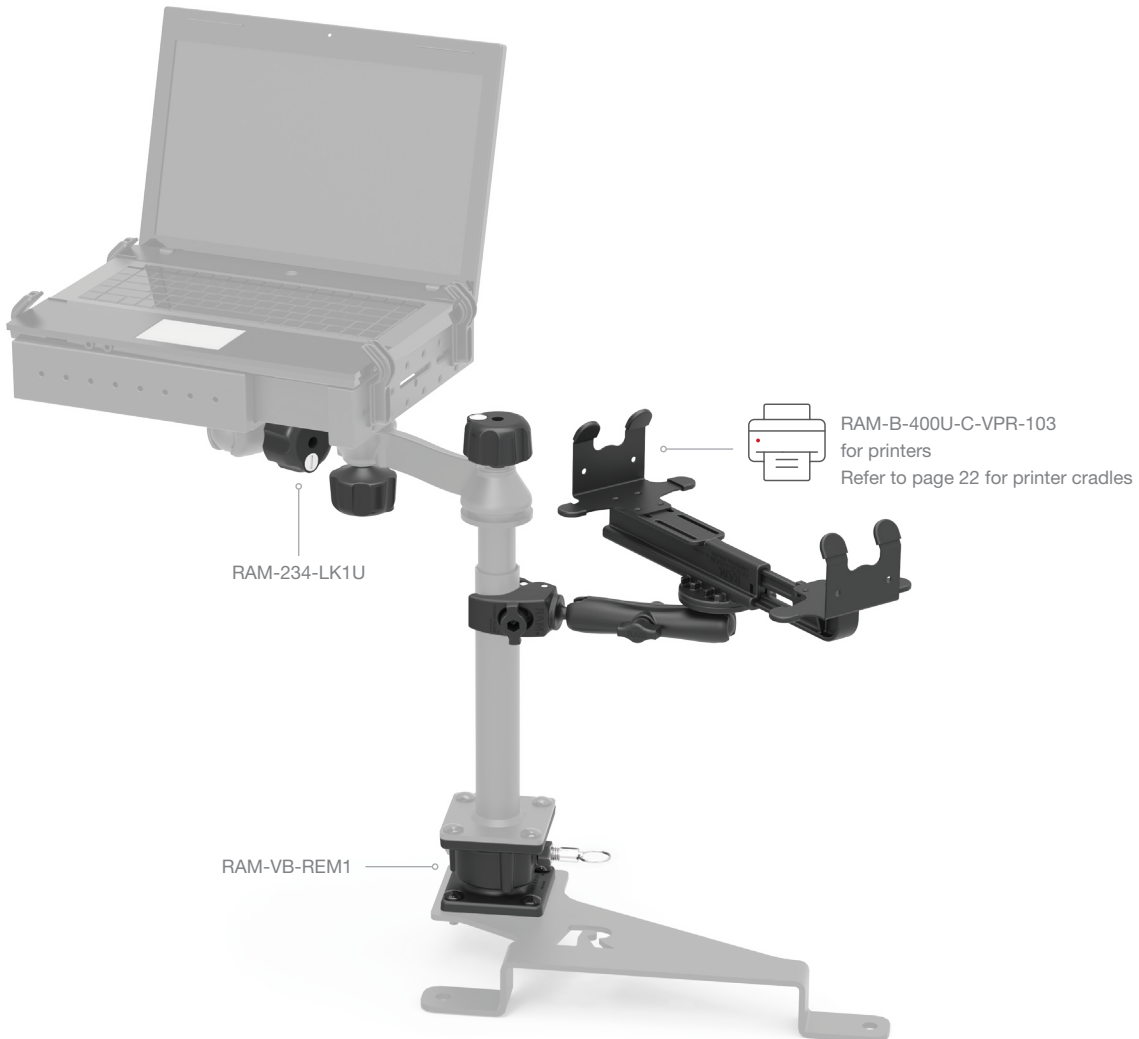


RAM-234-PB1
RAM 12-28V Power Adapter

Vehicle Mount Accessories

Complete your mobile office with accessories that meet all your specific needs, including printer mounts for several brands, stabilizers and the Remove-A-Pole™ riser.

Part Number	Description
RAM-VB-REM1	Remove-A-Pole Riser Accessory
RAM-234-LK1U	Swing Arm & Tele-Pole™ Locking Knob Kit
RAM-VB-SL24	24" Stabilizer Leg for off-road & rough environments
RAM-FOOT2	Adjustable stabilization foot for vehicle bases
RAM-VPR-101-1	Printer Mount for Brother PocketJet 3, 6 & 7 series
RAM-B-400U-C-VPR-102	Printer Mount for Canon BJC-85, i80, i90 & iP100
RAM-B-400U-C-VPR-103	Printer Mount for HP DeskJet 450/470 & OfficeJet 100
RAM-B-400U-C-VPR-104	Printer Mount for Brother Mobile RuggedJet 3050
RAM-B-400U-C-VPR-105	Printer Mount for Brother MW and Zebra QL series
RAM-VPR-106-1	Printer Mount for Brother RuggedJet RJ-4030 & RJ-4040



Tough-Dock™



Seen in this photo:
RAM-234-PAN2, Composite Passive Cradle for the Panasonic Toughbook CF-18 & CF-19

Tough-Dock™

The RAM® Tough-Dock is the industry's first injection-molded docking station for the Panasonic Toughbook® and Getac B300. Includes an integrated power supply, 5QTY USB, screen support, lock and much more.

Part Number	Compatible Devices	Description
RAM-234-PAN1P	Panasonic Toughbook CF-28, CF-29, CF-30, CF-31	Powered - single rf pass through
RAM-234-PAN1P-2RF	Panasonic Toughbook CF-28, CF-29, CF-30, CF-31	Powered - dual rf pass through
RAM-234-PAN2	Panasonic Toughbook CF-18 & CF-19	Non-powered
RAM-234-PAN7P	Panasonic Toughbook CF-52	Powered
RAM-234-GET2P	GETAC B300	Powered



RAM-234-PAN1P

Universal Laptop Vehicle Mounts



Seen in this photo:
RAM-SM1-234-3, Seat-Mate™ Universal Laptop Mount

Universal Laptop Vehicle Mounts

With the portable RAM® Seat-Mate™, transform any passenger seat into a workstation in a flash. Simply unpack the mount, unfold the legs and buckle it in the perfect solution for anyone who needs a temporary mobile workstation. The RAM Universal No-Drill™ Laptop Mount features a heavy-duty steel mounting base designed to fit a variety of vehicles via the front bench or passenger side seat rail bolts.

Part Number	Description
RAM-SM1-234-3	Seat-Mate Passenger Seat Mount
RAM-SM1-D-234-3	Seat-Mate with Long Arm
RAM-VB-196-SW1	Universal No-Drill Floor Mount
RAM-VBD-122-SW1	Universal Drill Down Floor Mount
RAM-VB-181-SW1	Universal Drill Down Vertical Mount



Vehicle Laptop Compatibility

Chevrolet

Model	Year	Kit Part Number	Base Part Number
Astro Van	2000 - 2011	RAM-VB-136-SW1	RAM-VB-136
Avalanche	2007 - 2013	RAM-VB-159-SW1	RAM-VB-159
Caprice Police Patrol Vehicle	2011 - 2013	RAM-VB-189-SW1	RAM-VB-189
City Express	2015 - 2017	RAM-VB-192-SW1	RAM-VB-159NR
Colorado	2004 - 2011	RAM-VB-116-SW1	RAM-VB-116
Colorado	2015 - 2017	RAM-VB-193-SW1	RAM-VB-193
Colorado Crew Cab	2012	RAM-VB-116-SW1	RAM-VB-116
Colorado Crew Cab	2004 - 2011	RAM-VB-116A-SW1	RAM-VB-116A
Colorado Extended Cab	2012	RAM-VB-116-SW1	RAM-VB-116
Colorado Regular Cab	2012	RAM-VB-116-SW1	RAM-VB-116
Express Van	1998 - 2017	RAM-VB-143-SW1	RAM-VB-143
G-Series Van	2010 - 2017	RAM-VB-143-SW1	RAM-VB-143
Impala (Non-Powered Seats)	2006 - 2010	RAM-VB-160-SW1	RAM-VB-160
Impala Police Package	2006 - 2016	RAM-VB-182-SW1	RAM-VB-182
Kodiak	2006 - 2011	RAM-VB-106-SW1	RAM-VB-106
Kodiak	2006 - 2011	RAM-VB-106R4-SW1	RAM-VB-106R4
Malibu	2006 - 2010	RAM-VB-157-SW1	RAM-VB-157
Silverado	2007 - 2013	RAM-VB-159-SW1	RAM-VB-159
Silverado 1500	2007 - 2017	RAM-VB-159-SW1	RAM-VB-159
Silverado 1500	2014 - 2017	RAM-VB-193-SW1	RAM-VB-193
Silverado 1500 Work Truck W/2WT	2014 - 2015	RAM-VB-191-SW1	RAM-VB-191
Silverado 2500	2014 - 2017	RAM-VB-193-SW1	RAM-VB-193
Silverado 2500HD	2007 - 2013	RAM-VB-159-SW1	RAM-VB-159
Silverado 3500	2014 - 2017	RAM-VB-193-SW1	RAM-VB-193
Silverado 3500HD	2007 - 2013	RAM-VB-159-SW1	RAM-VB-159
Silverado Hybrid	2009, 2012	RAM-VB-159-SW1	RAM-VB-159
Suburban	2007 - 2014	RAM-VB-159-SW1	RAM-VB-159
Suburban	2015 - 2017	RAM-VB-193-SW1	RAM-VB-193
Tahoe	2007 - 2014	RAM-VB-159-SW1	RAM-VB-159
Tahoe	2015 - 2016	RAM-VB-193-SW1	RAM-VB-193
Tahoe Hybrid	2012	RAM-VB-159-SW1	RAM-VB-159
Tahoe PPV	2014	RAM-VB-159-SW1	RAM-VB-159
Trailblazer	2002 - 2011	RAM-VB-114-SW1	RAM-VB-114

Chrysler

Model	Year	Kit Part Number	Base Part Number
300	2011 - 2015	RAM-VB-129-SW1	RAM-VB-129
Town & Country	2012 - 2013	RAM-VB-175-SW1	RAM-VB-175

For the most up to date vehicle base compatibility, visit rammount.com/vb-kits

Vehicle Laptop Compatibility

Dodge

Model	Year	Kit Part Number	Base Part Number
Avenger	2007 - 2010	RAM-VB-177-SW1	RAM-VB-177
C/V Tradesman Van	2014 - 2015	RAM-VB-175-SW1	RAM-VB-175
Challenger	2011	RAM-VB-129-SW1	RAM-VB-129
Charger (Non-Police Car)	2006 - 2010	RAM-VB-145-SW1	RAM-VB-145
Charger (Non-Police Car)	2011 - 2015	RAM-VB-129-SW1	RAM-VB-129
Charger (Police Car)	2006 - 2010	RAM-VB-145P-SW1	RAM-VB-145P
Charger (Police Car)	2011 - 2015	RAM-VB-129-SW1	RAM-VB-129
Dakota	1997 - 2011	RAM-VB-105-SW1	RAM-VB-105
Durango	2011 - 2017	RAM-VB-186-SW1	RAM-VB-186
Grand Caravan	2012 - 2014	RAM-VB-175-SW1	RAM-VB-175
Journey	2011 - 2017	RAM-VB-195-SW1	RAM-VB-195
Magnum (Non-Police Car)	2006 - 2010	RAM-VB-145-SW1	RAM-VB-145
Magnum (Police Car)	2006 - 2011	RAM-VB-145P-SW1	RAM-VB-145P
Nitro	2007 - 2011	RAM-VB-141-SW1	RAM-VB-141
RAM 1500	2008 - 2011	RAM-VB-178-SW1	RAM-VB-178
RAM 1500	2012 - 2017	RAM-VB-178A-SW1	RAM-VB-178A
RAM 2500	2008 - 2011	RAM-VB-178-SW1	RAM-VB-178
RAM 2500	2012 - 2017	RAM-VB-178A-SW1	RAM-VB-178A
RAM 3500	2008 - 2011	RAM-VB-178-SW1	RAM-VB-178
RAM 3500	2012 - 2017	RAM-VB-178A-SW1	RAM-VB-178A
RAM 3500 Tradesman	2017	RAM-VB-178A-SW1	RAM-VB-178A
RAM 4500	2008 - 2011	RAM-VB-178-SW1	RAM-VB-178
RAM 4500	2012 - 2017	RAM-VB-178A-SW1	RAM-VB-178A
RAM 5500	2008 - 2011	RAM-VB-178-SW1	RAM-VB-178
RAM 5500	2012 - 2017	RAM-VB-178A-SW1	RAM-VB-178A
RAM Chassis Cab	2011	RAM-VB-178-SW1	RAM-VB-178
RAM Chassis Cab	2012 - 2016	RAM-VB-178A-SW1	RAM-VB-178A
RAM ProMaster	2014 - 2017	RAM-VB-129-A-SW1	RAM-VB-129-A
RAM ProMaster City	2017	RAM-VB-129-C-SW1	RAM-VB-129-A
RAM ProMaster City Cargo Van	2014 - 2016	RAM-VB-129-C-SW1	RAM-VB-129-A
RAM ProMaster City Wagon	2014 - 2016	RAM-VB-129-C-SW1	RAM-VB-129-A
RAM ProMaster City Wagon SLT	2014 - 2016	RAM-VB-129-C-SW1	RAM-VB-129-A
RAM ProMaster SLT Cargo Van	2014 - 2016	RAM-VB-129-C-SW1	RAM-VB-129-A
Sprinter Van	2007 - 2011	RAM-VB-129-SW1	RAM-VB-129
Stratus	2005 - 2011	RAM-VB-147-SW1	RAM-VB-147

For the most up to date vehicle base compatibility, visit rammount.com/vb-kits

Vehicle Laptop Compatibility

Ford

Model	Year	Kit Part Number	Base Part Number
C-MAX	2014 - 2016	RAM-VB-195-SW1	RAM-VB-195
Crown Victoria	1991 - 2011	RAM-VB-106-SW1	RAM-VB-106
Crown Victoria Police Interceptor	1991 - 2011	RAM-VB-117-SW1	RAM-VB-117
Crown Victoria Police Interceptor	2001 - 2011	RAM-VB-106R4-SW1	RAM-VB-106R4
E-350	2012 - 2017	RAM-VB-119-SW1	RAM-VB-119
E-450	2012 - 2017	RAM-VB-119-SW1	RAM-VB-119
Econoline Van	1995 - 2015	RAM-VB-119-SW1	RAM-VB-119
Edge	2007 - 2013	RAM-VB-172-SW1	RAM-VB-172
Edge	2014 - 2017	RAM-VB-187-SW1	RAM-VB-187
Escape	2001 - 2012	RAM-VB-152-SW1	RAM-VB-152
Escape	2013 - 2017	RAM-VB-195-SW1	RAM-VB-195
Expedition	1997 - 2017	RAM-VB-110-SW1	RAM-VB-110
Explorer	2002 - 2010	RAM-VB-112-SW1	RAM-VB-112
Explorer	2011 - 2017	RAM-VB-187-SW1	RAM-VB-187
Explorer Sport Trac	2007 - 2010	RAM-VB-112-SW1	RAM-VB-112
F-150	2004 - 2014	RAM-VB-109-SW1	RAM-VB-109
F-150	2004 - 2014	RAM-VB-109A-SW1	RAM-VB-109A
F-150	2015 - 2017	RAM-VB-195-SW1	RAM-VB-195
F-150 SVT	2013	RAM-VB-109-SW1	RAM-VB-109
F-150 SVT	2013	RAM-VB-109A-SW1	RAM-VB-109A
F-150 SVT Raptor	2012	RAM-VB-109-SW1	RAM-VB-109
F-150 XL	2013	RAM-VB-109A-SW1	RAM-VB-109A
F-150 XL	2012 - 2013	RAM-VB-109-SW1	RAM-VB-109
F-150 XLT	2013	RAM-VB-109-SW1	RAM-VB-109
F-150 XLT	2013	RAM-VB-109A-SW1	RAM-VB-109A
F-250	2017	RAM-VB-195-SW1	RAM-VB-195
F-250	1997 - 2016	RAM-VB-185-SW1	RAM-VB-185
F-350	2017	RAM-VB-195-SW1	RAM-VB-195
F-350	1997 - 2016	RAM-VB-185-SW1	RAM-VB-185
F-450	2017	RAM-VB-195-SW1	RAM-VB-195
F-450	1997 - 2016	RAM-VB-185-SW1	RAM-VB-185
F-550	2017	RAM-VB-195-SW1	RAM-VB-195
F-550	1997 - 2016	RAM-VB-185-SW1	RAM-VB-185
F-650	1997 - 2017	RAM-VB-185-SW1	RAM-VB-185
F-750	1997 - 2017	RAM-VB-185-SW1	RAM-VB-185
Fiesta	2015	RAM-VB-172-SW1	RAM-VB-172
Flex	2009 - 2017	RAM-VB-161R-SW1	RAM-VB-161R
Focus	2003 - 2010	RAM-VB-148-SW1	RAM-VB-148
Focus	2011 - 2016	RAM-VB-195-SW1	RAM-VB-195
Fusion	2006 - 2012	RAM-VB-167-SW1	RAM-VB-167
Fusion	2013 - 2017	RAM-VB-172-SW1	RAM-VB-172
Fusion Hybrid	2011 - 2012	RAM-VB-167-SW1	RAM-VB-167
Police Interceptor Sedan	2013 - 2016	RAM-VB-190-SW1	RAM-VB-190
Police Interceptor Utility	2013 - 2016	RAM-VB-187-SW1	RAM-VB-187
Ranger	1994 - 2012	RAM-VB-113-SW1	RAM-VB-113
Taurus	2008 - 2012	RAM-VB-161-SW1	RAM-VB-161
Taurus	2013 - 2016	RAM-VB-190-SW1	RAM-VB-190
Transit Connect	2010 - 2013	RAM-VB-175-SW1	RAM-VB-175
Transit Connect	2014 - 2017	RAM-VB-195-SW1	RAM-VB-195
Transit Full Size Van	2014 - 2017	RAM-VB-194-SW1	RAM-VB-194

For the most up to date vehicle base compatibility, visit rammount.com/vb-kits

Vehicle Laptop Compatibility

Freightliner

Model	Year	Kit Part Number	Base Part Number
Sprinter Van	2010 - 2017	RAM-VB-129-SW1	RAM-VB-129

GMC

Model	Year	Kit Part Number	Base Part Number
Canyon	2004 - 2012	RAM-VB-116-SW1	RAM-VB-116
Canyon	2015 - 2017	RAM-VB-193-SW1	RAM-VB-193
Canyon Crew Cab	2004 - 2011	RAM-VB-116A-SW1	RAM-VB-116A
Envoy	2002 - 2011	RAM-VB-114-SW1	RAM-VB-114
G-Series Van	2010 - 2016	RAM-VB-143-SW1	RAM-VB-143
Savana Van	1998 - 2017	RAM-VB-143-SW1	RAM-VB-143
Sierra 1500	2007 - 2013	RAM-VB-159-SW1	RAM-VB-159
Sierra 1500	2014 - 2017	RAM-VB-193-SW1	RAM-VB-193
Sierra 2500	2007 - 2014	RAM-VB-159-SW1	RAM-VB-159
Sierra 2500	2015 - 2017	RAM-VB-193-SW1	RAM-VB-193
Sierra 3500	2007 - 2014	RAM-VB-159-SW1	RAM-VB-159
Sierra 3500	2015 - 2017	RAM-VB-193-SW1	RAM-VB-193
TopKick 4500	2006 - 2011	RAM-VB-106-SW1	RAM-VB-106
TopKick 4500	2006 - 2011	RAM-VB-106R4-SW1	RAM-VB-106R4
TopKick 5500	2006 - 2011	RAM-VB-106-SW1	RAM-VB-106
TopKick 5500	2006 - 2011	RAM-VB-106R4-SW1	RAM-VB-106R4
TopKick 6500	2006 - 2011	RAM-VB-106-SW1	RAM-VB-106
TopKick 6500	2006 - 2011	RAM-VB-106R4-SW1	RAM-VB-106R4
TopKick 7500	2006 - 2011	RAM-VB-106-SW1	RAM-VB-106
TopKick 7500	2006 - 2011	RAM-VB-106R4-SW1	RAM-VB-106R4
TopKick 8500	2006 - 2011	RAM-VB-106-SW1	RAM-VB-106
TopKick 8500	2006 - 2011	RAM-VB-106R4-SW1	RAM-VB-106R4
Yukon	2007 - 2014	RAM-VB-159-SW1	RAM-VB-159
Yukon	2015 - 2017	RAM-VB-193-SW1	RAM-VB-193
Yukon Denali	2008 - 2013	RAM-VB-159-SW1	RAM-VB-159
Yukon Denali Hybrid	2011 - 2013	RAM-VB-159-SW1	RAM-VB-159
Yukon Hybrid	2009 - 2013	RAM-VB-159-SW1	RAM-VB-159
Yukon XL	2008 - 2016	RAM-VB-159-SW1	RAM-VB-159
Yukon XL Denali	2008 - 2013	RAM-VB-159-SW1	RAM-VB-159

Honda

Model	Year	Kit Part Number	Base Part Number
Accord	2008 - 2010	RAM-VB-169-SW1	RAM-VB-169
Civic	2006 - 2011	RAM-VB-155-SW1	RAM-VB-155
CR-V	2005 - 2011	RAM-VB-135-SW1	RAM-VB-135
Element	2004 - 2011	RAM-VB-135-SW1	RAM-VB-135
Element	2004 - 2011	RAM-VB-135MH1-SW1	RAM-VB-135MH1
Ridgeline	2006 - 2013	RAM-VB-132-SW1	RAM-VB-132

Hummer

Model	Year	Kit Part Number	Base Part Number
H2	2003 - 2011	RAM-VB-159-SW1	RAM-VB-159

Hyundai

Model	Year	Kit Part Number	Base Part Number
Elantra	2005 - 2011	RAM-VB-156-SW1	RAM-VB-156

For the most up to date vehicle base compatibility, visit rammount.com/vb-kits

Vehicle Laptop Compatibility

Infiniti

Model	Year	Kit Part Number	Base Part Number
QX56	2004 - 2010	RAM-VB-134-SW1	RAM-VB-134

Isuzu

Model	Year	Kit Part Number	Base Part Number
NPR	2000 - 2017	RAM-VB-197-SW2	RAM-VB-197-SW2NT

Jeep

Model	Year	Kit Part Number	Base Part Number
Cherokee	2014 - 2015	RAM-VB-121-SW1	RAM-VB-121
Commander	2006 - 2010	RAM-VB-142-SW1	RAM-VB-142
Compass	2013 - 2017	RAM-VB-195-SW1	RAM-VB-195
Grand Cherokee	2005 - 2010	RAM-VB-142-SW1	RAM-VB-142
Grand Cherokee	2011 - 2017	RAM-VB-186-SW1	RAM-VB-186
Liberty	2002 - 2012	RAM-VB-141-SW1	RAM-VB-141
Patriot	2013 - 2017	RAM-VB-195-SW1	RAM-VB-195
Wrangler Rubicon	2007 - 2011	RAM-VB-170-SW1	RAM-VB-170
Wrangler Sahara	2007 - 2011	RAM-VB-170-SW1	RAM-VB-170
Wrangler Sport	2007 - 2011	RAM-VB-170-SW1	RAM-VB-170
Wrangler Unlimited	2007 - 2011	RAM-VB-170-SW1	RAM-VB-170

Lincoln

Model	Year	Kit Part Number	Base Part Number
Mark LT	2005 - 2011	RAM-VB-109-SW1	RAM-VB-109
Mark LT	2005 - 2011	RAM-VB-109A-SW1	RAM-VB-109A
MKZ	2007 - 2010	RAM-VB-167-SW1	RAM-VB-167
Navigator	2006 - 2010	RAM-VB-166-SW1	RAM-VB-166
Town Car	2005 - 2010	RAM-VB-117-SW1	RAM-VB-117

Mazda

Model	Year	Kit Part Number	Base Part Number
Tribute	2005 - 2010	RAM-VB-152-SW1	RAM-VB-152

Mercedes

Model	Year	Kit Part Number	Base Part Number
Sprinter Van	2010 - 2017	RAM-VB-129-SW1	RAM-VB-129

Mercury

Model	Year	Kit Part Number	Base Part Number
Mariner	2005 - 2010	RAM-VB-152-SW1	RAM-VB-152
Milan	2006 - 2010	RAM-VB-167-SW1	RAM-VB-167
Mountaineer	2002 - 2010	RAM-VB-112-SW1	RAM-VB-112

For the most up to date vehicle base compatibility, visit rammount.com/vb-kits

Vehicle Laptop Compatibility

Nissan

Model	Year	Kit Part Number	Base Part Number
Altima	2009 - 2010	RAM-VB-156ST-SW1	RAM-VB-156ST
Armada	2004 - 2015	RAM-VB-134-SW1	RAM-VB-134
Armada Platinum	2013	RAM-VB-134-SW1	RAM-VB-134
Armada SL	2013	RAM-VB-134-SW1	RAM-VB-134
Armada SV	2013	RAM-VB-134-SW1	RAM-VB-134
Frontier (4X4 Only)	2005 - 2016	RAM-VB-154-SW1	RAM-VB-154
NV1500	2011 - 2016	RAM-VB-180-SW1	RAM-VB-180
NV200	2010 - 2017	RAM-VB-192-SW1	RAM-VB-159NR
NV200 S Compact Cargo	2013 - 2017	RAM-VB-192-SW1	RAM-VB-159NR
NV200 SV Compact Cargo	2013 - 2017	RAM-VB-192-SW1	RAM-VB-159NR
NV2500 HD	2011 - 2016	RAM-VB-180-SW1	RAM-VB-180
NV3500 HD	2011 - 2016	RAM-VB-180-SW1	RAM-VB-180
Pathfinder	2005 - 2013	RAM-VB-154-SW1	RAM-VB-154
Titan	2004 - 2015	RAM-VB-134-SW1	RAM-VB-134
Titan Pro-4X	2013	RAM-VB-134-SW1	RAM-VB-134
Titan S	2013	RAM-VB-134-SW1	RAM-VB-134
Titan SL	2013	RAM-VB-134-SW1	RAM-VB-134
Titan SV	2013	RAM-VB-134-SW1	RAM-VB-134
Versa	2013	RAM-VB-171-SW1	RAM-VB-171
Xterra (4X4 Only)	2005 - 2015	RAM-VB-154-SW1	RAM-VB-154

Scion

Model	Year	Kit Part Number	Base Part Number
xB	2008 - 2011	RAM-VB-196-SW1	RAM-VB-196

Subaru

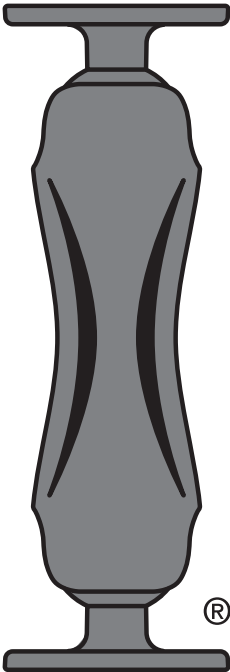
Model	Year	Kit Part Number	Base Part Number
Impreza	2006 - 2010	RAM-VB-169-SW1	RAM-VB-169

Toyota

Model	Year	Kit Part Number	Base Part Number
4Runner	2005 - 2016	RAM-VB-138-SW1	RAM-VB-138
Camry	2006 - 2011	RAM-VB-137-SW1	RAM-VB-137
Corolla	2010	RAM-VB-196-SW1	RAM-VB-196
FJ Cruiser	2006 - 2014	RAM-VB-138ST1-SW1	RAM-VB-138ST1
FJ Cruiser 4X2 AT	2013	RAM-VB-138ST1-SW1	RAM-VB-138ST1
FJ Cruiser 4X4 AT	2013	RAM-VB-138ST1-SW1	RAM-VB-138ST1
FJ Cruiser 4X4 MT	2013	RAM-VB-138ST1-SW1	RAM-VB-138ST1
Highlander	2008 - 2010	RAM-VB-138ST2-SW1	RAM-VB-138ST2
Highlander Hybrid	2008 - 2010	RAM-VB-138ST2-SW1	RAM-VB-138ST2
Prius	2010 - 2015	RAM-VB-196-SW1	RAM-VB-196
Prius	2016 - 2017	RAM-VB-196-SW1	RAM-VB-196
Prius C	2014 - 2015	RAM-VB-179-SW1	RAM-VB-179
RAV4	2005 - 2011	RAM-VB-149-SW1	RAM-VB-149
Tacoma	2005 - 2016	RAM-VB-138-SW1	RAM-VB-138
Tundra	2007 - 2015	RAM-VB-180-SW1	RAM-VB-180
Tundra CrewMax	2012 - 2013	RAM-VB-180-SW1	RAM-VB-180
Tundra Double Cab	2012 - 2013	RAM-VB-180-SW1	RAM-VB-180
Tundra Regular Cab	2012 - 2013	RAM-VB-180-SW1	RAM-VB-180
Yaris	2008 - 2011	RAM-VB-179-SW1	RAM-VB-179

For the most up to date vehicle base compatibility, visit rammount.com/vb-kits

The Shape That Started It All



RAM® double socket arms with their distinctive Hourglass Shape are recognized globally as a symbol of the reliability, quality and durability of this line of products. The Hourglass Shape is a registered trademark of National Products Inc.

The unique RAM Mounts system offers a full line of interchangeable mounting bases, extensions, device adapters and accessories to secure your gear where you want it. See all of the innovative products and solutions RAM manufactures at rammount.com.



The distinctive RAM "X-Grip" product shape is a trademark of National Products Inc.



The distinctive "D" product shape of the GDS® connector is a trademark of National Products Inc.



RAM® Mounts is a division of National Products Inc.
8410 Dallas Avenue South
Seattle, WA 98108
Phone: 800.497.7479
sales@rammount.com
rammount.com

Lifetime Warranty
Patents and Trademarks
rammount.com/ip

National Products Inc.
Would like to thank the following:
ROAMR - iamROAMR.COM

Contact Us

sales@rammount.com

1-800-497-7479

Join Our Community



NPI-CAT-VEHICLE17
AUGUST 2017

