



RAM[®]

VEHICLE MOUNTING CATALOG

Shock and vibration protection

Low cost

Military endorsed

Available in metal or composite

Large selection of no-drill™ vehicle bases

Ease of installation and use

Proven ball and socket designs

Patented ergonomic designed docks for safety

State of the art form and function

Made in USA

Lifetime warranty



JUST RAM IT![®]

Sold Through Dealers, Re-Seller Programs Available WWW.RAM-MOUNT.COM 1-800-497-7479

RAM Vehicle Laptop Mounts

No-Drill™ Vehicle Laptop Mounts Install Lightning Fast!

RAM Vehicle Mounts are designed for the most popular cars, trucks and fleet vehicles on the road. These heavy-duty steel laptop bases are custom formed to fit specific vehicle models. This provides a mounting platform for any RAM Laptop Mounting System. Using the front bench or passenger side seat rail bolts as attachment points, existing hardware in the vehicle is all that is required to secure these bases. If needed, additional hardware is supplied. Because of their unique ability to absorb damaging shock and vibration, RAM Mounting desks are the perfect choice for securing computers and electronics of any type.

Many docking stations look the same. Remove the laptop and view why RAM's designs are unique.



Stylized RAM Tough Dock™ Look & Feel. Note: Molded in features that make the RAM Tough™ Dock Unique

Internal and external hex pockets to eliminate machining & provides stronger threads without the need for thread locking materials. These hex pockets also allow for easy replacement of hex screws or nuts. Screws and nuts may be of different materials than the main housing to provide better strength and characteristics without the need for weld nuts or inserts. Internal features for cable routing, integrated PCB structures, mounting bosses, electronic component mounting holes, slots and lugs all accomplished without the need for machining, bending or welding. These unique features inherently have structural radius and smooth edges for protection of wires and components.



Internal and external ribs plus features provide strength and rigidity. This equates to a stronger tray with less material weight for cost savings.



All outside corners have large radius edges to help prevent injury or damage to persons or equipment. Internal radius provides strength plus a good feel and overall appealing look.

Unique features may be molded such as the screen support fold down pocket shown here, also notice the large smooth edges and corners at the front of the tray.

Integrated cable securing features prevent jacks from being accidentally pulled out while holding cables in a clean and orderly manner.

Table Of Contents

The RAM Vehicle Mounting catalog is a complete guide for all your vehicle needs. The information contained in this catalog is consistently growing; therefore, please check the www.ram-mount.com site for updates, or solutions for all your mounting needs.

RAM Vehicle Laptop Mount Bases & Systems.....	4-30
RAM Powered Docks & Laptop Trays.....	31-35
RAM Laptop Mount Accessories.....	36-40
RAM Laptop Mount Risers, Poles & Tele-Poles.....	41-43
RAM Printer Mounts	44-45
RAM Contact Information.....	46

RAM[®]

VEHICLE LAPTOP
MOUNT BASES &
SYSTEMS



RAM Vehicle Laptop Mount Bases & Systems

MAKE	MODEL	YEAR	VEHICLE BASE #	COMPLETE SYSTEM #	PAGE
ACURA					
	MDX	2001-2006	RAM-VB-163	RAM-VB-163-SW1	27
BUICK					
	RENDEZVOUS	2004-NEWER	RAM-VB-106R4	RAM-VB-106R4-SW1	11
	TERRAZA	2005-NEWER	RAM-VB-146	RAM-VB-146-SW1	23
CADILLAC					
	ESCALADE	2000-2006	RAM-VB-131R4	RAM-VB-131R4-SW1	17
CHEVROLET					
	AVALANCHE	2000-2006	RAM-VB-131A	RAM-VB-131A-SW1	17
			RAM-VB-131R4	RAM-VB-131R4-SW1	17
	AVALANCHE	2007-NEWER	RAM-VB-159	RAM-VB-159-SW1	26
	ASTRO VAN	2000-NEWER	RAM-VB-136	RAM-VB-136-SW1	19
	BLAZER S-10	1995-2001	RAM-VB-101	RAM-VB-101-SW1	10
	CAMARO	1993-2004	RAM-VB-106	RAM-VB-106-SW1	11
			RAM-VB-117	RAM-VB-117-SW1	14
	CAPRICE	1990-1995	RAM-VB-107	RAM-VB-107-SW1	12
	COLORADO	2004-NEWER	RAM-VB-116	RAM-VB-116-SW1	14
	EXPRESS VAN	2001-NEWER	RAM-VB-143	RAM-VB-143-SW1	21
	IMPALA	2000-2005	RAM-VB-111	RAM-VB-111-SW1	13
	IMPALA	2006-NEWER	RAM-VB-160	RAM-VB-160-SW1	26
	KODIAK	2006-NEWER	RAM-VB-106	RAM-VB-106-SW1	11
	MALIBU	2005-NEWER	RAM-VB-157	RAM-VB-157-SW1	25
	PICK-UP 4WD FULL-SIZE/2500	1986-2003	RAM-VBD-125	RAM-VBD-125-SW1	16
	SILVERADO	1998-OLDER	RAM-VB-103	RAM-VB-103-SW1	10
	SILVERADO	1999-2006	RAM-VB-102	RAM-VB-102-SW1	10
	SILVERADO (DELUXE POWER SEATS)	1999-2006	RAM-VB-131A	RAM-VB-131A-SW1	17
			RAM-VB-131R4	RAM-VB-131R4-SW1	17
	SILVERADO	2007-NEWER	RAM-VB-159	RAM-VB-159-SW1	26
	SUBURBAN	1994-1999	RAM-VB-103	RAM-VB-103-SW1	10
	SUBURBAN	2000-2006	RAM-VB-102	RAM-VB-102-SW1	10
	SUBURBAN (DELUXE POWER SEATS)	2000-2006	RAM-VB-131A	RAM-VB-131A-SW1	17
			RAM-VB-131R4	RAM-VB-131R4-SW1	17
	SUBURBAN (DELUXE POWER SEATS)	2007-NEWER	RAM-VB-159	RAM-VB-159-SW1	26
	S-10 4X4 ONLY	1995-2004	RAM-VB-101	RAM-VB-101-SW1	10
	S-10	1994-OLDER	RAM-VBD-125	RAM-VBD-125-SW1	16
	TAHOE	1994-1999	RAM-VB-103	RAM-VB-103-SW1	10
	TAHOE	2000-2006	RAM-VB-102	RAM-VB-102-SW1	10
	TAHOE (DELUXE POWER SEATS)	2000-2006	RAM-VB-131R4	RAM-VB-131R4-SW1	17
	TAHOE (FRONT BUCKET SEATS)	2007-NEWER	RAM-VB-159	RAM-VB-159	26
	TRAILBLAZER	2002-NEWER	RAM-VB-114	RAM-VB-114-SW1	13
	UPLANDER	2005-NEWER	RAM-VB-146	RAM-VB-146-SW1	23
	1500 C/K SERIES 2WD	1994-1999	RAM-VB-103	RAM-VB-103-SW1	10
	1500 C/K SERIES 4WD-SELECTOR ON DASH ONLY	1994-1999	RAM-VB-103	RAM-VB-103-SW1	10
	2500 & 3500 C/K SERIES	1994-2000	RAM-VB-103	RAM-VB-103-SW1	10
	2500 & 3500 C/K SERIES	2000-2006	RAM-VB-102	RAM-VB-102-SW1	10
	2500 & 3500 C/K SERIES (DELUXE POWER SEATS)	2000-2006	RAM-VB-131R4	RAM-VB-131R4-SW1	17

RAM Vehicle Laptop Mount Bases & Systems

MAKE	MODEL	YEAR	VEHICLE BASE #	COMPLETE SYSTEM #	PAGE
CHRYSLER					
	ASPEN	2007-NEWER	RAM-VB-130	RAM-VB-130-SW1	17
	PT CRUISER	2001-NEWER	RAM-VB-162	RAM-VB-162-SW1	27
	TOWN & COUNTRY	2008-NEWER	RAM-VB-175	RAM-VB-175-SW1	30
	300	2005-NEWER	RAM-VB-145	RAM-VB-145-SW1	22
DODGE					
	CARAVAN	1996-2007	RAM-VB-121	RAM-VB-121-SW1	15
	CHARGER (NOT POLICE VERSION)	2005	RAM-VB-129	RAM-VB-129-SW1	17
	CHARGER (POLICE VERSION)	2005-NEWER	RAM-VB-145P	RAM-VB-145P-SW1	22
	CHARGER (POLICE VERSION)	2006-NEWER	RAM-VB-D-145-1	RAM-VB-D-145-1-SW1	22
	DAKOTA	1997-NEWER	RAM-VB-105	RAM-VB-105-SW1	11
	DURANGO	1997-2003	RAM-VB-105	RAM-VB-105-SW1	11
	DURANGO	2004-NEWER	RAM-VB-130	RAM-VB-130-SW1	17
	GRAND CARAVAN	2005-2007	RAM-VB-146	RAM-VB-146-SW1	23
	GRAND CARAVAN	2008-NEWER	RAM-VB-175	RAM-VB-175-SW1	30
	MAGNUM (NOTE POLICE VERSION)	2005	RAM-VB-129	RAM-VB-129-SW1	17
	MAGNUM (POLICE VERSION)	2005-NEWER	RAM-VB-145P	RAM-VB-145P-SW1	22
			RAM-VB-145	RAM-VB-145-SW1	22
	NITRO	2007-2008	RAM-VB-141	RAM-VB-141-SW1	21
	RAM 1500	2002-2008	RAM-VB-104	RAM-VB-104-SW1	11
	RAM 2500/3500	1994-2002	RAM-VB-127	RAM-VB-127-SW1	16
	RAM 2500/3500/4500/5500	2003-2008	RAM-VB-104	RAM-VB-104-SW1	11
	SPRINTER VAN	2003-2006	RAM-VB-106R4	RAM-VB-106R4-SW1	11
	SPRINTER VAN	2007-NEWER	RAM-VB-129	RAM-VB-129-SW1	17
	STRATUS	2005-NEWER	RAM-VB-147	RAM-VB-147-SW1	23
	UTILITY VAN	1995-NEWER	RAM-VBD-125	RAM-VBD-125-SW1	16
FORD					
	BRONCO	1996-OLDER	RAM-VBD-126	RAM-VBD-126-SW1	16
	CROWN VICTORIA/POLICE INTERCEPTOR	1991-NEWER	RAM-VB-106	RAM-VB-106-SW1	11
			RAM-VB-107	RAM-VB-107-SW1	12
			RAM-VB-117	RAM-VB-117-SW1	14
	ECONOLINE VAN	1995-NEWER	RAM-VB-119	RAM-VB-119-SW1	15
	EDGE	2007-NEWER	RAM-VB-172	RAM-VB-172-SW1	29
	ESCAPE	2001-NEWER	RAM-VB-152	RAM-VB-152-SW1	24
	EXCURSION	2000-2005	RAM-VB-108	RAM-VB-108-SW1	12
	EXPEDITION	1997-2008	RAM-VB-110	RAM-VB-110-SW1	12
	EXPEDITION EL (LONG CAB VERSION)	2004-2006	RAM-VB-166	RAM-VB-166-SW1	28
	EXPEDITION	1996-OLDER	RAM-VBD-126	RAM-VBD-126-SW1	16
	EXPLORER	2002-NEWER	RAM-VB-112	RAM-VB-112-SW1	13
	EXPLORER SPORT TRAC	2001-2006	RAM-VB-113	RAM-VB-113-SW1	13
	FIVE HUNDRED	2005-2007	RAM-VB-161	RAM-VB-161-SW1	26
	FOCUS	2003-NEWER	RAM-VB-148	RAM-VB-148-SW1	23
	FREESTAR	2004-NEWER	RAM-VB-120	RAM-VB-120-SW1	15
	FREESTYLE	2005-NEWER	RAM-VB-161	RAM-VB-161-SW1	26
	F-150	2004-NEWER	RAM-VB-109	RAM-VB-109-SW1	12
	F-150	1997-2003	RAM-VB-110	RAM-VB-110-SW1	12
	F-150 HERITAGE	2004	RAM-VB-110	RAM-VB-110-SW1	12
	F-150	1996-OLDER	RAM-VBD-126	RAM-VBD-126-SW1	16
	FORD F-250, F-350, F-450, F-550, F-650 & F-750 SUPER DUTY TRUCKS	1999-NEWER	RAM-VB-108	RAM-VB-108-SW1	12

RAM Vehicle Laptop Mount Bases & Systems

MAKE	MODEL	YEAR		COMPLETE SYSTEM #	PAGE
FORD <i>continue</i>					
	F-250 (LIGHT DUTY)	1997-2004	RAM-VB-110	RAM-VB-110-SW1	12
	F-250	1996-OLDER	RAM-VBD-126	RAM-VBD-126-SW1	16
	FUSION	2006-NEWER	RAM-VB-167	RAM-VB-167-SW1	28
	RANGER	1994-NEWER	RAM-VB-113	RAM-VB-113-SW1	13
	TAURUS	2008-NEWER	RAM-VB-161	RAM-VB-161-SW1	26
	TAURUS LX, SE, SIX PASSENGER MODEL	1998-2006	RAM-VB-115	RAM-VB-115-SW1	14
	TAURUS GL, SIX PASSENGER MODEL	1997	RAM-VB-115	RAM-VB-115-SW1	14
	TAURUS	1995-OLDER	RAM-VB-115	RAM-VB-115-SW1	14
	WINDSTAR	2004-2007	RAM-VB-110	RAM-VB-110-SW1	12
GMC					
	ACADIA	2007-NEWER	RAM-VBD-125	RAM-VBD-125-SW1	16
	CANYON	2004-NEWER	RAM-VB-116	RAM-VB-116-SW1	14
	ENVOY	2002-NEWER	RAM-VB-114	RAM-VB-114-SW1	13
	SAVANA VAN	2001-NEWER	RAM-VB-143	RAM-VB-143-SW1	21
	SIERRA	2000-2006	RAM-VB-102	RAM-VB-102-SW1	10
	SIERRA (DELUXE POWER SEATS)	2000-2006	RAM-VB-131A	RAM-VB-131A-SW1	17
			RAM-VB-131R4	RAM-VB-131R4-SW1	17
	SIERRA	1994-1999	RAM-VB-103	RAM-VB-103-SW1	10
	SONOMA	1995-2004	RAM-VB-101	RAM-VB-101-SW1	10
	YUKON	1994-1999	RAM-VB-103	RAM-VB-103-SW1	10
	YUKON	2000-2006	RAM-VB-102	RAM-VB-102-SW1	10
	YUKON (DELUXE POWER SEATS)	2000-2006	RAM-VB-131A	RAM-VB-131A-SW1	17
			RAM-VB-131R4	RAM-VB-131R4-SW1	17
	YUKON	2007-NEWER	RAM-VB-159	RAM-VB-159-SW1	26
HONDA					
	ACCORD	2004-2007	RAM-VB-139	RAM-VB-139-SW1	20
	CIVIC	2006-NEWER	RAM-VB-155	RAM-VB-155-SW1	25
	CR-V	2006-NEWER	RAM-VB-135	RAM-VB-135-SW1	18
	ELEMENT	2004-NEWER	RAM-VB-135MH1	RAM-VB-135MH1-SW1	19
	PILOT	2005-NEWER	RAM-VB-163	RAM-VB-163-SW1	27
	RIDGELINE	2006-NEWER	RAM-VB-132	RAM-VB-132-SW1	18
HUMMER					
	H2	2003-NEWER	RAM-VB-159	RAM-VB-159-SW1	26
	H3	2006-NEWER	RAM-VB-165	RAM-VB-165-SW1	27
HYUNDAI					
	AZERA	2006-NEWER	RAM-VB-156	RAM-VB-156-SW1	25
	ELANTRA	2005-NEWER	RAM-VB-156	RAM-VB-156-SW1	25
	SONATA	2005-NEWER	RAM-VB-156	RAM-VB-156-SW1	25
JEEP					
	GRAND CHEROKEE	2005-NEWER	RAM-VB-142	RAM-VB-142-SW1	21
	LIBERTY	2001-2005	RAM-VB-141	RAM-VB-141-SW1	21
	SE, CLASSIC, SPORT, LTD	1998-2001	RAM-VB-118	RAM-VB-118-SW1	14
	WRANGLER 2 DR,4 DR,SAHARA 2 DR.SAHARA 4 DR,RUBICON 2 DR,RUBICON 4 DR	2007-NEWER	RAM-VB-170	RAM-VB-170-SW1	29
	WRANGLER	1997-2006	RAM-VB-158	RAM-VB-158-SW1	27
KIA					
	OPTIMA	2005-NEWER	RAM-VB-156	RAM-VB-156-SW1	25
	SORENTO	2005-NEWER	RAM-VB-144	RAM-VB-144-SW1	22

RAM Vehicle Laptop Mount Bases & Systems

MAKE	MODEL	YEAR		COMPLETE SYSTEM #	PAGE
LINCOLN					
	MARK LT	2005-NEWER	RAM-VB-109	RAM-VB-109-SW1	12
	MKZ	2007-NEWER	RAM-VB-167	RAM-VB-167-SW1	28
	NAVIGATOR	2006-NEWER	RAM-VB-166	RAM-VB-166-SW1	28
	TOWN CAR	2005-NEWER	RAM-VB-117	RAM-VB-117-SW1	14
M AZDA					
	TRIBUTE	2005-NEWER	RAM-VB-152	RAM-VB-152-SW1	24
MERCURY					
	MARINER	2005-NEWER	RAM-VB-152	RAM-VB-152-SW1	24
	MILAN	2006-NEWER	RAM-VB-167	RAM-VB-167-SW1	28
	MONTEGO	2005-NEWER	RAM-VB-161	RAM-VB-161-SW1	26
	MOUNTAINEER	2002-NEWER	RAM-VB-112	RAM-VB-112-SW1	13
NISSAN					
	FRONTIER 4X4 ONLY	2004-NEWER	RAM-VB-154	RAM-VB-154-SW1	25
	PATHFINDER	2005-NEWER	RAM-VB-154	RAM-VB-154-SW1	25
	TITAN	2004-NEWER	RAM-VB-134	RAM-VB-134-SW1	18
	XTERRA 4X4 ONLY	2005-2006	RAM-VB-154	RAM-VB-154-SW1	25
PLYMOUTH					
	VOYAGER	1996-2004	RAM-VB-121	RAM-VB-121-SW1	15
PONTIAC					
	MONTANA Sv6	2005-NEWER	RAM-VB-146	RAM-VB-146-SW1	23
	VIBE	2003-NEWER	RAM-VB-137	RAM-VB-137-SW1	19
SATURN					
	OUTLOOK	2007-NEWER	RAM-VBD-125	RAM-VBD-125-SW1	16
	RELAY	2005-NEWER	RAM-VB-146	RAM-VB-146-SW1	23
SCION					
	XB	2008-NEWER	RAM-VB-173	RAM-VB-173-SW1	29
	XB	2005-2007	RAM-VB-150	RAM-VB-150-SW1	24
SEMI TRUCKS					
	FREIGHTLINER TRUCKS		RAM-VB-168	RAM-VB-168-SW1	28
	INTERNATIONAL TRUCKS		RAM-VB-168	RAM-VB-168-SW1	28
	KENWORTH TRUCKS		RAM-VB-168	RAM-VB-168-SW1	28
	PETERBILT TRUCKS		RAM-VB-168	RAM-VB-168-SW1	28
	VOLVO TRUCKS		RAM-VB-168	RAM-VB-168-SW1	28
	NATIONAL SEATING CAPTAIN'S CHAIR	2006-NEWER	RAM-VB-140	RAM-VB-140-SW1	21
	SEARS SEATING ATLAS SERIES SEATS	2005-NEWER	RAM-VB-164	RAM-VB-164-SW1	27
	SEATS INC. CHAIRS	2005-NEWER	RAM-VB-151	RAM-VB-151-SW1	24
SUBARU					
	FORESTER	2006-NEWER	RAM-VB-169	RAM-VB-169-SW1	28
	IMPREZA	2006-NEWER	RAM-VB-169	RAM-VB-169-SW1	28
	LEGACY	2006-NEWER	RAM-VB-169	RAM-VB-169-SW1	28
	LEGACY/OUTBACK	2006-NEWER	RAM-VB-169	RAM-VB-169-SW1	28

RAM Vehicle Laptop Mount Bases & Systems

MAKE	MODEL	YEAR	VEHICLE BASE #	COMPLETE SYSTEM #	PAGE
TOYOTA					
CAMRY		2006-NEWER	RAM-VB-137	RAM-VB-137-SW1	19
COROLLA		2003-2008	RAM-VB-137	RAM-VB-137-SW1	19
FJ CRUISER		2006-NEWER	RAM-VB-138ST1	RAM-VB-138ST1-SW1	20
HIGHLANDER		2008-NEWER	RAM-VB-138ST2	RAM-VB-138ST2-SW1	20
HIGHLANDER		2005-2007	RAM-VB-149	RAM-VB-149-SW1	23
MATRIX		2003-2008	RAM-VB-137	RAM-VB-137-SW1	19
PRIUS		2007-NEWER	RAM-VB-171	RAM-VB-171-SW1	29
RAV4		2006-NEWER	RAM-VB-149	RAM-VB-149-SW1	23
SEQUOIA		2001-NEWER	RAM-VB-133	RAM-VB-133-SW1	18
SIENNA		2005-NEWER	RAM-VB-153	RAM-VB-153-SW1	24
TACOMA		2005-NEWER	RAM-VB-138	RAM-VB-138-SW1	20
TUNDRA		2007-NEWER	RAM-VB-137ST1	RAM-VB-137ST1-SW1	19
TUNDRA		2000-2006	RAM-VB-133	RAM-VB-133-SW1	18

VOLKSWAGEN					
-------------------	--	--	--	--	--

BEETLE		1998-NEWER	RAM-VB-174	RAM-VB-174-SW1	30
JETTA		2000-2004	RAM-VB-174	RAM-VB-174-SW1	30

RAM Vehicle Laptop Mount Bases & Systems

COMPLETE SYSTEM RAM-VB-101-SW1



VEHICLE BASE RAM-VB-101



COMPLETE SYSTEM RAM-VBD-101-SW1



VEHICLE BASE RAM-VBD-101



Vehicles

CHEVROLET S-10 4X4 ONLY (1995-2004)
CHEVROLET S-10 BLAZER (1995-2001)
GMC JIMMY (1995-2001)
GMC SONOMA (1995-2004)

Placement of Mount

Passenger side floor board, in front of seat

Drilling Requirements

No - attaches to seat studs

Seat Configuration

Bucket

Dimensions

A = 16", B = 8.75", C = 3.75", D = 7.75"
Hole Center = 13.13"

Vehicles

CHEVROLET SILVERADO (1999-2006)
CHEVROLET SUBURBAN (2000-2006)
CHEVROLET TAHOE (2000-2006)
DODGE DURANGO (2004-NEWER)
FORD EXCURSION (2000-2005)
FORD F-150 (1997-NEWER)
FORD F-250 LIGHT DUTY (1997-2004)
FORD F-250, F-350, F-450, F-550, F-750 SUPER DUTY TRUCKS (1999-NEWER)
FORD RANGER (1993-NEWER)

Placement of Mount

Passenger side floor

Drilling Requirements

Yes

Seat Configuration

Bucket/Bench

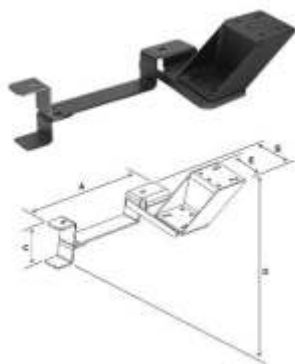
Dimensions

A = 20.25", B = 5.25", C = 5.5", D = 4"
Hole Center = 6.63"

COMPLETE SYSTEM RAM-VB-102-SW1



VEHICLE BASE RAM-VB-102



COMPLETE SYSTEM RAM-VB-103-SW1



VEHICLE BASE RAM-VB-103



Vehicles

CHEVROLET 2500 C/K (2000-2006)
CHEVROLET 3500 C/K (2000-2006)
CHEVROLET SILVERADO (1999-2006)
CHEVROLET SUBURBAN (2000-2006)

CHEVROLET TAHOE (2000-2006)
GMC SIERRA TRUCK (2000-2006)
GMC YUKON (2000-2006)

Placement of Mount

Passenger side floor board, in front of seat

Drilling Requirements

No - attaches to seat studs

Seat Configuration

Bucket

Dimensions

A = 16", B = 8", C = 4.69", D = 6.75", E = 4"
Hole Center = 11.75"

Note

For Chevrolet Silverado with Power Seats:
Please see RAM-VB-131A

Vehicles

CHEVROLET 1500 C/K - 2WD (1994-1999)
CHEVROLET 1500 C/K - 4WD-SELECTOR ON DASH ONLY (1994-1999)
CHEVROLET 2500 C/K (1994-1999)
CHEVROLET 3500 C/K (1994-1999)
CHEVROLET BLAZER K-5 (1993-OLDER)

CHEVROLET SILVERADO (1998-OLDER)
CHEVROLET SUBURBAN (1994-1999)
CHEVROLET TAHOE (1994-1999)
GMC SIERRA (1994-1999)
GMC YUKON 4 DOOR ONLY (1994-1999)

Placement of Mount

Across transmission hump

Drilling Requirements

No - uses existing seat bolts

Seat Configuration

Bucket/Bench

Dimensions

A = 14.5", B = 3.75", C = 5.5", D = 9.5"
E = 6.25" Hole Center = 23.13"

Note

This base may not work with the factory installed center console or with Four Wheel Drive Levers that are on the floor.

Drilling may be needed for vehicles with a bench seat.

Note that the measurement "D" is 9 1/2". Check your vehicle dimensions prior to purchasing this base. Some models have factory installed accessories that prevent installation.

Installs in minutes with no drilling required. Over the hump design allows for excellent mount placement.

For the 1998 Chevrolet Silverado, drilling may be required if vehicle has a bench seat. The base may not work with factory installed consoles or 4WD levers on the floor.

RAM Vehicle Laptop Mount Bases & Systems

COMPLETE SYSTEM
RAM-VB-104-SW1



VEHICLE BASE
RAM-VB-104



Vehicles

DODGE RAM 1500 (2002-2008)
DODGE RAM 2500/3500/4500/5500 (2003-2008)

Placement of Mount

Passenger side floor, in front of seat

Drilling Requirements

No - uses existing seat bolts

Seat Configuration

Bucket/Bench

Dimensions

A = 16", B = 5", C = 5.5"
Hole Center = 13"

Note

One Offset Universal Mount step is already included with this vehicle base. Step feature allows minimized amount of intrusion of passenger leg space.

COMPLETE SYSTEM
RAM-VB-105-SW1



VEHICLE BASE
RAM-VB-105



Vehicles

DODGE DAKOTA (1997-NEWER)
DODGE DURANGO (1997-2003)

Placement of Mount

Passenger side on the floor, under seat

Drilling Requirements

No - attaches to passenger seat

Seat Configuration

Bucket

Dimensions

A = 14.75", B = 3.8", C = 1.75"
Hole Center = 13.125"

COMPLETE SYSTEM
RAM-VB-106-SW1



VEHICLE BASE
RAM-VB-106



COMPLETE SYSTEM
RAM-VB-106R4-SW1



VEHICLE BASE
RAM-VB-106R4



Vehicles

CHEVROLET CAMARO (1993-2004)
CHEVROLET KODIAK (2006-NEWER)
FORD CROWN VICTORIA (1991-NEWER)
GMC TOPKICK 4500/5500/6500/7500/8500 (2006-NEWER)

Placement of Mount

Interceptor & Camaro: Passenger side on the floor, under the seat.
Kodiak: Driver side on the floor, under right side of seat.

Drilling Requirements

No - Passenger side on the floor, under the seat

Seat Configuration

Bucket/Bench/60-40 Split

Dimensions

A = 17.63", B = 8.25", C = 1.13", D = 4"
Hole Center = 10.625" min to 15.875" max

Vehicles

DODGE SPRINTER VAN (2003-2006)
BUICK RENDEZVOUS (2004-NEWER)

Placement of Mount

Passenger side floor, in front of seat

Drilling Requirements

No

Seat Configuration

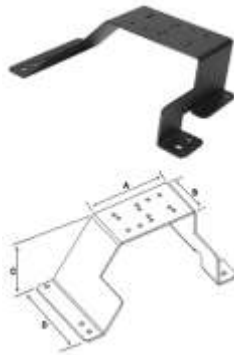
Bucket

RAM Vehicle Laptop Mount Bases & Systems

**COMPLETE SYSTEM
RAM-VB-107-SW1**



**VEHICLE BASE
RAM-VB-107**



Vehicles

CHEVROLET CAPRICE (1990-1995)
FORD CROWN VICTORIA (1991-NEWER)

Placement of Mount

Across transmission hump

Drilling Requirements

No - uses existing seat bolts

Seat Configuration

Bucket/Bench/60-40 Split

Dimensions

A = 8.75", B = 5", C = 5.75", D = 9.25"

**COMPLETE SYSTEM
RAM-VB-108-SW1**



**VEHICLE BASE
RAM-VB-108**



Vehicles

FORD EXCURSION (2000-2005) FORD F-350 SUPER DUTY
FORD EXCURSION EDDIE BAUER (2000-2005) TRUCKS (1997)
FORD F-250, F-350, F-450, F-550, F-650 & F-750
SUPER DUTY TRUCKS (1999-NEWER)

Placement of Mount

Passenger side floor board, under seat

Drilling Requirements

No - uses existing seat bolts

Seat Configuration

Bucket/Bench

Dimensions

A = 18.75", B = 5.63", C = 6.4375",
D = 13.25", Hole Center = 11.5"

Note

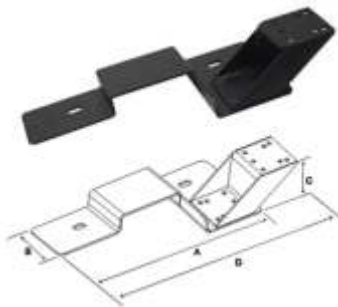
In the Ford Excursion Limited and Eddie Bauer, the heater duct prevents access to the inner seat stud. Carpeting will have to be lifted and the heat duct cut and plugged. This will prevent air travel to the passenger side right rear. Air will still flow to the rear via other ducts.

One Offset Universal Mount step is included with this vehicle base. In the Ford Excursion Limited and Eddie Bauer editions, the heater duct prevents access to left seat stud. The mount can be used by removing the carpet and plugging the heater duct. If this is unacceptable, the RAM-VBD-101 can be used as an alternative.

**COMPLETE SYSTEM
RAM-VB-109-SW1**



**VEHICLE BASE
RAM-VB-109**



Vehicles

FORD F-150 (2004-NEWER)
LINCOLN MARK LT (2005-NEWER)

Placement of Mount

Passenger side floor board, under seat

Drilling Requirements

No - uses existing seat bolts

Seat Configuration

Bucket/Bench

Dimensions

A = 19.25", B = 4.5", C = 4.38", D = 22.5"
Hole Center = 11.63"

Note

One Offset Universal Mount step is already included with this vehicle base. However, additional steps can be ordered to stack on.

**COMPLETE SYSTEM
RAM-VB-110-SW1**



**VEHICLE BASE
RAM-VB-110**



Vehicles

FORD EXPEDITION (1997-2008)
FORD F-150 (1997-2003)
FORD F-150 HERITAGE (2004)
FORD F-250 LIGHT DUTY (1997-2004)

Placement of Mount

Passenger side floor board, under seat

Drilling Requirements

No - uses existing seat bolts

Seat Configuration

Bucket/Bench

Dimensions

A = 15.25", B = 8", C = 2.5", D = 6.25"
E = 19.75", Hole Center = 12.75"

Note

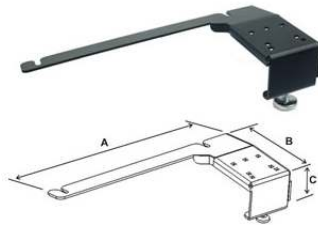
One Offset Universal Mount step is already included with this vehicle base. However, additional steps can be ordered to stack on.

RAM Vehicle Laptop Mount Bases & Systems

**COMPLETE SYSTEM
RAM-VB-111-SW1**



**VEHICLE BASE
RAM-VB-111**



Vehicles

CHEVROLET IMPALA (2000-2005)

Placement of Mount

Passenger side on the floor, between seat cushion & seat

Drilling Requirements

No - uses existing seat bolts

Seat Configuration

Bench

Dimensions

A = 19.63", B = 9", C = 3.75"
Hole Center = 15.25"

**COMPLETE SYSTEM
RAM-VB-112-SW1**



**VEHICLE BASE
RAM-VB-112**



Vehicles

FORD EXPLORER (2002-NEWER)
FORD EXPLORER SPORT TRAC (2007)
MERCURY MOUNTAINEER (2002-NEWER)

Placement of Mount

Passenger side on the floor, in front of seat

Drilling Requirements

No - uses existing seat bolts

Seat Configuration

Bucket

Dimensions

A = 13", B = 3.63", C = 8.25", D = 17"
Hole Center = 11.25"

Notet

The RAM-VB-112 will not fit in the Ford Explorer Sport 2-Door

**COMPLETE SYSTEM
RAM-VB-113-SW1**



**VEHICLE BASE
RAM-VB-113**



Vehicles

FORD RANGER (1994-NEWER)
FORD EXPLORER SPORT TRAC (2001-2006)

Placement of Mount

Passenger side floor board, on top of seat bracket

Drilling Requirements

No - uses existing seat bolts

Seat Configuration

Bucket/Bench

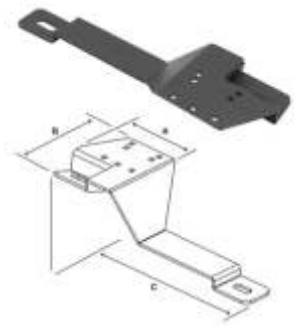
Dimensions

A = 11.75", B = 7.75", C = 2.5", D = 6.38"
E = 16.25", Hole Center = 9.25"

**COMPLETE SYSTEM
RAM-VB-114-SW1**



**VEHICLE BASE
RAM-VB-114**



Vehicles

CHEVROLET TRAILBLAZER (2002-NEWER)
GMC ENVOY (2002-NEWER)

Placement of Mount

Passenger side floor board, under seat

Drilling Requirements

No - uses existing seat bolts

Seat Configuration

Bucket

Dimensions

A = 5.5", B = 6.13", C = "18.75"
Hole Center = 14"

RAM Vehicle Laptop Mount Bases & Systems

**COMPLETE SYSTEM
RAM-VB-115-SW1**



**VEHICLE BASE
RAM-VB-115**



Vehicles

FORD TAURUS (1995-OLDER)
FORD TAURUS (1997 GL, SIX PASSENGER MODEL)
FORD TAURUS (1998-2006 LX, SE, SIX PASSENGER MODEL)
MERCURY SABLE (1998-NEWER)

Placement of Mount

Across Transmission hump

Drilling Requirements

No - uses existing seat bolts

Seat Configuration

Bucket/Bench

Dimensions

A = 11.75", B = 7.25", C = 3.4"
Hole Center = 13.5"

**COMPLETE SYSTEM
RAM-VB-116-SW1**



**VEHICLE BASE
RAM-VB-116**



Vehicles

CHEVROLET COLORADO (2004-NEWER)
GMC CANYON (2004-NEWER)

Placement of Mount

Passenger side on the floor, in front of seat

Drilling Requirements

No - uses existing seat bolts

Seat Configuration

Bucket

Dimensions

A = 14", B = 4.75", C = 5.5", D = 17"
Hole Center = 11.75"

Note

The RAM-VB-116 base will not fit crew cab vehicles where the vent duct passes under the front of the passenger seat. Some vehicle bases may limit seat travel

**COMPLETE SYSTEM
RAM-VB-117-SW1**



**VEHICLE BASE
RAM-VB-117**



Vehicles

CHEVROLET CAMARO CAR (1993-2004)
CHEVROLET CAPRICE CAR (1990-1995)
FORD CROWN VICTORIA POLICE INTERCEPTOR CAR (1991-NEWER)
LINCOLN TOWN CAR (2005-NEWER)

Placement of Mount

Passenger side on the floor, under seat

Drilling Requirements

No - uses existing seat bolts

Seat Configuration

Bucket/Bench/60-40 Split

Dimensions

A = 17.57", B = 5.5", C = 11"
Hole Center = 6.38"

**COMPLETE SYSTEM
RAM-VB-118-SW1**



**VEHICLE BASE
RAM-VB-118**



Vehicles

JEEP SE, CLASSIC, SPORT, LTD (1998-2001)

Placement of Mount

Passenger side on the floor, under seat

Drilling Requirements

No - uses existing seat bolts

Seat Configuration

Bucket

Dimensions

A = 17.57", B = 5.5", C = 11"
Hole Center = 6.38"

RAM Vehicle Laptop Mount Bases & Systems

**COMPLETE SYSTEM
RAM-VB-119-SW1**



**VEHICLE BASE
RAM-VB-119**



Vehicles
FORD ECONOLINE VAN (1995-NEWER)

Placement of Mount
Attaches to the passenger side inner front and back seat studs

Drilling Requirements
No - uses existing seat bolts

Seat Configuration
Bucket

Dimensions
A = 16.75", B = 8.25", C = 18.75"
Hole Center = 13.5"

Note
The RAM-VB-119 will not fit in Cutaways that have seat belts mounted to the floorboard

**COMPLETE SYSTEM
RAM-VB-120-SW1**



**VEHICLE BASE
RAM-VB-120**



Vehicles
FORD FREESTAR (2004-NEWER)

Placement of Mount
Passenger side inner front of seat and back seat studs

Drilling Requirements
No - uses existing seat bolts

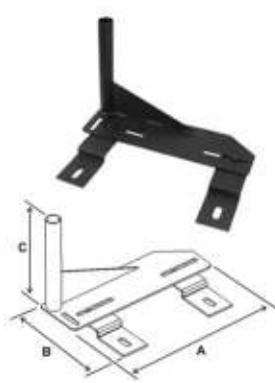
Seat Configuration
Bucket

Dimensions
A = 17.5", B = 11.68", C = 16.13"
Hole Center = 14"

**COMPLETE SYSTEM
RAM-VB-121-SW1**



**VEHICLE BASE
RAM-VB-121**



Vehicles
CHRYSLER TOWN & COUNTRY (1996-2004)
CHRYSLER VOYAGER (1996-2004)
DODGE CARAVAN (1996-2004)

Placement of Mount
Driver side, attaches to inner front and back seat studs

Drilling Requirements
No - uses existing seat bolts

Seat Configuration
Bucket

Dimensions
A = 17.8", B = 5.5", C = 11.25"

**COMPLETE SYSTEM
RAM-VBD-122-SW1**



**VEHICLE BASE
RAM-VBD-122**



Vehicles
UNIVERSAL MOUNT FOR ALL VEHICLES

Placement of Mount
Flat Surface/Floor

Drilling Requirements
Yes

Dimensions
A = 8", B = 8", C = 18.25"

RAM Vehicle Laptop Mount Bases & Systems

**COMPLETE SYSTEM
RAM-VBD-125-SW1**



**VEHICLE BASE
RAM-VBD-125**



**COMPLETE SYSTEM
RAM-VBD-126-SW1**



**VEHICLE BASE
RAM-VBD-126**



Vehicles

CHEVROLET PICK-UP 4 WD FULL-SIZE (1986-1993) GMC ACADIA (2007-NEWER)
 CHEVROLET PICK-UP FULL-SIZE (2500) (1986-1993) SATURN OUTLOOK (2007-NEWER)
 CHEVROLET S-10 (1994-OLDER)
 DODGE UTILITY VAN (1995-NEWER)

Placement of Mount
 Flat Surface/Floor

Drilling Requirements
 Yes

Dimensions
 A = 8", B = 8", C = 14.125"

Vehicles

FORD BRONCO (1996-OLDER)
 FORD EXPEDITION (1996-OLDER)
 FORD F-150 (1996-OLDER)
 FORD F-250 (1996-OLDER)

Placement of Mount
 Transmission Hump

Drilling Requirements
 Yes

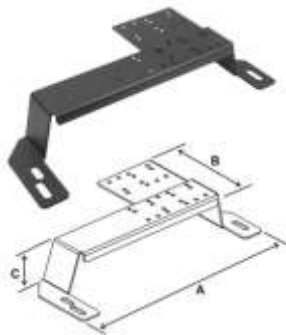
Seat Configuration
 Bucket/Bench

Dimensions
 A = 5", B = 8.75", C = 4", D = 9"

**COMPLETE SYSTEM
RAM-VB-127-SW1**



**VEHICLE BASE
RAM-VB-127**



**COMPLETE SYSTEM
RAM-VBD-128-SW1**



**VEHICLE BASE
RAM-VBD-128**



Vehicles

DODGE RAM 1500 (1994-2001)
 DODGE RAM 2500/3500 (1994-2002)

Placement of Mount
 Across Transmission Hump

Drilling Requirements
 No - uses existing seat studs

Seat Configuration
 Bucket/Bench

Dimensions
 A = 26.31", B = 10.2", C = 4.5"
 Hole Center = 23.75" and 24.25"

Note
 Drilling may be required for vehicles with a bench seat

Vehicles

UNIVERSAL MOUNT FOR ALL VEHICLES

Placement of Mount
 Flat, Vertical Surface

Drilling Requirements
 Yes

Seat Configuration
 All

Dimensions
 A = 8", B = 8", C = 13"

Note
 Height can be adjusted to 5", dependent on the upper tube size

RAM Vehicle Laptop Mount Bases & Systems

**COMPLETE SYSTEM
RAM-VB-129-SW1**



**VEHICLE BASE
RAM-VB-129**



Vehicles

DODGE SPRINTER VAN (2007-NEWER)
DODGE MAGNUM NOT POLICE VERSION (2005)
DODGE CHARGER NOT POLICE VERSION (2005)

Placement of Mount

Passenger side on the floor, in front of seat

Drilling Requirements

No - uses existing seat bolts

Seat Configuration

Bucket

Dimensions

A = 19.375", B = 7.125"
Hole Center = 16.5"

Note

For Dodge Magnum & Charger (Police Vehicles) please see RAM-VB-145P

For other Dodge Magnum & Charger (Not Police Vehicles), years 2005-Newer please see RAM-VB-145

**COMPLETE SYSTEM
RAM-VB-130-SW1**



**VEHICLE BASE
RAM-VB-130**



Vehicles

DODGE DURANGO (2004 & NEWER)
CHRYSLER ASPEN (2007 & NEWER)

Placement of Mount

Passenger side on the floor, in front of seat

Drilling Requirements

No - uses existing seat bolts

Seat Configuration

Bucket

Dimensions

A = 18.75", B = 4.375", C = 3"

**COMPLETE SYSTEM
RAM-VB-131A-SW1**



**VEHICLE BASE
RAM-VB-131A**



Vehicles

GMC SIERRA (DELUXE POWER SEATS) (2000-2006)
GMC YUKON (DELUXE POWER SEATS) (2000-2006)
CHEVROLET SILVERADO (DELUXE POWER SEATS) (1999-2006)
CHEVROLET SUBURBAN (DELUXE POWER SEATS) (2000-2006)

Placement of Mount

Passenger side floor board, in front of seat

Drilling Requirements

No - attaches to seat studs

Seat Configuration

Bucket

Dimensions

Hole Center = 15"

CHEVROLET 2500 & 3500 C/K SERIES TRUCK (DELUXE POWER SEATS) (2000-2006)
CHEVROLET AVALANCHE (2000-2006)

**COMPLETE SYSTEM
RAM-VB-131R4-SW1**



**VEHICLE BASE
RAM-VB-131R4**



Vehicles

GMC SIERRA (DELUXE POWER SEATS) (2000-2006)
GMC YUKON (DELUXE POWER SEATS) (2000-2006)
CHEVY SILVERADO (DELUXE POWER SEATS) (1999-2006)
CHEVY SUBURBAN (DELUXE POWER SEATS) (2000-2006)
CHEVY 2500 & 3500 C/K SERIES TRUCK (DELUXE POWER SEATS) (2000-2006)

Placement of Mount

Passenger side floor board, in front of seat

Drilling Requirements

No - attaches to seat studs

Seat Configuration

Bucket

Dimensions

Hole Center = 15"

CHEVY TAHOE (DELUXE POWER SEATS) (2000-2006)
CHEVY AVALANCHE (2000-2006)
CADILLAC ESCALADE (2000-2006)

RAM Vehicle Laptop Mount Bases & Systems

**COMPLETE SYSTEM
RAM-VB-132-SW1**



**VEHICLE BASE
RAM-VB-132**



**COMPLETE SYSTEM
RAM-VB-133-SW1**



**VEHICLE BASE
RAM-VB-133**



Vehicles

HONDA RIDGELINE (2006-NEWER)

Vehicles

TOYOTA HILUX (2004)
TOYOTA SEQUOIA (2001-NEWER)
TOYOTA TUNDRA (2000-2006)*

Placement of Mount

Passenger side floor board, in front of seat

Placement of Mount

Passenger side floor board, in front of seat

Drilling Requirements

No - attaches to seat studs

Drilling Requirements

No - attaches to seat studs

***Note**

Bench Seats: the second mounting hole will have to be exposed by cutting a small opening in the carpet or vinyl On bench seat models

Seat Configuration

Bucket

Seat Configuration

Bucket/Bench*

Dimensions

A = 18.5", B = 10", C = 2.375"
Hole Center = 16.875"

Dimensions

A = 19.875", B = 7.125", C = 2.5"
Hole Center = 18"

**COMPLETE SYSTEM
RAM-VB-134-SW1**



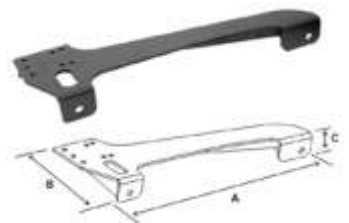
**VEHICLE BASE
RAM-VB-134**



**COMPLETE SYSTEM
RAM-VB-135-SW1**



**VEHICLE BASE
RAM-VB-135**



Vehicles

NISSAN TITAN (2004-NEWER)
NISSAN ARMADA (2004-NEWER)
INFINITI QX56 (2004-NEWER)

Vehicles

HONDA CR-V (2005-NEWER)

Placement of Mount

Passenger side on the floor, under front seat

Placement of Mount

Passenger side floor board, in front of seat

Drilling Requirements

No - attaches to seat studs

Drilling Requirements

No - attaches to seat studs

Seat Configuration

Bucket

Seat Configuration

Bucket

Dimensions

A = 18.75", B = 8.625", C = 2"
Hole Center = 17.55"

Dimensions

A = 18.5", B = 7.5", C = 1.875"
Hole Center = 15.875"

RAM Vehicle Laptop Mount Bases & Systems

**COMPLETE SYSTEM
RAM-VB-135MH1-SW1**



**VEHICLE BASE
RAM-VB-135MH1**



Vehicles
HONDA ELEMENT (2004-NEWER)

Placement of Mount
Passenger side floor board, in front of seat

Drilling Requirements
No - attaches to seat studs

Seat Configuration
Bucket

Dimensions
A = 18.5", B = 7.5", C = 1.875"
Hole Center = 15.875"

**COMPLETE SYSTEM
RAM-VB-136-SW1**



**VEHICLE BASE
RAM-VB-136**



Vehicles
CHEVROLET ASTRO VAN (2000-NEWER)

Placement of Mount
Attaches between seat frame and floor board. Uses front and rear, inside seat studs

Drilling Requirements
No - attaches to seat studs

Seat Configuration
Bucket

Dimensions
A = 14.57", B = 7.25", C = 17.75"
Hole Center = 12.625"

**COMPLETE SYSTEM
RAM-VB-137-SW1**



**VEHICLE BASE
RAM-VB-137**



Vehicles
TOYOTA CAMRY (2006-NEWER)
TOYOTA COROLLA (2003-2008)
TOYOTA MATRIX (2003-2008)
PONTIAC VIBE (2003-NEWER)

Placement of Mount
Passenger side on the floor, under front seat

Drilling Requirements
No - uses existing seat bolts

Seat Configuration
Bucket

Dimensions
A = 18.125", B = 9.375", C = 1.375"
Hole Center = 17"

**COMPLETE SYSTEM
RAM-VB-137ST1-SW1**



**VEHICLE BASE
RAM-VB-137ST1**



Vehicles
TOYOTA TUNDRA (2007-NEWER)

Placement of Mount
Passenger side on the floor, under front seat

Drilling Requirements
No - uses existing seat bolts

Seat Configuration
Bucket

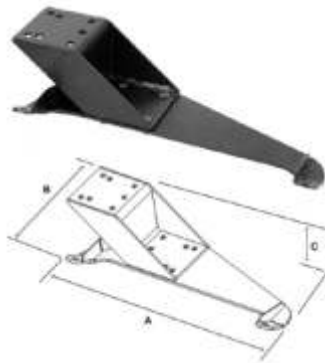
Dimensions
A = 18.125", B = 9.375", C = 5.375"
Hole Center = 17"

RAM Vehicle Laptop Mount Bases & Systems

COMPLETE SYSTEM
RAM-VB-138-SW1



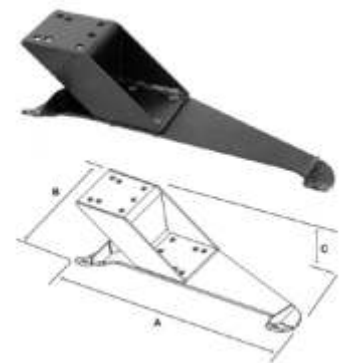
VEHICLE BASE
RAM-VB-138



COMPLETE SYSTEM
RAM-VB-138ST1-SW1



VEHICLE BASE
RAM-VB-138ST1



Vehicles

TOYOTA TACOMA (2005-NEWER)
TOYOTA 4RUNNER (2003-NEWER)

Vehicles

TOYOTA FJ CRUISER (2006-NEWER)

Placement of Mount

Passenger side on the floor, under front seat

Placement of Mount

Passenger side on the floor, under front seat

Drilling Requirements

No - uses existing seat bolts

Drilling Requirements

No - uses existing seat bolts

Seat Configuration

Bucket

Seat Configuration

Bucket

Dimensions

A = 17.125", B = 6.5", C = 5"
Hole Center = 15.875"

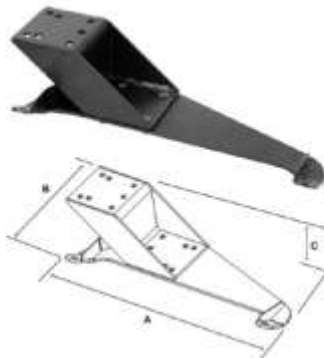
Dimensions

A = 17.125", B = 6.5", C = 5"
Hole Center = 15.875"

COMPLETE SYSTEM
RAM-VB-138ST2-SW1



VEHICLE BASE
RAM-VB-138ST2



COMPLETE SYSTEM
RAM-VB-139-SW1



VEHICLE BASE
RAM-VB-139



Vehicles

TOYOTA HIGHLANDER (2008-NEWER)

Vehicles

HONDA ACCORD (2004-2007)

Placement of Mount

Passenger side on the floor, under front seat

Placement of Mount

Passenger side, front, where seat rail frame attaches to floor board

Drilling Requirements

No - uses existing seat bolts

Drilling Requirements

No - attaches to seat studs

Seat Configuration

Bucket

Seat Configuration

Bucket

Dimensions

A = 17.125", B = 6.5", C = 5"
Hole Center = 15.875"

Dimensions

A = 16.875", B = 8.125", C = 1.625"
Hole Center = 14.75"

RAM Vehicle Laptop Mount Bases & Systems

**COMPLETE SYSTEM
RAM-VB-140-SW1**



**VEHICLE BASE
RAM-VB-140**



Vehicles

SEMI TRUCKS WITH NATIONAL SEATING CAPTAIN'S CHAIR (2006-NEWER)

Placement of Mount

Attaches to upper section, left hand side of passenger seat. Base is designed to match contours and align with existing hole patterns for ease of installation

Drilling Requirements

No - uses existing seat bolts

Seat Configuration

Bucket

Dimensions

A = 14.473", B = 9.875", C = 11.5"
Innermost Hole Center = 7"

**COMPLETE SYSTEM
RAM-VB-141-SW1**



**VEHICLE BASE
RAM-VB-141**



Vehicles

DODGE NITRO (2007-2008)
JEEP LIBERTY (2001-2005)

Placement of Mount

Passenger side where seat rails meet floor board

Drilling Requirements

No - attaches to seat studs

Seat Configuration

Bucket

Dimensions

A = 16.875", B = 8.125", C = 1.625"
Hole Centers = 14.75"

**COMPLETE SYSTEM
RAM-VB-142-SW1**



**VEHICLE BASE
RAM-VB-142**



Vehicles

JEEP GRAND CHEROKEE (2005-NEWER)
JEEP COMMANDER (2006-NEWER)

Placement of Mount

Passenger side, front, where seat rail frame attaches to floor board

Drilling Requirements

No - attaches to seat studs

Seat Configuration

Bucket

Dimensions

A = 18.5", B = 5.625", C = 3.25"
Hole Centers = 16.562"

**COMPLETE SYSTEM
RAM-VB-143-SW1**



**VEHICLE BASE
RAM-VB-143**



Vehicles

GMC SAVANA VAN (2001-NEWER)
CHEVROLET EXPRESS VAN (2001-NEWER)

Placement of Mount

Attaches between seat frame and floor board. Uses front and rear, inside seat studs

Drilling Requirements

No - attaches to seat studs

Seat Configuration

Bucket

Dimensions

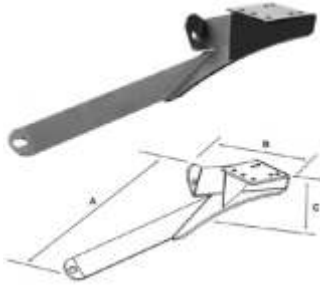
A = 13.75", B = 7.625", C = 17.625"
Hole Centers = 11.687"

RAM Vehicle Laptop Mount Bases & Systems

**COMPLETE SYSTEM
RAM-VB-144-SW1**



**VEHICLE BASE
RAM-VB-144**



Vehicles

KIA SORENTO (2005-NEWER)

Placement of Mount

Passenger side on the floor, in front of seat

Drilling Requirements

No - attaches to seat studs

Seat Configuration

Bucket

Dimensions

A = 18.25", B = 9.75", C = 7.5"
Hole Centers = 16"

**COMPLETE SYSTEM
RAM-VB-145-SW1**



**VEHICLE BASE
RAM-VB-145**



Vehicles

CHRYSLER 300 (2005-NEWER)
DODGE CHARGER (NOT POLICE CAR) (2005-NEWER)
DODGE MAGNUM (NOT POLICE CAR) (2005-NEWER)

Placement of Mount

Passenger side, front, where seat rail frame attaches to floor board

Drilling Requirements

No - attaches to seat studs

Seat Configuration

Bucket

Dimensions

A = 18.75", B = 4.25", C = 6.875"
Hole Centers = 16.5"

**COMPLETE SYSTEM
RAM-VB-145P-SW1**



**VEHICLE BASE
RAM-VB-145P**



Vehicles

DODGE MAGNUM POLICE VERSION (2005 & NEWER)
DODGE CHARGER POLICE VERSION (2005 & NEWER)

Placement of Mount

Passenger side, front, where seat rail frame attaches to floor board

Drilling Requirements

No - attaches to seat studs

Seat Configuration

Bucket

Dimensions

A = 18.75", B = 4.25", C = 2.875"
Hole Centers = 16.5"

Note

For Dodge Magnum & Charger (Non-Police Vehicles) please see RAM-VB-129

**COMPLETE SYSTEM
RAM-VB-D-145-1-SW1**



**VEHICLE BASE
RAM-VB-D-145-1**



Vehicles

DODGE CHARGER POLICE VERSION (2006-NEWER)

Placement of Mount

Center Console

Drilling Requirements

No

Dimensions

4.75" Square Plate

RAM Vehicle Laptop Mount Bases & Systems

**COMPLETE SYSTEM
RAM-VB-146-SW1**



**VEHICLE BASE
RAM-VB-146**



Vehicles

DODGE GRAND CARAVAN (2005-2007)
CHEVROLET UPLANDER (2005-NEWER)
SATURN RELAY (2005-NEWER)
PONTIAC MONTANA SV6 (2005-NEWER)

Placement of Mount

Passenger side floor board, in front of seat

Note

The RAM-VB-146 base will not fit the Dodge Caravan with Power Seats

Drilling Requirements

No - attaches to seat studs

Seat Configuration

Bucket

Dimensions

A = 17.625", B = 13", C = 5.25", D = 3.5"
Hole Centers = 10.625" min to 15.875" max

**COMPLETE SYSTEM
RAM-VB-147-SW1**



**VEHICLE BASE
RAM-VB-147**



Vehicles

DODGE STRATUS (2005-NEWER)

Placement of Mount

Passenger side on the floor, under front seat

Drilling Requirements

No - attaches to seat studs

Seat Configuration

Bucket

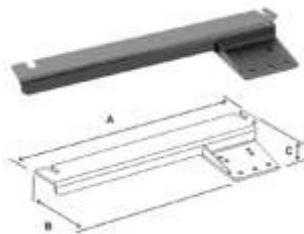
Dimensions

A = 16.812", B = 8.875", C = 2"
Hole Centers = 13.75"

**COMPLETE SYSTEM
RAM-VB-148-SW1**



**VEHICLE BASE
RAM-VB-148**



Vehicles

FORD FOCUS (2003-NEWER)

Placement of Mount

Passenger side on the floor, in front of seat

Drilling Requirements

No - attaches to seat studs

Seat Configuration

Bucket

Dimensions

A = 19.687", B = 7.25", C = 1"
Hole Centers = 17.75"

**COMPLETE SYSTEM
RAM-VB-149-SW1**



**VEHICLE BASE
RAM-VB-149**



Vehicles

TOYOTA HIGHLANDER (2005-2007)
TOYOTA RAV4 (2006-NEWER)

Placement of Mount

Passenger side floor board, in front of seat

Drilling Requirements

No - uses existing seat bolts

Seat Configuration

Bucket

Dimensions

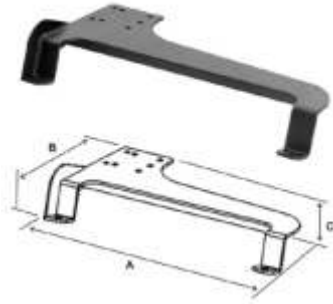
A = 19", B = 9.25", C = 1.5"
Hole Centers = 17"

RAM Vehicle Laptop Mount Bases & Systems

**COMPLETE SYSTEM
RAM-VB-150-SW1**



**VEHICLE BASE
RAM-VB-150**



**COMPLETE SYSTEM
RAM-VB-151-SW1**



**VEHICLE BASE
RAM-VB-151**



Vehicles
SCION XB (2005-2007)

Vehicles
SEMI TRUCKS WITH SEATS INC. CHAIR (2005-NEWER)

Placement of Mount
Passenger side floor board, in front of seat

Placement of Mount
Attaches to upper section, left hand side of passenger seat. Base is designed to match contours and align with existing hole patterns for ease of installation

Drilling Requirements
No - uses existing seat bolts

Drilling Requirements
No - uses existing seat bolts

Seat Configuration
Bucket

Seat Configuration
Bucket

Dimensions
A = 18.125", B = 9.625",
C = 2.25", Hole Centers = 16.625"

Dimensions
A = 16.375", B = 8.5", C = 12.75"
Hole Center = 6.75" and 8.25"

**COMPLETE SYSTEM
RAM-VB-152-SW1**



**VEHICLE BASE
RAM-VB-152**



**COMPLETE SYSTEM
RAM-VB-153-SW1**



**VEHICLE BASE
RAM-VB-153**



Vehicles
FORD ESCAPE (2001-NEWER)
MAZDA TRIBUTE (2005-NEWER)
MERCURY MARINER (2005-NEWER)

Vehicles
TOYOTA SIENNA (2005-NEWER)

Placement of Mount
Passenger side on the floor, under front seat

Placement of Mount
Passenger side on the floor, under front seat

Drilling Requirements
No - uses existing seat bolts

Drilling Requirements
No - uses existing seat bolts

Seat Configuration
Bucket

Seat Configuration
Bucket

Dimensions
A = 17.625", B = 8.32", C = 2.5"
Hole Center = 15.625"

Dimensions
A = 18.32", B = 7.125", C = 2.625"
Hole Center = 17"

RAM Vehicle Laptop Mount Bases & Systems

COMPLETE SYSTEM RAM-VB-154-SW1



VEHICLE BASE RAM-VB-154



Vehicles

NISSAN PATHFINDER (2005-NEWER)
NISSAN XTERRA 4X4 ONLY (2005-2006)
NISSAN FRONTIER 4X4 ONLY (2005-NEWER)

Placement of Mount

Passenger side, front, where seat rail
Frame attaches to floor board

Note

The RAM-VB-154 base will not fit the
2wd Nissan Frontier.

Drilling Requirements

No - attaches to seat studs

Seat Configuration

Bucket

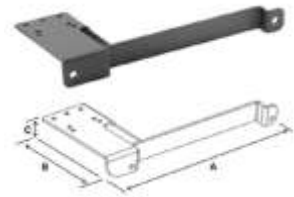
Dimensions

A = 20.25", B = 7.25", C = 3.5"
Hole Center = 17.25"

COMPLETE SYSTEM RAM-VB-155-SW1



VEHICLE BASE RAM-VB-155



Vehicles

HONDA CIVIC (2006-NEWER)

Placement of Mount

Passenger side on the floor, under front seat

Drilling Requirements

No - attaches to seat studs

Seat Configuration

Bucket

Dimensions

A = 17.25", B = 8.94", C = 1.75"
Hole Center = 15.75"

COMPLETE SYSTEM RAM-VB-156-SW1



VEHICLE BASE RAM-VB-156



Vehicles

HYUNDAI AZERA (2006-NEWER)
HYUNDAI ELANTRA (2005-NEWER)
HYUNDAI SONATA (2005-NEWER)
KIA OPTIMA (2005-NEWER)

Placement of Mount

Passenger side, front, where seat rail frame attaches to floor board

Drilling Requirements

No - attaches to seat studs

Seat Configuration

Bucket

Dimensions

A = 19.875", B = 7.25", C = 2.125"
Hole Center = 17" and 18.25"

COMPLETE SYSTEM RAM-VB-157-SW1



VEHICLE BASE RAM-VB-157



Vehicles

CHEVROLET MALIBU (2005-NEWER)

Placement of Mount

Passenger side floor board, in front
of seat

Note

The RAM-VB-157 base will not fit the
Chevrolet Malibu "Classic Car"

Drilling Requirements

No - uses existing seat bolts

Seat Configuration

Bucket

Dimensions

A = 18.625", B = 13"
Hole Center = 17.625"

RAM Vehicle Laptop Mount Bases & Systems

COMPLETE SYSTEM
RAM-VB-158-SW1



VEHICLE BASE
RAM-VB-158



Vehicles
JEEP WRANGLER (1997-2006)

Placement of Mount
Passenger side, front, where seat rail frame attaches to floor board

Drilling Requirements
No - attaches to seat studs

Seat Configuration
Bucket

Dimensions
A = 11.875", B = 8.25", C = 14.375"
Hole Center = 10.625"

COMPLETE SYSTEM
RAM-VB-159-SW1



VEHICLE BASE
RAM-VB-159



Vehicles
CHEVROLET AVALANCHE (2007-NEWER)
CHEVROLET SILVERADO (2007-NEWER)
CHEVROLET SUBURBAN (2007-NEWER)
CHEVROLET SUBURBAN (DELUXE POWER SEATS) (2007-NEWER)
CHEVROLET TAHOE (2007-NEWER)
CHEVROLET UPLANDER (2005-NEWER)
GMC YUKON (2007-NEWER)
HUMMER H2 (2003-NEWER)

Placement of Mount
Passenger side floor board, in front of seat

Drilling Requirements
No - attaches to seat studs

Seat Configuration
Bucket

Dimensions
Hole Center = 15"

Note
Compatible with the 2008 Chevrolet Silverado that contain bucket electric seats

COMPLETE SYSTEM
RAM-VB-160-SW1



VEHICLE BASE
RAM-VB-160



Vehicles
CHEVROLET IMPALA (2006-NEWER)

Placement of Mount
Between the seat cushion and seat frame on passenger side

Drilling Requirements
No - attaches to seat studs

Seat Configuration
Bucket

Dimensions
A = 14.75", B = 8.75"
Hole Centers = 11.25"

Note
The RAM-VB-160 base will not work with any vehicles that have powered seats.

IMPORTANT! Use caution when laying the seat back as there is a wire harness and connector that goes from the floor board to the seat cushion bottom. Take care so as not to stretch or damage this connection.

COMPLETE SYSTEM
RAM-VB-161-SW1



VEHICLE BASE
RAM-VB-161



Vehicles
FORD FREESTYLE (2005-NEWER)
FORD FIVE HUNDRED (2005-2007)
FORD TAURUS (2008-NEWER)
MERCURY MONTEGO (2005-NEWER)

Placement of Mount
Passenger side between the seat frame leg and floor board

Drilling Requirements
No - attaches to seat studs

Seat Configuration
Bucket

Dimensions
A = 18.375", B = 2.75", C = 1.5"
Hole Centers = 16.5"

RAM Vehicle Laptop Mount Bases & Systems

**COMPLETE SYSTEM
RAM-VB-162-SW1**



**VEHICLE BASE
RAM-VB-162**



Vehicles
CHRYSLER PT CRUISER (2001-NEWER)

Placement of Mount
Passenger side on the floor, under seat

Drilling Requirements
No - attaches to seat studs

Seat Configuration
Bucket

Dimensions
A = 14.25", B = 18.125", C = 2.187"
D (Hole Center) = 13.75"

Note
The telescoping pedestal in this system stops the glove compartment door just short of completely opening. It is still possible to easily reach in to the compartment. Total access is not prevented.

**COMPLETE SYSTEM
RAM-VB-163-SW1**



**VEHICLE BASE
RAM-VB-163**



Vehicles
ACURA MDX (2001-2006)
HONDA PILOT (2005-NEWER)

Placement of Mount
Passenger side on the floor, under seat

Drilling Requirements
No - attaches to seat studs

Seat Configuration
Bucket

Dimensions
A = 18", B = 11", C = 1.75"
Hole Center = 16.875"

**COMPLETE SYSTEM
RAM-VB-164-SW1**



**VEHICLE BASE
RAM-VB-164**



Vehicles
SEARS SEATING ATLAS SERIES SEATS (2005-NEWER)

Placement of Mount
Attaches to upper section, left hand side of passenger seat. Base is designed to match contours and align with existing hole patterns for ease of installation

Drilling Requirements
No - attaches to seat studs

Seat Configuration
Bucket

Dimensions
A = 18.25", B = 7.50", C = 11"
Hole Center = 13.75"

**COMPLETE SYSTEM
RAM-VB-165-SW1**



**VEHICLE BASE
RAM-VB-165**



Vehicles
HUMMER H3 (2006-NEWER)

Placement of Mount
Passenger side on the floor, under seat

Drilling Requirements
No - attaches to seat studs

Seat Configuration
Bucket

Dimensions
A = 16.125", B = 6.875", C = 3.25"
Hole Center = 11.8125"

RAM Vehicle Laptop Mount Bases & Systems

COMPLETE SYSTEM RAM-VB-166-SW1



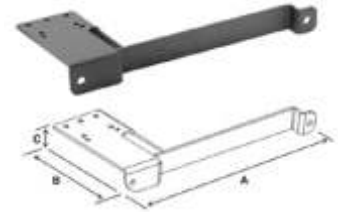
VEHICLE BASE RAM-VB-166



COMPLETE SYSTEM RAM-VB-167-SW1



VEHICLE BASE RAM-VB-167



Vehicles

FORD EXPEDITION EL (LONG CAB VERSION) (2004-2006)
LINCOLN NAVIGATOR (2006-NEWER)

Vehicles

FORD FUSION (2006-NEWER)
LINCOLN MKZ (2007-NEWER)
MERCURY MILAN (2006-NEWER)

Placement of Mount

Passenger side on the floor, under seat

Placement of Mount

Passenger side on the floor, under front seat

Drilling Requirements

No - attaches to seat studs

Drilling Requirements

No - attaches to seat studs

Seat Configuration

Bucket

Seat Configuration

Bucket

Dimensions

A = 16", B = 6.812", C = 2.437"
Hole Center = 13.187"

Dimensions

A = 17.44", B = 9", C = 2.12"
Hole Center = 16.44"

COMPLETE SYSTEM RAM-VB-168-SW1



VEHICLE BASE RAM-VB-168



COMPLETE SYSTEM RAM-VB-169-SW1



VEHICLE BASE RAM-VB-169



Vehicles

FREIGHTLINER TRUCKS
INTERNATIONAL TRUCKS
KENWORTH TRUCKS
PETERBILT TRUCKS
VOLVO TRUCKS

Vehicles

SUBARU FORESTER (2006-NEWER)
SUBARU IMPREZA (2006-NEWER)
SUBARU LEGACY (2006-NEWER)
SUBARU LEGACY/OUTBACK (2006-NEWER)

Placement of Mount

Passenger side on the floor, under front seat

Note

If the heater box is under the seat, the installer may need to drill holes in the base to accommodate vehicle mounting holes or studs. Also, the heater box may cause the system to sit higher than normal. Pole may be cut down by installer to lower kit. This will not void the warranty.

Placement of Mount

Passenger side on the floor, under front seat

Drilling Requirements

No - attaches to seat studs

Drilling Requirements

No - uses existing seat bolts

Seat Configuration

Bucket/Bench

Seat Configuration

Bucket

Dimensions

A = 19.56", B = 14.37", C = 1.18"

Dimensions

A = 17.47", B = 5.82", C = 5.11"
Hole Center = 15.875"

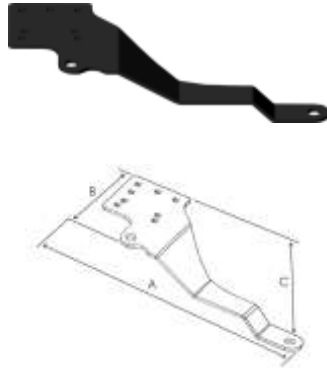
May not work with swivel style seats for big rigs

RAM Vehicle Laptop Mount Bases & Systems

COMPLETE SYSTEM
RAM-VB-170-SW1



VEHICLE BASE
RAM-VB-170



Vehicles

JEEP WRANGLER 2 DR (2007-NEWER)
JEEP WRANGLER 4 DR (2007-NEWER)
JEEP WRANGLER SAHARA 2 DR (2007-NEWER)
JEEP WRANGLER SAHARA 4 DR (2007-NEWER)

Placement of Mount

Passenger side on the floor, under front seat

Drilling Requirements

No - uses existing seat bolts

Seat Configuration

Bucket

Dimensions

A = 15.25", B = 6.43", C = 2.84"
Hole Center = 11.50"

COMPLETE SYSTEM
RAM-VB-171-SW1



VEHICLE BASE
RAM-VB-171



Vehicles

TOYOTA PRIUS (2007-NEWER)

Placement of Mount

Passenger side on the floor, under front seat

Drilling Requirements

No - uses existing seat bolts

Seat Configuration

Bucket

Dimensions

A = 18", B = 7", C = 2.85"
Hole Center = 15.44"

COMPLETE SYSTEM
RAM-VB-172-SW1



VEHICLE BASE
RAM-VB-172



Vehicles

FORD EDGE (2007-NEWER)

Placement of Mount

Passenger side on the floor, under front seat

Drilling Requirements

No - uses existing seat bolts

Seat Configuration

Bucket

Dimensions

A = 18.23", B = 7", C = 1.95"
Hole Center = 16.31"

COMPLETE SYSTEM
RAM-VB-173-SW1



VEHICLE BASE
RAM-VB-173



Vehicles

SCION XB (2008-NEWER)

Placement of Mount

Passenger side on the floor, under front seat

Drilling Requirements

No - uses existing seat bolts

Seat Configuration

Bucket

Dimensions

A = 18.125", B = 9.375", C = 1.375"
Hole Center = 14.312"

RAM Vehicle Laptop Mount Bases & Systems

COMPLETE SYSTEM RAM-VB-174-SW1



VEHICLE BASE RAM-VB-174



Vehicles

VOLKSWAGEN BEETLE (1998-NEWER)
VOLKSWAGEN JETTA (2000-2004)

Placement of Mount

Lower Front of Passenger Side Seat

Drilling Requirements

No - uses existing seat bolts

Seat Configuration

Bucket

Dimensions

A = 10.65", B = 6.74", C = 12"

COMPLETE SYSTEM RAM-VB-175-SW1



VEHICLE BASE RAM-VB-175



Vehicles

DODGE GRAND CARAVAN (2008-NEWER)
CHRYSLER TOWN & COUNTRY (2008-NEWER)

Placement of Mount

Passenger side, front, where seat rail frame attaches to floor board

Drilling Requirements

No - attaches to seat studs

Seat Configuration

Bucket

Dimensions

A = 19.875", B = 7.25", C = 2.125"
Hole Center = 17" and 18.25"

COMPLETE SYSTEM RAM POD III (RAM-316-3BA1U)



Vehicles

UNIVERSAL ALL VEHICLES

Placement of Mount

At right angles to the base of two legs are feet with mounting holes. Simply place the holes into the passenger seat mounting bolts and adjust the mount to the required height with the flexible legs. The third flexible leg on the RAM Pod III should also be adjusted to help support the mount. The rigid flexible arms will hold everything you need safely and securely.

Drilling Requirements

No - attaches to seat studs

RAM POD III Leg Lengths

Length of Leg 1: 18"
Length of Leg 2: 20"
Length of Leg 3: 30"

RAM.®

POWERED DOCKS
& LAPTOP TRAYS



RAM Tough Dock™

RAM Tough Dock™ Powered Docking Station With Port Replication for the Panasonic Toughbook® CF-28, CF-29 & CF-30 Rugged Laptops

Why make one style dock when our customers demand cost effective choices? The RAM Tough Dock is available in both high-strength composite and lightweight aluminum models. Our RAM customer base has diverse requirements and consists of Consumer, Commercial, Industrial and Military needs. For these reasons, people have come to expect more from RAM and once again, we deliver. With all the built in features you demand and even more that will surprise you, the Panasonic Tough Book never had it so good. Rock solid design no matter what the material, this dock offers port replication, Bluetooth, tamper proof lock, integrated screen support, and a look that says "bring it on!" Easily integrate the ultimate Tough Book accessory, the RAM Tough Dock, into your existing RAM system or buy a complete kit that includes in. Either way you will be getting a great product at an unbeatable price. Now Shipping!



Specifications

Compatible Panasonic® Model Numbers:

Toughbook CF-28, CF-29 & CF-30

Standard Features Include:

- 1 Serial Port (D-sub 9 pin)
- 1 Parallel Port (D-sub 25 pin)
- 1 External USB 2.0 ports (4 pin)
- 2 Internal USB 2.0 ports (4 pin)
- External Video (D-sub 15 pin)
- External Keyboard (Mini-DIN 6 pin)
- External Fuse Power Supply
- Enhanced Spring-Loaded Screen Support
- Easy Access External Power Switch
- Mouse (Mini-DIN 6 pin)
- Headphone/Speaker (stereo phono jack)
- Microphone (mono phono jack)
- Tamper Proof Lock
- High Strength Composite Enclosure
- 12-30 Volt DC Input
- Over current / Surge Protection
- Reverse Polarity Protection
- Radio Frequency Isolation

Optional Features Include:

- Internal GPS Engine
- Wireless Capable
- Bluetooth Enabled
- Internal Storage Device
- Heavy Duty Light-Weight Metal Enclosure
- Military Grade Construction
- Tamper Proof Lock
- High Strength Composite Enclosure
- 12-30 Volt DC Input
- Over current / Surge Protection
- Reverse Polarity Protection
- Radio Frequency Isolation

Product Number:
RAM-234-PAN1M (Metal Version)

Weight: 7.2 lbs.



Product Number:
RAM-234-PAN1P (Composite Version)

Weight: 4.5 lbs.



Attachment Connection Options:

RAM 3.68" Diameter Base with
1.5" Ball

Product Number:
RAM-240U



RAM 3.68" Diameter Base with
2.25" Ball

Product Number:
RAM-D-202U



Warranty Information:

- 2 year warranty on electrical parts
- Lifetime warranty on mechanical parts
- Lifetime warranty on all metal parts

RAM Tough Dock II™

GET TOUGH!™ Have a GETAC B300? Secure & Power it on a RAM Tough Dock II™

The RAM Tough Dock II™ will soon be available in both high-strength composite and lightweight aluminum models. Our RAM customer base has diverse requirements and consists of Consumer, Commercial, Industrial and Military needs. For these reasons, people have come to expect more from RAM and once again, we deliver. Rock solid design no matter what the material, this dock offers port replication, Bluetooth, tamper proof lock, integrated screen support, and a look that says "bring it on!" Easily integrate the GETAC Rugged Notebook with the RAM Tough Dock II™ into your existing RAM system or buy a complete kit. Either way you will be getting a great product at an unbeatable price.



Specifications

Compatible GETAC Model Numbers: B300 Rugged Notebook

Standard Features Include:

- 1 Serial Port (D-sub 9 pin)
- 1 Parallel Port (D-sub 25 pin)
- 1 External USB 2.0 ports (4 pin)
- 2 Internal USB 2.0 ports (4 pin)
- External Video (D-sub 15 pin)
- External Keyboard (Mini-DIN 6 pin)
- External Fuse Power Supply
- Enhanced Spring-Loaded Screen Support
- Easy Access External Power Switch
- Mouse (Mini-DIN 6 pin)
- Headphone/Speaker (stereo phono jack)
- Microphone (mono phono jack)
- Tamper Proof Lock
- High Strength Composite Enclosure
- 12-30 Volt DC Input
- Over current / Surge Protection
- Reverse Polarity Protection
- Radio Frequency Isolation

Optional Features Include:

- Internal GPS Engine
- Wireless Capable
- Bluetooth Enabled
- Internal Storage Device
- Heavy Duty Light-Weight Metal Enclosure
- Military Grade Construction
- Tamper Proof Lock
- High Strength Composite Enclosure
- 12-30 Volt DC Input
- Over current / Surge Protection
- Reverse Polarity Protection
- Radio Frequency Isolation

Product Number:
RAM-234-GET1M (Metal Version)

Weight: 7.2 lbs.



Product Number:
RAM-234-GET1P (Composite Version)

Weight: 4.5 lbs.



Attachment Connection Options:

RAM 3.68" Diameter Base with
1.5" Ball

Product Number:
RAM-240U



RAM 3.68" Diameter Base with
2.25" Ball

Product Number:
RAM-D-202U



Warranty Information:

- 2 year warranty on electrical parts
- Lifetime warranty on mechanical parts
- Lifetime warranty on all metal parts

RAM Tough Tray™

Patented & Patents Pending

The RAM Tough Tray™ is spring loaded expandable tray that can accommodate 10 to 17 inch wide laptops. The tray includes four (4) side clamping arm with rubber grip feature. These arms can be moved both vertically and horizontally. This allows for a custom fit for varying thicknesses of laptops and the freedom of not blocking ports or drives. Hole patterns on perimeter of tray facilitate the mounting of additional RAM systems to support GPS, PDAs or other electronics.

Product Number:

RAM-234-3

Material:

High Strength Composite

Weight:

2.76 lbs



Dimensions of the RAM Mount Laptop Tough Tray:

Tray Depth: 10.0"

Tray Thickness: 2 1/8"

Tray Width (Expansion): 10" to 16"

Side Clamp Arm Height: 0.5" (min) to 1.75" (max)

Mounting the RAM Mount Laptop Tough Tray:

The underside of the tray has the industry standard AMPS four (4) hole pattern. Included with the tray is the hardware to connect the tray to any of the RAM plates with the equal hole pattern. The RAM tough tray will connect to the RAM C (1.5" dia.) Ball Size and RAM D (2.25" dia.) Ball Size mounting systems.

Attachment Connection Options:

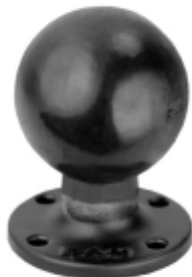
RAM 2.5" Diameter Base with
1.5" Ball

Product Number:
RAM-202U



RAM 2.5" Diameter Base with
2.25" Ball

Product Number:
RAM-D-254U



Expands to accommodate
10" to 17" wide laptops



RAM Holder For The General Dynamics GoBook® XR-1 Tablet PC Computer

RAM is your best choice for the General Dynamics GoBook® XR-1. Able to connect to the GoBook® XR-1 in seconds, RAM can get your rugged notebook exactly where you want it so it's easy to read and use. Order a complete kit and an extra base of your choosing and transfer the GoBook® XR-1 with ease to another location. Simple design that will not block or interfere with any function of the General Dynamics GoBook® XR-1.

Features:

1. Tamper Proof Lock
2. Full Port Accessibility

Product Number:

RAM-HOL-GEN1U

Attachment Connection Options:

RAM 2.8125" x 5" Base with
1.5" Ball

Product Number:

RAM-243U



RAM[®]

LAPTOP MOUNT ACCESSORIES



RAM Laptop Mount Accessories

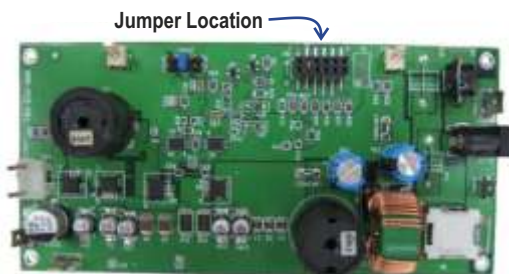
RAM Laptop Power Adaptor

The RAM Power Adaptor is a compact, easily integrated, and a simple solution to your power needs. Ideally suited to a wide variety of applications, 6 different voltage outputs can be achieved to make sure your device is getting exactly the right amount of juice. With a power input range of 12 to 28 volts DC, you're sure to find multiple uses for yet another great RAM accessory. Easy to read LED indicators, ON/OFF switch, replaceable fuse, and thread on input and output are just some of the design features that are sure to impress.

Product Number:
RAM-234-PB1U

PCB Voltage/Wattage Specifications:
Input voltage: 12-28V DC

Output voltage setting through jumper	Volt	Amps	Watts
Position 1	19.9V	5	80watts
Position 2	15.6V	5.1	80watts
Position 3	16V	5	80watts
Position 4	18.5V	4.3	80watts
Position 5	19V	4.2	80watts
Position 6	20V	4	80watts



RAM SAFE-N-SECURE™ Locking Laptop Mount & Accessories

Patented & Pat. Pend.

Until now, locking features on universal laptop holders have been hard to use or simply get in the way of typing. RAM has made all that just a memory with the new RAM SAFE-N-SECURE™ locking feature. Purchase your laptop mounting system with this option, add it on later, or integrate it into your existing system. No matter what you choose, you'll have one of the best theft deterrents available to keep your laptop where it belongs, with you. Using keyed locking knobs, this system operates easily and does not detract from the overall versatility you've come to love in your RAM Laptop Mount.



RAM SAFE-N-SECURE™ Laptop Mount shown with Three Locking Knobs, Double Swing Arm and Upper Tele-Pole™.

Product Number:
RAM-234-LK1U



RAM SAFE-N-SECURE™ Laptop Tough Tray™ shown with One Locking Knob.

Product Number:
RAM-234-LK2U



RAM SAFE-N-SECURE™ Laptop Mount shown with Four Locking Knobs. Locking Knob number "4" not viewable.

Product Number:
RAM-234-LKU

RAM Laptop Mount Accessories

RAM Laptop Screen Support

Screen Support with Spring Loaded Keeper allows it to travel smoothly with the screen through numerous viewing angles. Stores easily when not in use.

Product Number:
RAM-234-S2U



RAM Laptop USB Light

The RAM USB Light can easily be positioned to help you keep working long after the sun goes down.

Product Number:
RAM-234-LU



RAM Laptop Screen Support

Screen Support with Spring Loaded Keeper allows it to travel smoothly with the screen through numerous viewing angles. Stores easily when not in use.

Product Number:
RAM-234-S2U



RAM Laptop Flat Retaining Arm

The Universal Flat Retaining Arm can be positioned at the front of the tray to protect against the laptop being ejected if suddenly jarred. It also can allow the screen to be closed as needed.

Product Number:
RAM-234K1U



RAM Laptop (4 Qty) Retaining Arms

Side, Flat, Retaining Arms secure the laptop in place yet allow the screen to be closed as needed. These are fully adjustable both up and down and side to side. Includes four retaining arms.

Product Number:
RAM-234K1-4U



RAM Laptop Retaining Arm

The Universal Retaining Arm can be positioned at the front of the tray to protect against the laptop being ejected if suddenly jarred.

Product Number:
RAM-234KU



RAM Laptop Mount Accessories

RAM Laptop (4 Qty) Retaining Arms

Side Retaining Arms secure the laptop in place. These are fully adjustable both up and down and side to side. Includes four retaining arms.

Product Number:
RAM-234K-4U



RAM Power Caddy

The Power Caddy allows most any brand or combination of power supply to be contained alongside your laptop.

Dimensions:
Width = 2.75", Height = 7.75", Depth = 1.5"

Product Number:
RAM-234-5U



RAM Rear Seat Laptop Tray

A practical mobile solution for laptop computers: The RAM Back Seat Laptop Tray. Installs in seconds in any car, or truck back seat. Increase your mobile efficiency and comfort with the new RAM Laptop Tray.

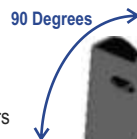
Product Number:
RAM-234-4



RAM TILT-N-TURN™ Motion Attachment For Vehicle Mounts

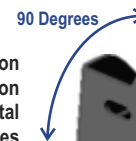
Pat. Pend.

While ball and socket mounts are what made RAM famous, offering customers versatile choices is what RAM is truly all about. Swing arm systems are an integral part of many RAM kits and building on their functionality and performance is taken very seriously. These two new models of Tilt-and-Turn bracket systems open up many new possibilities, all with the goal of making your work stations more comfortable and efficient. Able to support heavy electronics or docks, both components and complete kits are designed for rugged use. Knowing that this product has countless applications, numerous hole patterns are built right in making the Tilt-N-Turn exceptionally versatile. The AMPS, 90 degree AMPS, 75 x 75MM VESA, 2" x 4", and RAM's own three hole at 120 degrees take the guess work out of whether this product will work for you. Whether you have an existing RAM system and want to integrate this product, or simply need the best mounting system available, consider RAM and yet another ergonomic product; this time with the Tilt-and-Turn feature.



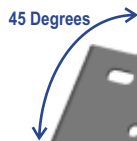
Vertical Tilt-N-Turn Motion Attachment with single swing arm. Range of motion tilts 90 degrees from horizontal to vertical and turns 360 degrees Vertical Applications For Tablets & Displays.

Product Number:
RAM-VB-TNT90-1



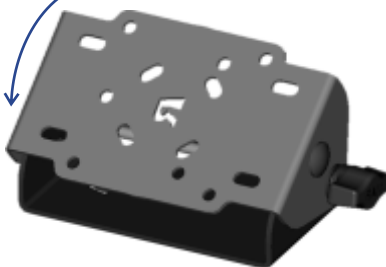
Vertical Tilt-N-Turn Motion Attachment. Range of motion tilts 90 degrees from horizontal to vertical and turns 360 degrees Vertical Applications For Tablets & Displays.

Product Number:
RAM-VB-TNT90



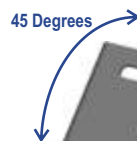
Vertical Tilt-N-Turn Motion Attachment. Range of motion tilts 45 degrees from horizontal to vertical and turns 360 degrees Vertical Applications For Tablets & Displays.

Product Number:
RAM-VB-TNT45



Vertical Tilt-N-Turn Motion Attachment with single swing arm. Range of motion tilts 45 degrees from horizontal to vertical and turns 360 degrees Vertical Applications For Tablets & Displays.

Product Number:
RAM-VB-TNT45-1

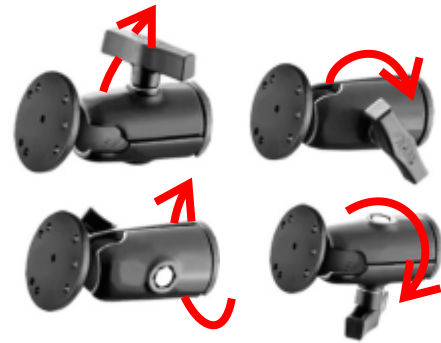


RAM Laptop Mount Accessories

RAM Swing Arm With Swivel Socket Mounts

Patented

Quality products can make all the difference in the quality of your work. The new RAM swing arm with swivel feature affords the user unsurpassed comfort when using the keyboard or accessing any mounted device. This ingenious design means no awkward angles when typing or viewing regardless of your size or mounting location. When it comes to the science of ergonomics, RAM has it down pat. Soon to be incorporated into numerous RAM systems, this feature will be available for both 2.25" and 1.5" ball sizes.



Rotate 360 Degrees

RAM 1.5" Socket Ball Size, Single Swing Arm without Ball

Product Number:
RAM-VB-110-2U



RAM 1.5" Socket Ball Size, Double Swing Arm with Swivel Socket Mount

Product Number:
RAM-VB-110-1U



RAM 1.5" Socket Ball Size, Double Swing Arm with Curved Arm & Swivel Socket Mount

Product Number:
RAM-VB-110-6U



RAM 1.5" Socket Ball Size, Double Swing Arm without Ball or Tele-Pole

Product Number:
RAM-VB-110-4U



RAM 1.5" Socket Ball Size, RAM Single Swing Arm with Swivel Socket Mount

Product Number:
RAM-VB-110-5U



RAM 2.25" Socket Ball Size, Double Swing Arm with Swivel Socket Mount & 2.5" Round Base

Product Number:
RAM-VB-D-110-1-254U



RAM 2.25" Socket Ball Size, Double Swing Arm with Swivel Socket Mount & 3.68" Round Base

Product Number:
RAM-VB-D-110-1U



RAM 2.25" Socket Ball Size, Single Swing Arm with Swivel Socket Mount & 3.68" Round Base

Product Number:
RAM-VB-D-110-2U



RAM[®]

LAPTOP MOUNT
RISERS, POLES
& TELE-POLES



RAM Laptop Mount Risers, Poles & Tele-Poles

RAM Laptop Base 4" Riser

Product Number:
RAM-VB-SB4



RAM Laptop Base 7" Riser

Product Number:
RAM-VB-SB7



RAM Remove-A-Pole Quick Disconnect Adaptor For Laptop Tele-Pole Systems

Product Number:
RAM-VB-REM1



RAM Adjust-A-Pole Adapter, Allowing For Perfect Laptop Placement

Product Number:
RAM-VB-ADJ1



RAM 12" Tele-Pole Top Male Base With Flange

Product Number:
RAM-VP-TTMF12U



RAM 8" Tele-Pole Top Male Base With Flange

Product Number:
RAM-VP-TTMF8U



RAM 4" Tele-Pole Top Male Base With Flange

Product Number:
RAM-VP-TTMF4U



RAM 12" Tele-Pole Top Male Base

Product Number:
RAM-VP-TTM12U



RAM 8" Tele-Pole Top Male Base

Product Number:
RAM-VP-TTM8U



RAM Laptop Mount Risers, Poles & Tele-Poles

RAM 4" Tele-Pole Top Male Base

Product Number:
RAM-VP-TTM4U



RAM 18" Tele-Pole Bottom Female Base

Product Number:
RAM-VP-TBF18U



RAM 12" Tele-Pole Bottom Female Base

Product Number:
RAM-VP-TBF12U



RAM 9" Tele-Pole Bottom Female Base

Product Number:
RAM-VP-TBF9U



RAM 7" Tele-Pole Bottom Female Base

Product Number:
RAM-VP-TBF7U



RAM 5" Tele-Pole Bottom Female Base

Product Number:
RAM-VP-TBF5U



RAM 24" Pole Bottom Male Base

Product Number:
RAM-VP-TBM24U



RAM 18" Pole Bottom Male Base

Product Number:
RAM-VP-TBM18U



RAM 12" Pole Bottom Male Base

Product Number:
RAM-VP-TBM12U



RAM 9" Pole Bottom Male Base

Product Number:
RAM-VP-TBM9U



RAM[®]

PRINTER MOUNTS



RAM Printer Mounts

RAM Printer Holder for the
PENTAX PocketJet 3 Plus

Product Number:
RAM-VPR-101



RAM Printer Holder, Tele-Pole
Clamp Mount For The
PENTAX PocketJet 3 Plus

Product Number:
RAM-VPR-101-1



RAM Printer Holder for Canon
BJC-85 Portable Printers

Product Number:
RAM-VPR-102



RAM Printer Holder, Tele-Pole
Clamp Mount for Canon BJC-
85 Portable Printers

Product Number:
RAM-VPR-102-1



RAM Printer Holder for HP
DeskJet 450 Portable Printers

Product Number:
RAM-VPR-103



RAM Printer Holder, Tele-Pole
Clamp Mount for HP DeskJet
450 Portable Printers

Product Number:
RAM-VPR-103-1



RAM Contact Information

To request additional information or determine the best mounting method for your equipment, contact us through any of the following methods:

National Products, Inc

Phone: 206-763-8361

Fax: 206-763-9615

Website: www.ram-mount.com

Email: staff@ram-mount.com



12

JUST RAM IT!®

Sold Through Dealers, Re-Seller Programs Available WWW.RAM-MOUNT.COM 1-800-497-7479

