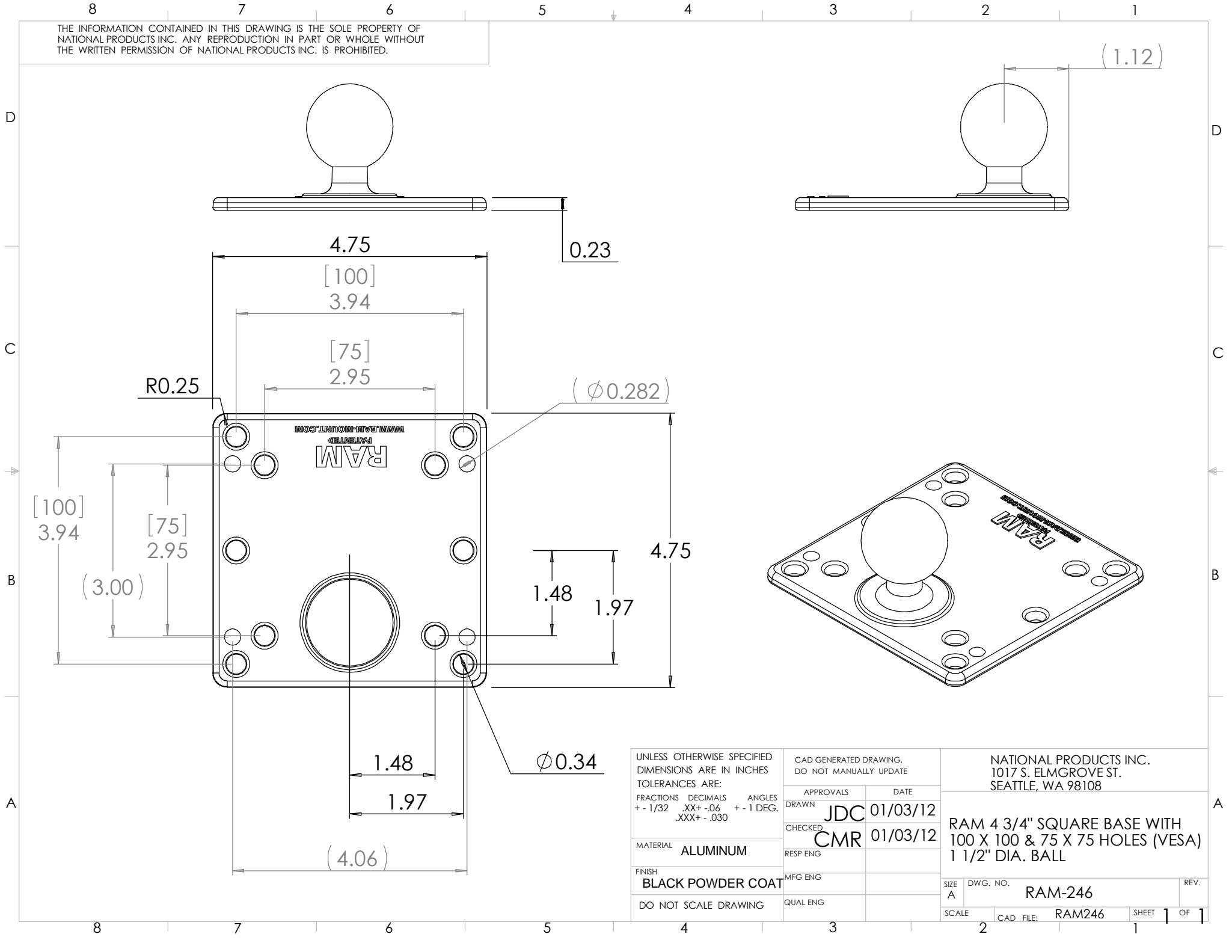


THE INFORMATION CONTAINED IN THIS DRAWING IS THE SOLE PROPERTY OF NATIONAL PRODUCTS INC. ANY REPRODUCTION IN PART OR WHOLE WITHOUT THE WRITTEN PERMISSION OF NATIONAL PRODUCTS INC. IS PROHIBITED.



UNLESS OTHERWISE SPECIFIED
DIMENSIONS ARE IN INCHES
TOLERANCES ARE:
FRACTIONS DECIMALS ANGLES
+ - 1/32 .XX+ -.06 + - 1 DEG.
.XXX+ -.030

CAD GENERATED DRAWING, DO NOT MANUALLY UPDATE	
APPROVALS	DATE
DRAWN JDC	01/03/12
CHECKED CMR	01/03/12
RESP ENG	
MFG ENG	
QUAL ENG	

NATIONAL PRODUCTS INC.
1017 S. ELMGROVE ST.
SEATTLE, WA 98108

**RAM 4 3/4" SQUARE BASE WITH
100 X 100 & 75 X 75 HOLES (VESA)
1 1/2" DIA. BALL**

SIZE A	DWG. NO. RAM-246	REV.
SCALE	CAD FILE: RAM246	SHEET 1 OF 1

MATERIAL **ALUMINUM**

FINISH **BLACK POWDER COAT**

DO NOT SCALE DRAWING